

Colson

Industries Ltd

Valve Catalogue 2008-01



HEAD OFFICE & MANUFACTURING
Park Works, Park Road, ELLAND, West Yorkshire, HX5 9HN, England

Tel +44 (0) 845 094 3780

Fax +44 (0) 845 094 3790



Registration No
10049584



API PR-2
Subsea
Certified

Fire Tested to
BS 6755/2 & API 6D



Certificate No LRQ
0960294

Email Address :- sales@colson.co.uk Skype :- Colsonsales Web Address :- www.colson.co.uk



Global Supply Line - Australian Colson agent & stockist
Contact us: sales@globalsupplyline.com.au, Website: www.globalsupplyline.com.au

Ball Valve Options

BvOpt

BALL Valve Options

Pointer Handle [-PH]



Space saving handle that has been ergonomically designed to be fitted comfortably into the hand for ease of use.

Now Available in 316 Stainless Steel Option [-TH]

Space saving handle that has been ergonomically designed to be fitted comfortably into the hand for ease of use.



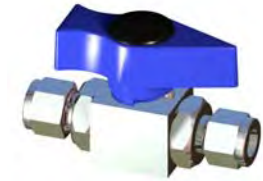
Lockable Lever Handle [-LK]



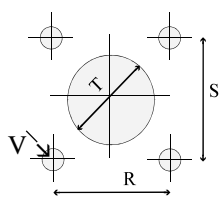
Anti-Tamper/ Security Unit [Lever Handles Only]. Padlocks can be supplied.

Compression Ended Valves [-C]

The versatility of the 'BH' Series valves allows the end connectors to be supplied with either SINGLE or TWIN Ferrule compression fittings for tube. Metric or Imperial.



Panel Mounting [-PM]



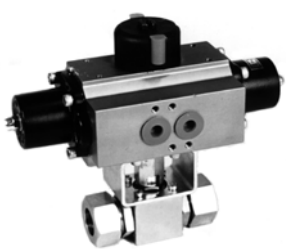
Available on all the 'BH' Series and it's derivatives. **Maximum panel thickness is 3mm for standard kits.** Thicker panels can be catered for.

Extended Lever Handle [-EL]

A simple way of extending the handles for clearance above insulation or lagging of pipework or just to place the handle into a more accessible position - [Lever Handles Only]



Actuator Mounting [-ACT]



Available on all the 'BH' Series and it's derivatives. Valves are supplied excluding handle but include 2 off belleville washers and tabwasher for stability.

Body Cavity Vent / Downstream Exhaust [-VC / -VX]

-VC Body Vent Option

DESIGNED to prevent the build up of pressure or for venting the body cavity for cleaning when using semi solids in the pipeline.

-VX Downstream Venting Option

DESIGNED to prevent the locking in of pressure in a system that may cause a machine to operate. The downstream vent is always open to atmosphere when the valve is in the closed position, venting the downstream pressure and rendering the system 'Fail-safe'.

We reserve the right to change specifications stated in this leaflet due to our continuing programme of development.

'BH' Series BALL VALVES

1,000 psi [Pn 68] Rated 6,000 psi [Pn 408] Rated

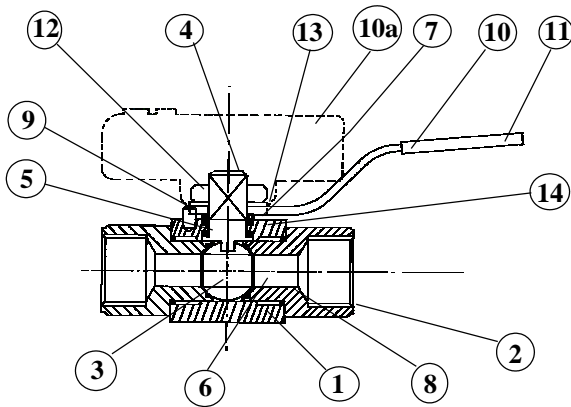
DESIGN FEATURES

- * Robust HIGH pressure design
- * Internally loaded blow-out proof stem
- * Floating ball for positive shut-off
- * LOW operating torque
- * Smooth 1/4 turn action
- * Flexible 3 piece design
- * 316 ss to NACE specification
- * Wide range of end connections
- * Replaceable seats & seals
- * Ease of maintenance
- * Full material traceability
- * Choice of lever or pointer handles
- * Panel mounting option
- * Can be easily actuated
- * Locking kit available

3 Piece



MATERIALS of CONSTRUCTION - 316 Stainless Steel



ITEM	COMPONENT	MATERIAL
1	BODY	316 S 11 *
2	END CONNECTORS	316 S 11 *
3	BALL	316 S 11 *
4	STEM	316 S 11 *
5	STEM SEAL	RTFE
6	SEATS	PTFE / PVDF
7	TOP SEAL	RTFE
8	BODY SEAL	PTFE
9	PIN	STAINLESS STEEL
10	LEVER HANDLE	STAINLESS STEEL
10	POINTER HANDLE	MAZAK 3
11	HANDLE SLEEVE	PVC
12	NUT	A4 ss
13	WASHER	A4 ss
14	SPACER	316 SS

Sample Part Number **BHSP1015NFS-LK**

1/2" NPT Female 316 St. St. Ball Valve, 10mm Bore - 6,000 psi/Pn 408 Rated fitted with Lever handle and Locking Kit.

VALVE PART NUMBER and ORDERING TABLE

Valve Series	Bore	Size	Threads	* Material	Handle	Options
BHSA 1,000 psi/Pn 68	10	08 - 1/4"	NF - NPT Female NM - NPT Male PF - BSPP Female PM - BSPP Male TF - BSPT Female TM - BSPT Male	A - Ali-Bronze C - C/Steel D - 31803 Duplex H - Hasteloy I - Incoloy J - 6MO M - Monel S - 316 SS T - Titanium U - 32760 S.Duplex	-PH Pointer -TH StSt 'T' Handle	-SR Spring Return -DA Double Acting -EA Electric -PM Panel Mount -Lk Locking -ACT Actuator use -EP Ends Pinned
		10 - 3/8"				
		15 - 1/2"				
* BHSP 6,000 psi/Pn408	13	20 - 3/4"				
		19				
		25				
		32				
	38	40 - 1 1/2"				
		50 - 2"				

All Valves have Stainless Steel Lever Handles as standard.

* Note that valves above 1" are downrated i.e. 1 1/4" is 4,000psi, 1 1/2" & 2" are 3,000psi maximum.

Valve Part Number for FULL BORE - USE BORE size equal to thread size e.g. BHSA1925NFS becomes BHSA2525NFS.

BHseries - 01/08

Colson
Industries Ltd

Website: www.colson.co.uk

e-mail: sales@colson.co.uk



Certificate No L RQ 0960294
ISO 9001 Registered

Park Works, Park Road,
ELLAND. West Yorkshire.
HX5 9HN - England

Tel +44 (0) 845 094 3780
Fax +44 (0) 845 094 3790

'BHSX' Series HIGH PRESSURE Ball Valves

10,000 psi [Pn 680] Rated

BH-X

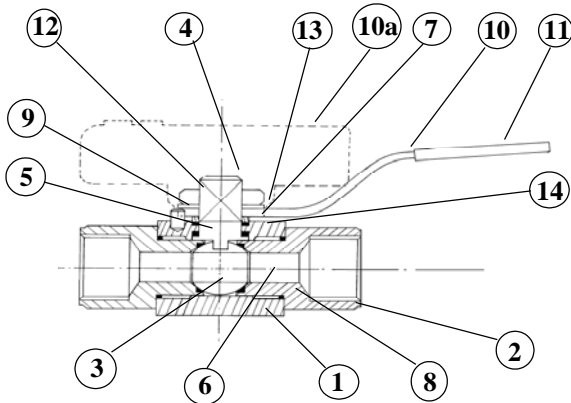
DESIGN FEATURES

- * Robust HIGH pressure design
- * Internally loaded blow-out proof stem
- * Floating ball for positive shut-off
- * LOW operating torque
- * Smooth 1/4 turn action
- * Flexible 3 piece design
- * 316 ss to NACE specification
- * Range of end connections
- * Replaceable seats & seals
- * Ease of maintenance
- * Full material traceability
- * Choice of lever or pointer handles
- * Panel mounting option
- * Can be easily actuated
- * Locking kit available

3 Piece



MATERIALS of CONSTRUCTION - 316 Stainless Steel



ITEM	COMPONENT	MATERIAL
1	BODY	316 S 11 *
2	END CONNECTORS	316 S 11 *
3	BALL	316 S 11 *
4	STEM	316 S 11 *
5	STEM SEAL	PVDF
6	SEAT	PEEK
7	TOP SEAL	RTFE
8	BODY SEALS	PTFE/VITON
9	PIN	STAINLESS STEEL
10	LEVER HANDLE	STAINLESS STEEL
10	POINTER HANDLE	MAZAK 3
11	HANDLE SLEEVE	PVC
12	NUT	A4 ss
13	WASHER	A4 ss
14	SPACER	316 SS

Sample Part Number BHSX1015NFS

1/2" NPT 316 St. St. Ball Valve, 10mm Bore - 10,000 psi/Pn 680 Rated fitted with Lever handle.

VALVE PART NUMBER and ORDERING TABLE						
Valve Series	Bore	Size	Threads	* Material	Handle	Options
BHSX 10,000 psi/Pn680	10	08 - 1/4"	NF - NPT Female NM - NPT Male PF - BSPP Female PM - BSPP Male TF - BSPT Female TM - BSPT Male	D - 31803 Duplex H - Hasteloy J - 6Mo M - Monel S - 316 SS T - Titanium U - 32760 S.Duplex	-TH StSt 'T' Handle -PH Pointer	-SR Spring Return -DA Double Acting -EA Electric -PM Panel Mount -LK Locking -ACT Actuator use
		10 - 3/8"				
	15 - 1/2"					
	13	20 - 3/4"				
	19	25 - 1"				

Valve Part Number for FULL BORE - USE BORE size equal to thread size e.g. BHSX1015NFS
All Valves have Stainless Steel Lever Handles as standard.

BHXseries - 01/08

Colson
Industries Ltd

Website: www.colson.co.uk

e-mail: sales@colson.co.uk



Certificate No LRQ 0960294
ISO 9001 Registered

Park Works, Park Road,
ELLAND, West Yorkshire.
HX5 9HN - England

Tel +44 (0) 845 094 3780
Fax +44 (0) 845 094 3790

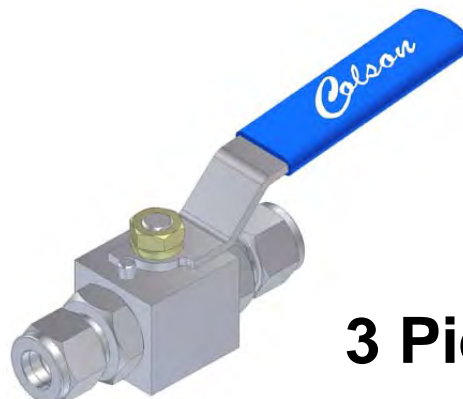
'BH' Series Compend BALL VALVES

1,000 psi [Pn 68] Rated 6,000 psi [Pn 408] Rated

Compression Ended Valves

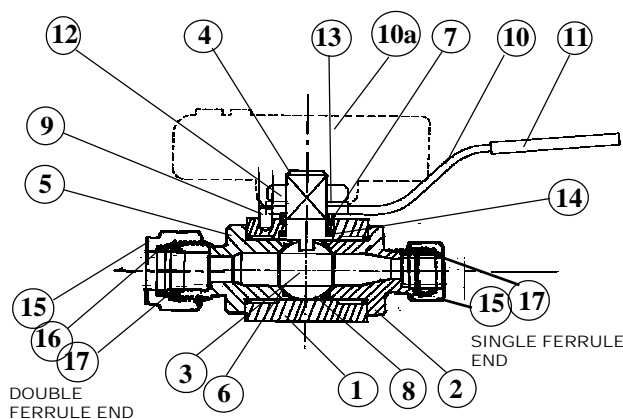
DESIGN FEATURES

- * Robust HIGH pressure design
- * Internally loaded blow-out proof stem
- * Floating ball for positive shut-off
- * LOW operating torque
- * Smooth 1/4 turn action
- * Flexible 3 piece design
- * 316 ss to NACE specification
- * Twin Ferrule end connections - Metric . or Imperial tube sizes
- * Replaceable seats & seals
- * Ease of maintenance
- * Full material traceability
- * Choice of lever or pointer handles
- * Panel mounting option
- * Can be easily actuated
- * Locking kit available



3 Piece

MATERIALS of CONSTRUCTION - 316 Stainless Steel



ITEM	COMPONENT	MATERIAL
1	BODY	316 S 11 *
2	END CONNECTORS	316 S 11 *
3	BALL	316 S 11 *
4	STEM	316 S 11 *
5	STEM SEAL	RTFE
6	SEATS	PTFE / PVDF
7	TOP SEAL	RTFE
8	BODY SEAL	PTFE
9	PIN	STAINLESS STEEL
10	LEVER HANDLE	STAINLESS STEEL
10a	POINTER HANDLE	MAZAK 3
11	HANDLE SLEEVE	PVC
12	NUT	A4 ss
13	WASHER	A4 ss
14	SPACER	316 SS
15	NUT	316 SS
16	Ferrule Back	316 SS
17	Ferrule Front	316 SS

Sample Part Number BHSP1015C2S

1/2"O.D 316 St. St. Ball Valve, 10mm Bore - 6,000psi/Pn 408 Rated fitted with Lever handle.

VALVE PART NUMBER and ORDERING TABLE

Valve Series	Bore	Size Metric Imperial	End Style	* Material	Handle	Options
BHSA 1,000 psi/Pn 68	10	08 - 1/4" 10 - 3/8" 15 - 1/2"	C1 - 1 FERRULE Imp C2 - 2 FERRULE Imp	A - Ali-Bronze D - 31803 Duplex H - Hasteloy I - Incoloy M - Monel S - 316 SS T - Titanium U - 32760 S.Duplex	-PH Pointer -TH StSt 'T' Handle	-SR Spring Return -DA Double Acting -EA Electric -PM Panel Mount -Lk Locking -ACT Actuator use -EP Ends Pinned
* BHSP 6,000 psi/Pn408	13 19	20 - 3/4" 25 - 1"	DS - Din 'S' Metric DL - Din 'L' Metric M2 - 2 FERRULE Metric			

Valve Part Number for FULL BORE - USE BORE size equal to thread size e.g. BHSP1015C2S Becomes BHSP1315C2S
All Valves have Stainless Steel Lever Handles as standard.

BHCseries - 01/08

Colson
Industries Ltd

Website: www.colson.co.uk

e-mail: sales@colson.co.uk



Certificate No LQR 0960294
ISO 9001 Registered

Park Works, Park Road,
ELLAND, West Yorkshire.
HX5 9HN - England

Tel +44 (0) 845 094 3780
Fax +44 (0) 845 094 3790

'BS-BB' Series-3 WAY BALL VALVES

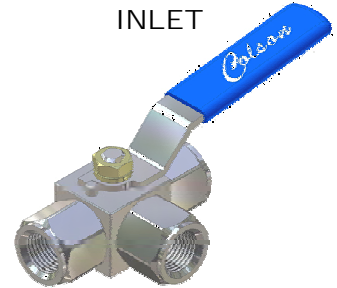
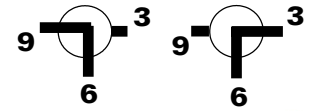
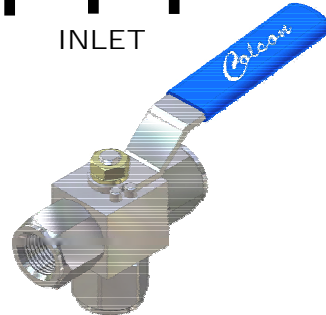
BS
BB

1,000 psi [Pn 68] Rated 6,000 psi [Pn 408] Rated

DESIGN FEATURES

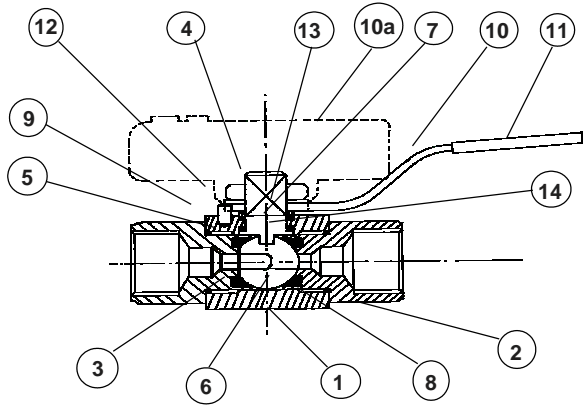
- * Robust HIGH pressure design
- * Internally loaded Blow-out proof stem
- * Floating ball for positive shut-off
- * Flow diversion - Side Entry
- * Divert & Isolate - Bottom Entry
- * Low operating torque
- * Smooth 1/4 turn action
- * Flexible 3 piece design
- * 316 ss to NACE Specification
- * Wide range of end connections
- * Replaceable seats & seals
- * Ease of maintenance
- * Full material traceability
- * Choice of Lever or Pointer Handles
- * Panel Mounting Option
- * Can be easily actuated
- * Locking Kit available

Bottom Entry - Divert & Isolation



Side Entry - Flow Diversion

MATERIALS of CONSTRUCTION - 316 Stainless Steel



ITEM	COMPONENT	MATERIAL
1	BODY	316 S 11 *
2	END CONNECTORS	316 S 11 *
3	BALL	316 S 11 *
4	STEM	316 S 11 *
5	STEM SEAL	RTFE
6	SEATS	PTFE / PVDF
7	TOP SEAL	RTFE
8	BODY SEAL	PTFE
9	PIN	STAINLESS STEEL
10	LEVER HANDLE	STAINLESS STEEL
10a	POINTER HANDLE	MAZAK 3
11	HANDLE SLEEVE	PVC
12	NUT	A4 ss
13	WASHER	A4 ss
14	SPACER	316 SS

Sample Part Number **BSSA1015NFS**

1/2" NPT 316 St. St.Side Entry 3 way Ball Valve 10mm Bore - 1,000 psi/Pn 68 Rated fitted with Lever handle.

VALVE PART NUMBER and ORDERING TABLE						
Valve Series	Bore	Size	Threads	* Material	Handle	Options
SIDE ENTRY BSSA 1,000 psi/Pn68 BSSP 6,000	10	08 - 1/4"	NF - NPT Female PF - BSPP Female TF - BSPT Female	D - 31803 Duplex H - Hasteloy I - Incoloy J - 6MO M - Monel S - 316 SS U - 32760 S.Duplex T - Titanium	-PH Pointer -TH 316ss 'T' Handle	-SR Spring Return -DA Double Acting -EA Electric -PM Panel Mount -LK Locking -ACT Actuator use -EP Ends Pinned
		10 - 3/8"				
		15 - 1/2"				
BOTTOM ENTRY BBSA 1,000 psi/Pn 68 BBSP 6,000 psi/Pn 408	13	20 - 3/4"				
		19	25 - 1"			

Valve Part Number for FULL BORE - USE BORE size equal to thread size e.g. BSSA1015NFS
All valves have Stainless Steel Lever Handles as standard.

BSSseries - 03/09

Note:- On inserted 3rd ports-DO NOT attempt to remove this port as seat damage will occur.



Website: www.colson.co.uk

e-mail: sales@colson.co.uk



Certificate No LRQ 0960294
ISO 9001 Registered

Park Works, Park Road,
ELLAND. West Yorkshire.
HX5 9HN - England

Tel +44 (0) 845 094 3780
Fax +44 (0) 845 094 3790

'BM-BN' Series-3 WAY Multi Inlet VALVES

BM
BN

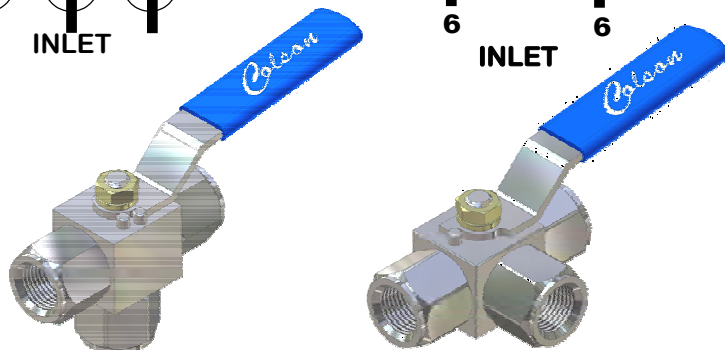
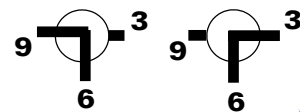
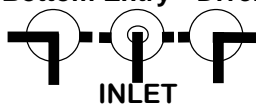
MULTI Inlet
6,000 psi [Pn 408] Rated

3
Way

DESIGN FEATURES

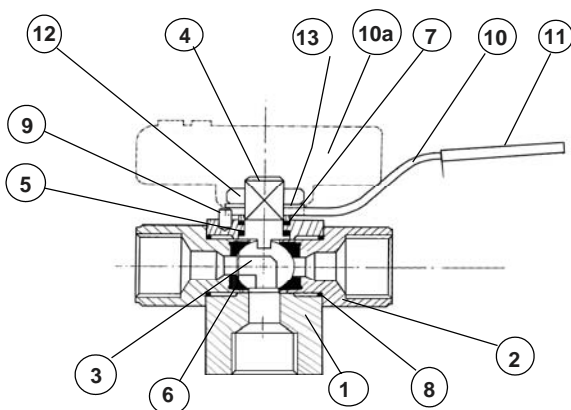
- * Robust HIGH pressure design
- * MULTI Inlet Design for Max Pressure differential across the ports
- * Internally loaded Blow-out proof stem
- * Floating ball and Seats - positive shut-off
- * Flow diversion - Side Entry
- * Divert & Isolate - Bottom Entry
- * Low operating torque
- * Flexible 3 piece design
- * 316 ss to NACE Specification
- * Wide range of end connections
- * Replaceable seats & seals
- * Ease of maintenance
- * Full material traceability
- * Panel Mounting Option
- * Can be easily actuated
- * Locking Kit available

Bottom Entry - Divert & Isolation



Side Entry - Flow Diversion

MATERIALS of CONSTRUCTION - 316 Stainless Steel



ITEM	COMPONENT	MATERIAL
1	BODY	316 S 11 *
2	END CONNECTORS	316 S 11 *
3	BALL	316 S 11 *
4	STEM	316 S 11 *
5	STEM SEAL	RTFE
6	SEAT	PVDF
7	TOP SEAL	RTFE
8	BODY SEAL	PTFE
9	PIN	STAINLESS STEEL
10	LEVER HANDLE	STAINLESS STEEL
10a	POINTER HANDLE	MAZAK 3
11	HANDLE SLEEVE	PVC
12	NUT	A4 ss
13	WASHER	A4 ss
14	SPACER	316 SS
15	SEAT ENERGISER	VITON

Sample Part Number **BMSP0615NFS**

1/2" NPT 316 St. St.Side Entry Multi Inlet 3 way Ball Valve 6mm Bore - 6,000 psi/Pn 408 Rated Lever handle.

VALVE PART NUMBER and ORDERING TABLE						
Valve Series	Bore	Size	Threads	* Material	Handle	Options
SIDE ENTRY BMSP 6,000 psi/Pn408 BMIP	06	08 - 1/4"	NF - NPT Female PF - BSPP Female TF - BSPT Female	D - 31803 Duplex H - Hasteloy I - Incoloy J - 6MO M - Monel S - 316 SS T - Titanium U - 32760S.Duplex	-PH Pointer -TH StSt 'T' Handle	-SR Spring Return -DA Double Acting -EA Electric -PM Panel Mount -LK Locking -ACT Actuator use -EP Ends Pinned
BOTTOM ENTRY BNSP		10 - 3/8"				
6,000 psi/Pn408 BNIP		15 - 1/2"				

Note:- On inserted 3rd ports- DO NOT attempt to remove this port as seat damage will occur.
All Valves have Stainless Steel Lever Handles as standard.

BM-Nseries - 01/08



Website: www.colson.co.uk

e-mail: sales@colson.co.uk



Certificate No LRQ 0960294
ISO 9001 Registered

Park Works, Park Road,
ELLAND. West Yorkshire.
HX5 9HN - England

Tel +44 (0) 845 094 3780
Fax +44 (0) 845 094 3790

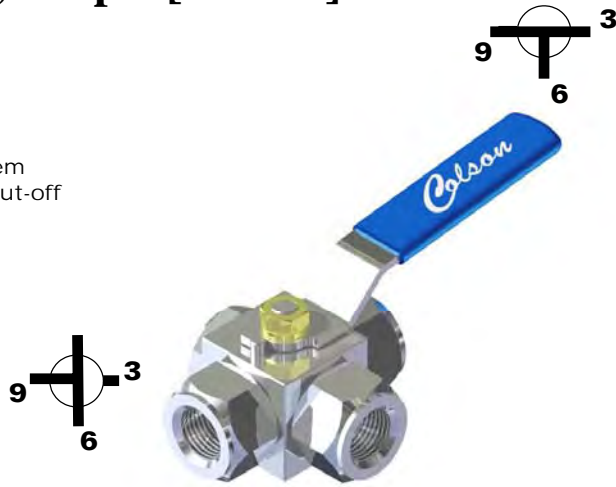
BT-A
BT-P

'BT' Series - 3 WAY 'T' Port Ball Valves

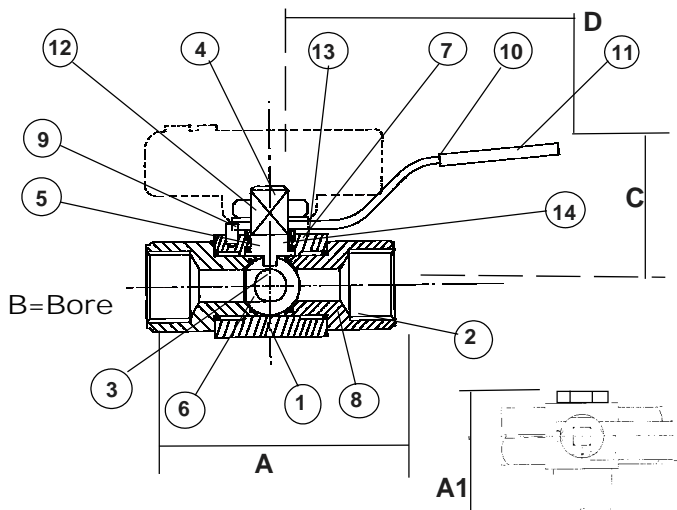
1,000 psi [Pn 68] Rated 6,000 psi [Pn 408] Rated

DESIGN FEATURES

- * Robust HIGH pressure design
- * 'T' Port Design for flexibility
- * Internally loaded Blow-out proof stem
- * Floating ball and Seats - positive shut-off
- * Flow diversion or Isolation
- * Low operating torque
- * Flexible 3 piece design
- * 316 ss to NACE Specification
- * Wide range of end connections
- * Replaceable seats & seals
- * Ease of maintenance
- * Full material traceability
- * Panel Mounting Option
- * Can be easily actuated
- * Locking Kit available



MATERIALS of CONSTRUCTION - 316 Stainless Steel



ITEM	COMPONENT	MATERIAL
1	BODY	316 S 11
2	END CONNECTORS	316 S 11
3	BALL	316 S 11
4	STEM	316 S 11
5	STEM SEAL	RTFE
6	SEATS	PTFE/PVDF
7	TOP SEAL	RTFE
8	BODY SEAL	PTFE
9	PIN	STAINLESS STEEL
10	LEVER HANDLE	STAINLESS STEEL
11	HANDLE SLEEVE	PVC
12	NUT	A4 ss
13	WASHER	A4 ss
14	SPACER	316 SS
15	SEAT ENERGISER	VITON

Valve Size	A	A1	B	C	D
08 - 1/4"	80	69.5	6	50	115
10 - 3/8"	80	69.5	6	50	115
15 - 1/2"	90	74.5	6	50	115

Sample Part Number BTSP0608NFS

1/4" NPT 316 St St 3 Way Ball Valve, 6mm Bore -6000 psi/Pn 408 Rated fitted with Lever Handle.

VALVE PART NUMBER and ORDERING TABLE						
Valve Series	Bore	Size	Threads	* Material	Handle	Options
BTSA 1,000 psi/Pn 68	06	08 - 1/4"	NF - NPT Female PF - BSPP Female TF - BSPT Female	D - 31803Duplex H - Hasteloy I - Incoloy J - 6MO M - Monel S - 316 SS T - Titanium U - 32760 S.Duplex	-TH 316ss 'T' Handle	-LK Locking -ACT Actuator use -EP Ends Pinned
BTSP		10 - 3/8"				
6,000 psi/Pn408		15 - 1/2"				

All Valves have Stainless Steel Lever Handles as standard.

BTseries - 02/09



Website: www.colson.co.uk

e-mail: sales@colson.co.uk



Certificate No LRQ 0960294
ISO 9001 Registered

Park Works, Park Road,
ELLAND. West Yorkshire.
HX5 9HN - England

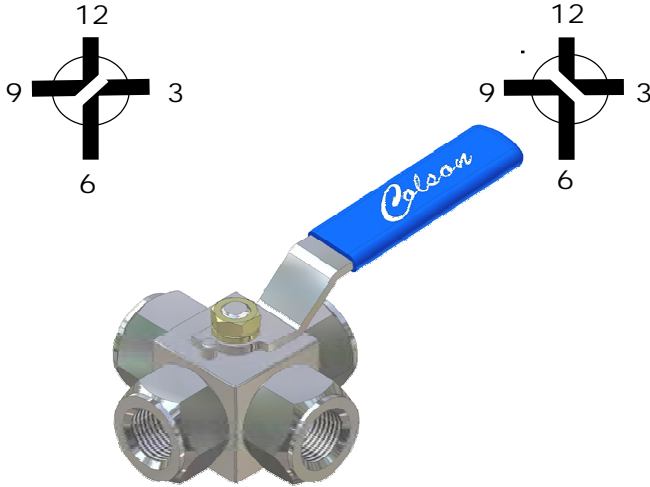
Tel +44 (0) 845 094 3780
Fax +44 (0) 845 094 3790

B4-A
B4-S

'B4' Series - 4 WAY BALL VALVES

1,000 psi [Pn 68] Rated

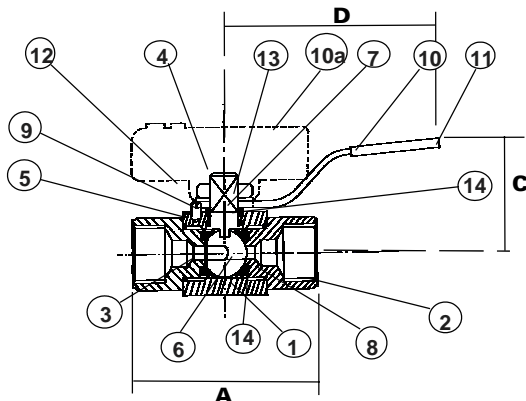
3,000 psi [Pn 204] Rated



DESIGN FEATURES

- * Robust HIGH pressure design
- * Internally loaded Blow-out proof stem
- * Ball/seats Float for positive shut-off
- * Flow diversion - 3-6 & 9-12 / 6-9 & 12-3
- * Low operating torque
- * Smooth 1/4 turn action
- * Flexible 3 piece design
- * 316 ss to NACE Specification
- * Wide range of end connections
- * Replaceable seats & seals
- * Ease of maintenance
- * Full material traceability
- * Choice of Lever or Pointer Handles
- * Panel Mounting Option
- * Can be easily actuated
- * Locking Kit available

MATERIALS of CONSTRUCTION - 316 Stainless Steel



Ball Bore = 5mm 'A'=Length 'A1'=Width [Back to Front]

ITEM	COMPONENT	MATERIAL
1	BODY	316 S 11 *
2	END CONNECTORS	316 S 11 *
3	BALL	316 S 11 *
4	STEM	316 S 11 *
5	STEM SEAL	RTFE
6	SEATS	PTFE / PVDF
7	TOP SEAL	RTFE
8	BODY SEAL	PTFE
9	PIN	STAINLESS STEEL
10	LEVER HANDLE	STAINLESS STEEL
10a	POINTER HANDLE	MAZAK 3
11	HANDLE SLEEVE	PVC
12	NUT	A4 ss
13	WASHER	A4 ss
14	SPACER	316 SS
15	SEAT SEAL	VITON

Valve Size	A	A1	B	C	D
08 - 1/4"	80	81	5	50	115
10 - 3/8"	80	81	5	50	115
15 - 1/2"	90	91	5	50	115

Sample Part Number **B4SA0510NFS**

3/8" NPT 316 St St 4 Way Ball Valve, 5mm Bore - 1000 psi/Pn 68 Rated fitted with Lever Handle.

VALVE PART NUMBER and ORDERING TABLE						
Valve Series	Bore	Size	Threads	* Material	Handle	Options
B4SA 1,000 psi/Pn 68	05	08 - 1/4"	NF - NPT Female PF - BSPP Female TF - BSPT Female	D - 31803 Duplex H - Hasteloy M - Monel S - 316 SS	-PH Pointer -TH StSt 'T' Handle	-PM Panel Mount -LK Locking -ACT Actuator use -EP Ends Pinned
B4SS 3,000 psi/Pn204		10 - 3/8"				
	15 - 1/2"					

All Valves have Stainless Steel Lever Handles as standard.

B4series - 02/09



Website: www.colson.co.uk

e-mail: sales@colson.co.uk



Certificate No L R Q 0960294
ISO 9001 Registered

Park Works, Park Road,
ELLAND, West Yorkshire.
HX5 9HN - England

Tel +44 (0) 845 094 3780
Fax +44 (0) 845 094 3790

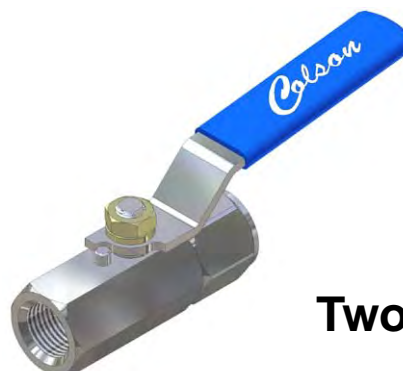
'BD' SERIES BALL VALVES

1,000psi [Pn 68] Rated

3,000/6,000 psi [Pn 204/408] Rated

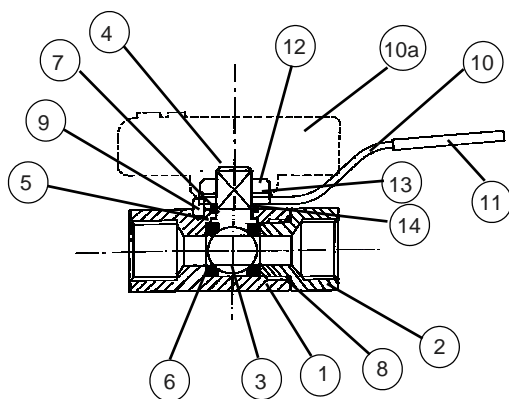
DESIGN FEATURES

- * Robust TWO piece design
- * Internally loaded Blow-out proof stem
- * Floating ball for positive shut-off
- * Low operating torque
- * Smooth 1/4 turn action
- * 316 ss to NACE Specification
- * Different end connections available
- * Maintenance free
- * Full material traceability
- * Choice of Lever, Pointer or 'T' Handles
- * Designed for economy
- * Locking Kit available



Two Piece

MATERIALS of CONSTRUCTION - 316 Stainless Steel



ITEM	COMPONENT	MATERIAL
1	BODY	316 S 11
2	END CONNECTOR	316 S 11
3	BALL	316 S 11
4	STEM	316 S 11
5	STEM SEAL	RTFE
6	SEATS	PTFE / PVDF
7	TOP SEAL	RTFE
8	BODY SEAL	PTFE
9	PIN	STAINLESS STEEL
10	LEVER HANDLE	STAINLESS STEEL
10a	POINTER HANDLE	MAZAK 3- Coated
11	HANDLE SLEEVE	PVC
12	NUT	A4 ss
13	WASHER	A4 ss
14	SPACER	316 SS

Sample Part Number BDHS1015NFS

1/2" NPT 316 St. St. Ball Valve, 10mm Bore - 3,000 psi Pn 204 Rated fitted with Lever Handle.

VALVE PART NUMBER and ORDERING TABLE

Valve Series	Bore	Size	Threads	* Material	Handle	Options
BDHA 1,000 psi/Pn 68	10	08 - 1/4"	NF - NPT Female NM - NPT Male	A - Ali-Bronze D - 31803 Duplex	-PH Pointer -TH StSt 'T' Handle	-LK Locking
BDHS 3,000psi/Pn204		10 - 3/8"	PF - BSPP Female PM - BSPP Male	I - Incoloy		
		15 - 1/2"	TF - BSPT Female TM - BSPT Male	J - 6Mo M - Monel		
BDHP 6,000psi/Pn408	13	20 - 3/4"	C2 - 2 FERRULE Imp DS - Din 'S' Metric	S - 316 SS T - Titanium		
	19	25 - 1"	DL - Din 'L' Metric M2 - 2 FERRULE Metric	U - 32760 S.Duplex		

All valves have Stainless Steel Lever Handles as Standard.

BDseries01/08

Colson
Industries Ltd

Website: www.colson.co.uk

e-mail: sales@colson.co.uk



Certificate No L RQ 0960294
ISO 9001 Registered

Park Works, Park Road,
ELLAND West Yorkshire,
HX5 9HN - England

Tel +44 (0) 845 094 3780
Fax +44 (0) 845 094 3790

'BW' Series BALL VALVES

1,500 psi [Pn 100] Rated 3,500 psi [Pn 238] Rated
'BWRP' Series 6,000psi [Pn400] Rated

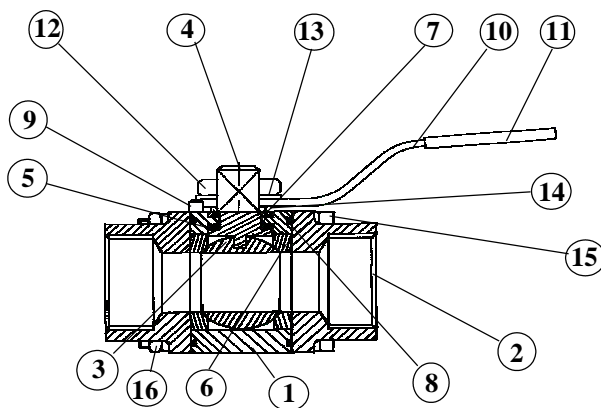
DESIGN FEATURES

3 Piece Bolted

- * Robust HIGH pressure design
- * Internally loaded blow-out proof stem
- * Floating ball for positive shut-off
- * LOW operating torque
- * Smooth 1/4 turn action
- * Flexible 3 piece design
- * 316 ss to NACE specification
- * Wide range of end flange types
- * Replaceable seats & seals
- * Ease of maintenance
- * Full material traceability
- * Can be easily actuated
- * Locking kit available



MATERIALS of CONSTRUCTION - 316 Stainless Steel



ITEM	COMPONENT	MATERIAL
1	BODY	316 S 11 *
2	END FLANGE	316 S 11 *
3	BALL	316 S 11 *
4	STEM	316 S 11 *
5	STEM SEAL	RTFE
6	SEATS	PTFE / PVDF
7	TOP SEAL	RTFE
8	BODY SEAL	PTFE
9	PIN	STAINLESS STEEL
10	LEVER HANDLE	STAINLESS STEEL
11	HANDLE SLEEVE	PVC
12	NUT	A4 ss
13	WASHER	A4 ss
14	SPACER	316 SS
15	BOLT	A4 ss
16	NUT	A4 ss

Sample Part Number BWSB1015NFS

1/2" NPT 316 St. St. Ball Valve, 10mm Bore - 1500 psi/Pn 100 Rated fitted with Lever handle

VALVE PART NUMBER and ORDERING TABLE

Valve Series	Bore	Size	Threads/ End Style	* Material	Options
BWSB 1,500 psi/Pn100	10	08 - 1/4"	NF - NPT Female PF - BSPP Female TF - BSPT Female SW - Socket Weld B* - Butt Weld	A - Ali-Bronze D - 31803 Duplex H - Hasteloy I - Incoloy J - 6MO L - LF2 M - Monel S - 316 SS T - Titanium U - 32760 S.Duplex	-LK Locking Kit -ACT Actuator use -SR Spring Return -DA Double Acting -EA Electric
		10 - 3/8"			
		15 - 1/2"			
BWST 3,500 psi/Pn238	13 19 25	20 - 3/4"			
		25 - 1"			
		32 - 1 1/4"			
BWRP 6,000 psi/Pn408	32 38 50	40 - 1 1/2"			
		50 - 2"			
		65 - 2 1/2"			

Valve Part Number for FULL BORE - USE BORE size equal to thread size e.g. BWSB1925NFS becomes BWSB2525NFS
 All Valves have Stainless Steel Lever Handles as standard. For BUTT Weld ends Specify Schedule- see Table on Index Sheet.

BWSeries - 01/09



Website: www.colson.co.uk

e-mail: sales@colson.co.uk



Certificate No L RQ 0960294
 ISO 9001 Registered

Park Works, Park Road,
 ELLAND, West Yorkshire.
 HX5 9HN - England

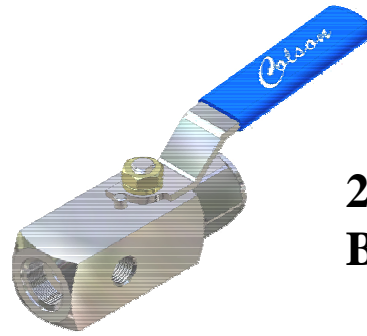
Tel +44 (0) 845 094 3780
 Fax +44 (0) 845 094 3790

'BG' Series Multiport GAUGE VALVES

1,000 psi [Pn 68] Rated 6,000 psi [Pn 408] Rated

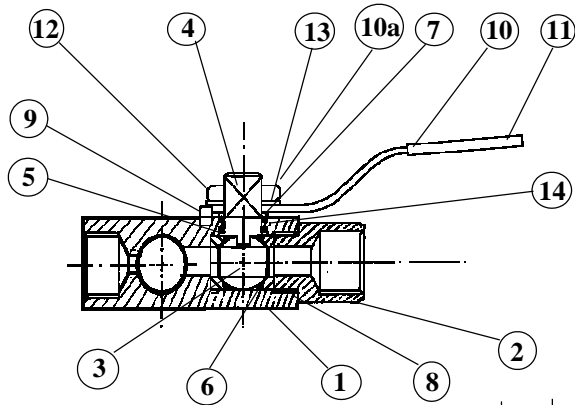
DESIGN FEATURES

- * Robust HIGH pressure design
- * Internally loaded blow-out proof stem
- * Floating ball for positive shut-off
- * LOW operating torque
- * Smooth 1/4 turn action
- * Flexible 2 piece design
- * 316 ss to NACE specification
- * Wide range of end connections
- * Replaceable seats & seals
- * Ease of maintenance
- * Full material traceability
- * Choice of lever or pointer handles
- * Locking kit available

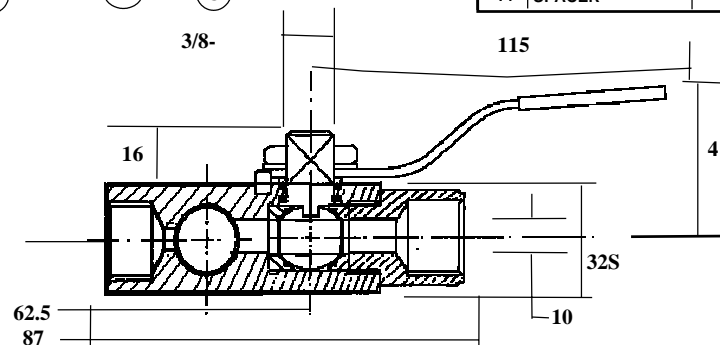


2 Piece Ball Valve

MATERIALS of CONSTRUCTION - 316 Stainless Steel



ITEM	COMPONENT	MATERIAL
1	BODY	316 S 11 *
2	END CONNECTOR	316 S 11 *
3	BALL	316 S 11 *
4	STEM	316 S 11 *
5	STEM SEAL	RTFE
6	SEA	PTFE / PVDF
7	TOP SEAL	RTFE
8	BODY SEAL	PTFE
9	PIN	STAINLESS STEEL
10	LEVER HANDLE	STAINLESS STEEL
10	POINTER HANDLE	MAZAK 3
11	HANDLE SLEEVE	PVC
12	NUT	A4 ss
13	WASHER	A4 ss
14	SPACER	316 ss



Sample Part Number BGSA1015NM15NFS

1/2" NPT Male Inlet x 3 - 1/2" NPT Female Outlets 316 St. St. Multiport Ball Valve, 10mm Bore - 1,000 psi/Pn 68 Rated fitted with Lever handle.

VALVE PART NUMBER and ORDERING TABLE

Valve Series	Bore	Inlet Size	Threads	* Material	Handle	Options
BGSA 1,000psi/Pn 68	10	08 - 1/4"	NF - NPT Female	A - Ali-Bronze	-PH Pointer	-LK Locking
		10 - 3/8"	NM - NPT Male	D - 31803 Duplex		
		15 - 1/2"	PF - BSPP Female	H - Hasteloy		
BGSP 6,000 psi/Pn408			PM - BSPP Male	I - Incoloy	-TH StSt 'T' Handle	
			TF - BSPT Female	J - 6MO		
			TM - BSPT Male	M - Monel		
			C2 - 2 FERRULE Imp	S - 316 SS		
			M2 - 2 FERRULE Metric	T - Titanium		
				U - 32760 S.Duplex		

All Valves have Stainless Steel Lever Handles as standard. All THREE Outlet ports are EITHER 1/2" or 1/4" size
Valves supplied with vent and blank plugs as standard.

Colson
Industries Ltd

Website: www.colson.co.uk

e-mail: sales@colson.co.uk



Certificate No L RQ 0960294
ISO 9001 Registered

BGseries - 01/08

Park Works, Park Road,
ELLAND. West Yorkshire.
HX5 9HN - England

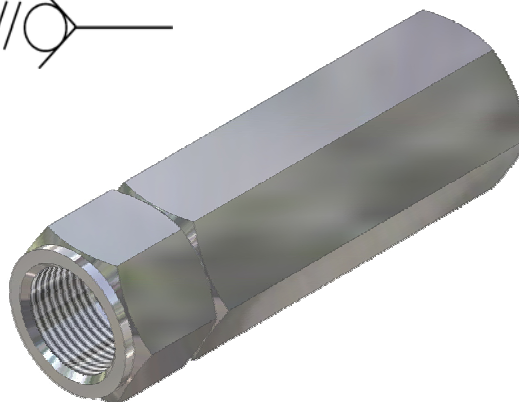
Tel +44 (0) 845 094 3780
Fax +44 (0) 845 094 3790

'CCV' Series Poppet Check Valves

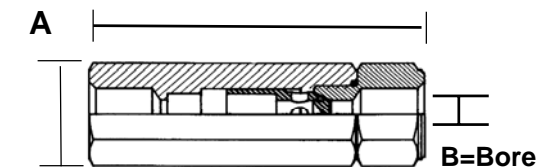
6,000 psi [Pn 408] Rated 10,000 psi [Pn 680] Rated

DESIGN FEATURES

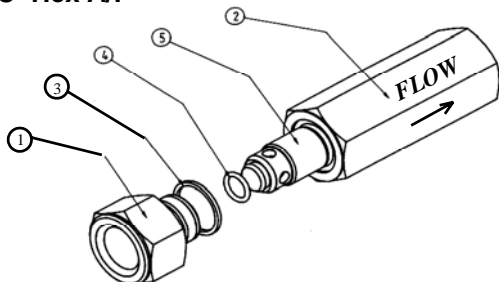
- * Soft seal for bubble tight closing
- * Prevents reverse flow in circuits
- * Low pressure differential to effect seal
- * Stainless Steel spring for long life
- * Large bore for improved flow through the valve
- * Choice of thread forms
- * Versatile design for Male/Female or compression ends
- * Can be used on vent valve lines to prevent ingress into systems



MATERIALS of CONSTRUCTION - 316 Stainless Steel



C=Hex A/F



ITEM	COMPONENT	MATERIAL
1	END CAP	316 S 11 *
2	BODY	316 S 11 *
3	BODY SEAL	PTFE/VITON *
4	POPPET SEAL	VITON *
5	POPPET	316 S 11
6	SPRING	316 S 11

A1=O/Length for CCV-X versions
 C = HEX A/F for CCV / CCV-X
 D = Cracking Pressure - psi/Bar

Valve Size	A		A1	B	C	D	Wt Kgs	
	BSPP	TAPER					CV	XCV
04-1/8"	58	58	58	8	22/26	4/0.27	0.15	0.15
08-1/4"	58	58	58	8	22/26	4/0.27	0.15	0.15
10-3/8"	93	94	101	10	28/31	4/0.27	0.30	0.52
15-1/2"	97	98	105	10	28/31	4/0.27	0.35	0.46
20-3/4"	134	135	150	19	43/46	4/0.27	1.10	2.22
25- 1"	139	140	150	19	43/52	4/0.27	1.05	1.80

Sample Part Number **CCVHP0808NFS**

1/4" NPT 316 St. St. Check Valve, 8mm bore - 6,000 psi/Pn 408 Rated

VALVE PART NUMBER and ORDERING TABLE						
Valve Series	Bore	Size	Threads	* Material	Options	
CCVHP 6,000 psi/Pn408	08	08 - 1/4"	NF - NPT Female NM - NPT Male PF - BSPP Female PM - BSPP Male TF - BSPT Female TF - BSPT Male C2 - 2 FERRULE Imp M2 - 2 FERRULE Metric	A - Ali-Bronze D - 31803 Duplex U - 32760 S.Duplex H - Hasteloy I - Incoloy J - 6Mo M - Monel S - 316 SS		
		10 - 3/8"				
CCVHX 10,000 psi/Pn680	10	15 - 1/2"				
		19				20 - 3/4"
						25 - 1"

We reserve the right to change specifications stated in this leaflet due to our continuing programme of development.

CCV - 01/08



Website: www.colson.co.uk

e-mail: sales@colson.co.uk

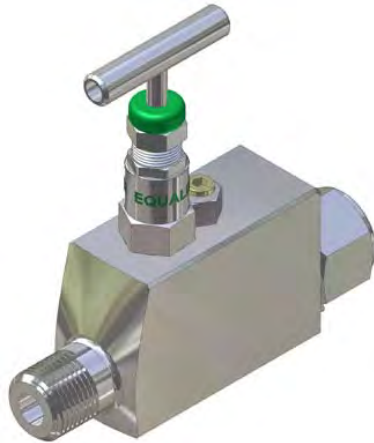


Certificate No LQR 0960294
 ISO 9001 Registered

Park Works, Park Road,
 ELLAND, West Yorkshire,
 HX5 9HN - England

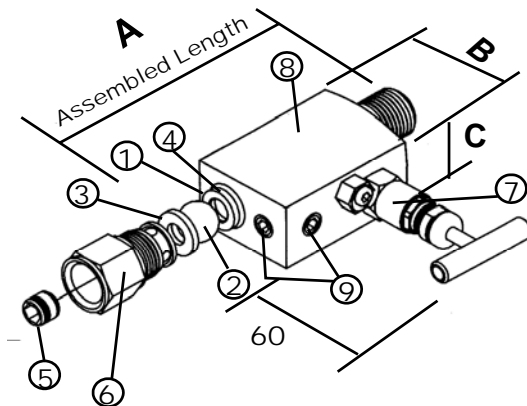
Tel +44 (0) 845 094 3780
 Fax +44 (0) 845 094 3790

CVC

'CVC' Series Velocity Check Valve**6,000 psi [Pn 408] Rated 10,000 psi [Pn 680] Rated**

DESIGN FEATURES

- * Is used on Flow lines to prevent loss of .
- . media caused by burst hoses or failed
- . connections
- * Soft seal for bubble tight closing
- * Prevents reverse flow in circuits
- * Low pressure differential to effect seal
- * Stainless Steel spring for long life
- * Large bore for improved flow through
- . the valve
- * Choice of thread forms
- * Versatile design for Male/Female
- . or compression ends

MATERIALS of CONSTRUCTION - 316 Stainless Steel

Valve Weight is 0.85 Kgs

ITEM	COMPONENT	MATERIAL
1	FRONT SEAL	RTFE
2	BALL	316 S 11 *
3	REAR SEAL	RTFE
4	SPRING	316 S 11 *
5	ADJUSTER	316 S 11 *
6	END CAP	316 S 11 *
7	SNV HEAD Assy	316 S 11 *
8	BODY	316 S 11 *
9	PORT PLUGS	Stainless Steel

A1=O/Length for M/F versions
D = Cracking Pressure - psi/Bar

Valve Size	A	A1	B	C	D	E	Wt Kgs
15-1/2"	100	124	50	32	4/0.27	60	0.35

Sample Part Number CVCSP1015NFS

1/2" NPT 316 St. St. Velocity Check Valve, 10mm Bore - 6,000 psi/Pn 408 Rated

VALVE PART NUMBER and ORDERING TABLE						
Valve Series	Bore	Size	Threads	* Material	Options	
CVCSP 6,000psi/Pn408	10	15-1/2"	NF - NPT Female	A - Ali-Bronze D - 31803 Duplex U - 32760 S.Duplex H - Hasteloy I - Incoloy J - 6Mo M - Monel		
CVCSX 10,000psi/Pn680			NM - NPT Male PF - BSPP Female PM - BSPP Male TF - BSPT Female TF - BSPT Male			

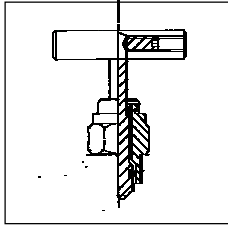
We reserve the right to change specifications stated in this leaflet due to our continuing programme of development.

Colson
Industries Ltd

Website: www.colson.co.uke-mail: sales@colson.co.ukCertificate No LRQ 0960294
ISO 9001 RegisteredPark Works, Park Road,
ELLAND, West Yorkshire.
HX5 9HN - EnglandTel +44 (0) 845 094 3780
Fax +44 (0) 845 094 3790

Needle Valve HEAD Options

NvOpt

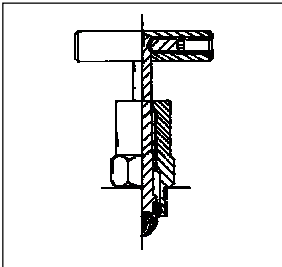
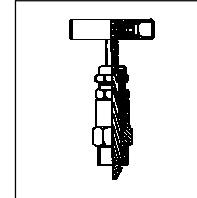


Economy Head Unit [NE-P] - 6,000psi/408Bar

- * Robust HIGH pressure design
- * DESIGNED with ECONOMY in mind
- * 17-4 PH One piece Stem/Tip
- * Low operating torque
- * 6 turns from OPEN to CLOSE
- * Back sealing on the stem
- * 316 ss to NACE Specification
- * Wide range of end connections
- * Compact size
- * Maintenance free
- * Full material traceability
- * Stem Seal below actuating threads to prevent gauling & contamination
- * Metal/Metal bonnet seal for pressure tightness even at elevated temperatures

Standard Head Unit [NS-P] - 6,000psi/408Bar [NS-X] - 10,000psi/680Bar

- * HIGH pressure design
- * DESIGNED to be maintained
- * Two piece stem with **NON-Rotating** tip
- * TIP Hardened for effective shut-off and life
- * Low operating torque
- * Back sealing on the stem
- * 316 ss to NACE Specification
- * Wide range of thread forms available
- * Adjustable gland packing
- * Panel mounting option
- * Full material traceability
- * Stem Seal below actuating threads to prevent contamination & gauling of threads
- * Metal/Metal bonnet seal for pressure tightness even at elevated temperatures



'L' Tork' © High Pressure Head Unit [NL-P] - 6,000psi/408Bar [NL-X] - 10,000psi/680Bar

- * HIGH pressure design
- * DESIGNED to be maintained
- * Two piece stem with **NON-Rotating** ball tip
- * **CERAMIC Ball TIP** for effective shut-off and life
- * Low operating torque
- * 316 ss to NACE Specification
- * Wide range of thread forms available
- * Panel mounting option
- * Full material traceability
- * Stem Seal below actuating threads to prevent contamination & gauling of threads
- * Metal/Metal bonnet seal for pressure tightness even at elevated temperatures

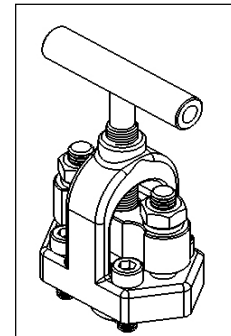
OS & Y BONNET Option [Standard Needle Valves &



Built to the standard required by piping specifications, the outside screw & yoke bonnet assembly can be used on the standard needle valve range as well as the Mono Flange range and the 'DFB' Series of Block & Bleed valves.

Hand Wheel Option in St St Now available

Cast in 316ss to be fully compliant with the valves that it is fitted to. Meeting the demands of the offshore industry.



The NS2S Range can be offered with a choice of Standard Tip in 17-4 PH or Soft Tip [Tf / Tk] (Peek or PVDF) for gas use or a metering tip [Tm] for fine control.

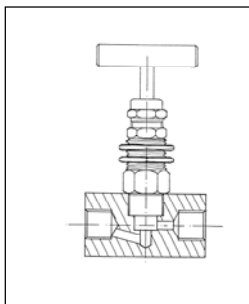
Tip Options [NS-P & NS-X]

Body Vent Option [-VD]

All the Needle valve range can be offered with a body Vent with bleed screw. This is normally provided on the Outlet side for draining off any residual pressure.

Panel Mount Option [NL & NS only]

The Panel Mounting option is available on the NS series and also on the NL Series whereby the valve bonnet can be mounted through a panel of 10mm maximum thickness. It includes two lock nuts for behind and in front of the panel.



Anti-Tamper/ Security Head Unit [NS-P & NS-X Only]

- * Extended Gland Adjuster for NS Heads
- * DESIGNED to prevent unauthorized opening
- * Two piece stem with removeable Anti-Tamper Key
- * Padlock facility as standard for security
- * 316 ss to NACE Specification
- * Wide range of thread forms available on valves



We reserve the right to change specifications stated in this leaflet due to our continuing programme of development.
All valves have 'T' Bar handle as standard.

NVOption - 01/08

Needle Valve Head Options

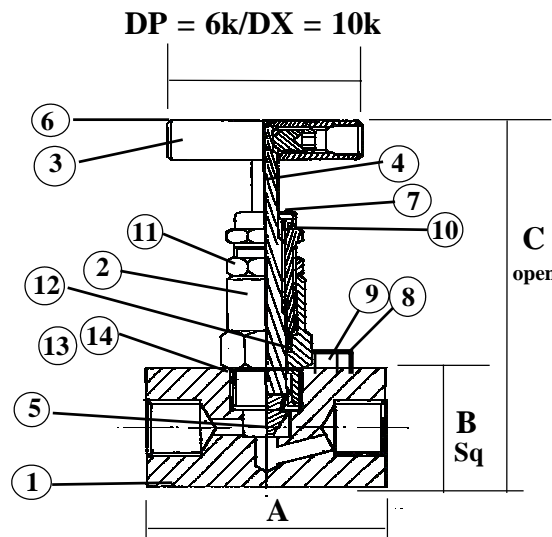
'NS' Series NEEDLE VALVES**6,000 psi [Pn 408] Rated 10,000 psi [Pn 680] Rated**

DESIGN FEATURES



- * Robust HIGH pressure design
- * DESIGNED to be maintained
- * Two piece stem with NON-Rotating tip
- * TIP Hardened for effective shut-off and life
- * Low operating torque
- * Smooth 4 turns from OPEN to CLOSE
- * Back sealing on the stem
- * 316 ss to NACE Specification
- * Wide range of thread forms available
- * Compact size
- * Adjustable gland packing
- * Panel mounting option
- * Full material traceability
- * Stem Seal below actuating threads to prevent contamination & gauling of threads
- * Metal/Metal bonnet seal for pressure tightness even at elevated temperatures

MATERIALS of CONSTRUCTION - 316 Stainless Steel



'A' dimension is + 5mm for Male/Female Valves

ITEM	COMPONENT	MATERIAL
1	BODY	316 S 11 *
2	BONNET HOUSING	316 S 11 *
3	HANDLE	316 S 11
4	STEM	316 S 11
5	STEM TIP	17 / 4 PH
6	GRUB SCREW	STAINLESS STEEL
7	DUST CAP	PVC
8	RETAINING CAM	STAINLESS STEEL
9	RETAINING SCREW	STAINLESS STEEL
10	GLAND ADJUSTER	316 S 11
11	LOCK NUT	316 S 11
12	GLAND PACKING	PTFE / GRAPHOIL
13	BONNET GASKET	316 S 11
14	BONNET SEAL	PTFE

Valve Size	A	B	C	DP	DX	Wt Kgs
08-1/4"	45	25	92	50	60	0.35
10-3/8"	50	25	92	50	60	0.35
15-1/2"	60	28	95	50	60	0.40
20-3/4"	65	38	128	60	60	0.80
25-1"	75	45	135	60	60	1.10

Sample Part Number NS2SP0508NFS

1/4" NPT 316 St. Needle Valve, 5mm Bore - 6,000 psi/Pn 408 Rated.

VALVE PART NUMBER and ORDERING TABLE						
Valve Series	Bore	Size	Threads	* Material	Options	
NS2SP 6,000 psi/Pn408	05	08 - 1/4"	NF- NPT [F] NM- NPT [M] PF - BSPP [F]	A - Ali-Bronze C - C/Steel D - 31803 Duplex H - Hasteloy I - Incoloy J - 6Mo M - Monel S - 316 SS T - Titanium U - 32760 S.Duplex	AT- Anti-tamper	
		10 - 3/8"	PM- BSPP [M] TF- BSPT [F]		TG - Tagging	
		15 - 1/2"	TM- BSPT [M] C1 - SINGLE FERRULE C2 - TWIN FERRULE		TM - Metering tip G - Graphoil	
NS2SX 10,000 psi/Pn680	08	20 - 3/4"	SW - Socket Weld Ends		VD -Vent Facility	
		25 - 1"	B* - Butt Weld Ends		HW - Handwheel PM - Panel Mounting	

We reserve the right to change specifications stated in this leaflet due to our continuing programme of development. All valves have 'T' Bar handle as standard.

NS2S - 01/08

Website: www.colson.co.uke-mail: sales@colson.co.ukCertificate No L RQ 0960294
ISO 9001 RegisteredPark Works, Park Road, ELLAND
West Yorkshire. HX5 9HN - EnglandTel +44 (0) 845 094 3780
Fax +44 (0) 845 094 3790

'NL' Series NEEDLE VALVES

6,000psi [Pn 408] Rated 10,000 psi [Pn 680] Rated

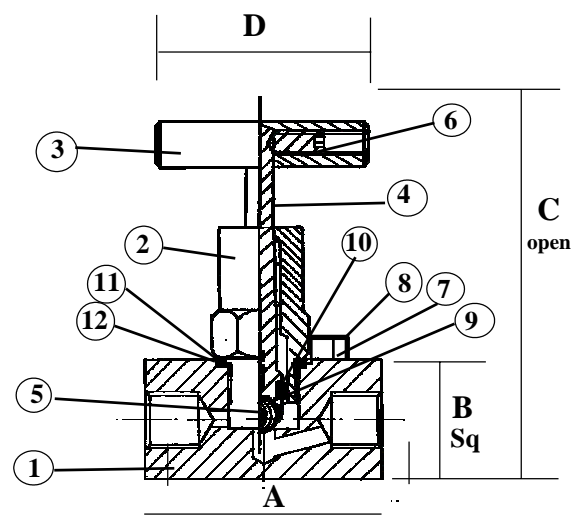
LO -Tork[®] Head Assembly for 10,000psi/680 Bar Max with effortless operation



DESIGN FEATURES

- * Low operating torque
- * HIGH pressure design
- * DESIGNED to be maintenance free
- * Two piece stem with NON-Rotating tip
- * **CERAMIC Ball TIP** for effective shut-off and life
- * Smooth 6 turns from OPEN to CLOSE
- * 316 ss to NACE Specification
- * Wide range of thread forms available
- * Compact size
- * Panel mounting option
- * Full material traceability
- * Stem Seal below actuating threads to prevent contamination & gauling of threads
- * Metal/Metal bonnet seal for pressure tightness even at elevated temperatures

MATERIALS of CONSTRUCTION - 316 Stainless Steel



ITEM	COMPONENT	MATERIAL
1	BODY	316 S 11 *
2	BONNET HOUSING	316 S 11 *
3	HANDLE	316 S 11
4	STEM	316 S 11
5	BALL TIP	CERAMIC
6	GRUB SCREW	STAINLESS STEEL
7	RETAINING SCREW	STAINLESS STEEL
8	RETAINING CAM	STAINLESS STEEL
9	STEM SEAL	Viton
10	STEM PACKING	PTFE
11	BONNET GASKET	STAINLESS STEEL
12	BONNET SEAL	PTFE

Valve Size	A	B	C	D	Wt Kgs
08-1/4"	50	25	92	50	0.35
10-3/8"	50	25	92	50	0.35
15-1/2"	60	28	95	50	0.40

'A' dimension is + 5mm for Male/Female Valves

Sample Part Number NL2SP0508NFS

1/4" NPT 316 St. St. Needle Valve, 5mm Bore - 6,000 psi/Pn 408 Rated.

VALVE PART NUMBER and ORDERING TABLE					
Valve Series	Bore	Size	Threads	* Material	Options
NL2SP 6,000 psi/Pn408	05	08 - 1/4"	NF- NPT [F]	S - 316 SS	HW - Handwheel PM - Panel Mounting TG - Tagging
		10 - 3/8"	NM- NPT [M] PF - BSPP [F]		
		15 - 1/2"	PM- BSPP [M] TF- BSPT [F] TM- BSPT [M]		
NL2SX 10,000 psi/Pn680					

We reserve the right to change specifications stated in this leaflet due to our continuing programme of development. All valves are fitted with 'T' Bar handle as standard.



Website: www.colson.co.uk

e-mail: sales@colson.co.uk



Certificate No L RQ 0960294
ISO 9001 Registered

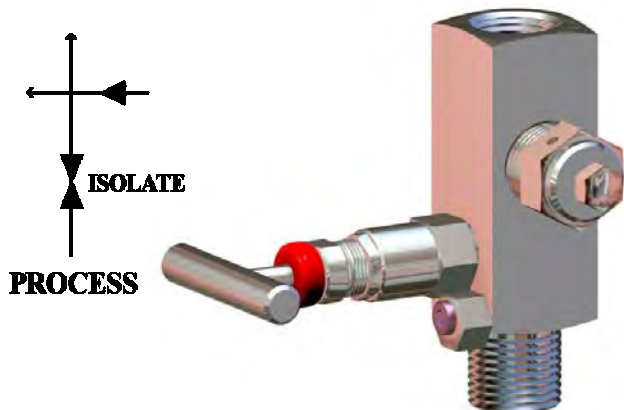
NL2S -01/09

Park Works, Park Road, ELLAND
West Yorkshire. HX5 9HN - England

Tel +44 (0) 845 094 3780
Fax +44 (0) 845 094 3790

NSG 'NSG' Series NEEDLE VALVES

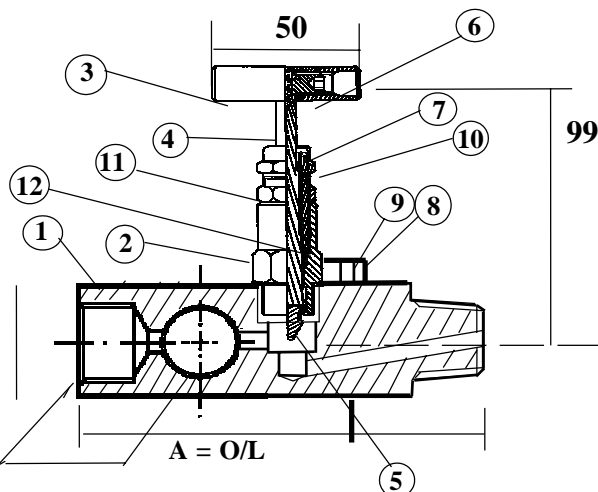
6,000 psi [Pn 408] Rated 10,000 psi [Pn 680] Rated



DESIGN FEATURES

- * Robust HIGH pressure design
- * DESIGNED to be maintained
- * Two piece stem with NON-Rotating tip
- * TIP Hardened for effective shut-off and life
- * Low operating torque
- * Smooth 4 turns from OPEN to CLOSE
- * Back sealing on the stem
- * 316 ss to NACE Specification
- * Wide range of thread forms available
- * 3 Outlet Ports for Gauge, Vent & Calibrate
- * Adjustable gland packing
- * Full material traceability
- * Stem Seal below actuating threads to prevent contamination & gauling of threads
- * Metal/Metal bonnet seal for pressure tightness even at elevated temperatures
- * Venting and Blank Plugs supplied as standard

MATERIALS of CONSTRUCTION - 316 Stainless Steel



ITEM	COMPONENT	MATERIAL
1	BODY	316 S 11 *
2	BONNET HOUSING	316 S 11 *
3	HANDLE	316 S 11
4	STEM	316 S 11
5	STEM TIP	17 / 4 PH
6	GRUB SCREW	STAINLESS STEEL
7	DUST CAP	PVC
8	RETAINING CAM	STAINLESS STEEL
9	RETAINING SCREW	STAINLESS STEEL
10	GLAND ADJUSTER	316 S 11
11	LOCK NUT	316 S 11
12	GLAND PACKING	PTFE / GRAPHOIL
13	BONNET GASKET	316 S 11
14	BONNET SEAL	PTFE

3 x 1/2" NPT Alternative Dims :- A=95, B=32
 3 x 1/4" NPT Outlets Dims :- A=83, B=28

Sample Part Number NSGSP0515NM15NFS

1/2" NPT Male Inlet x 3 - 1/2" NPT Female Outlets 316 St. St. Gauge Valve, 5mm Bore - 6,000 psi/Pn 408 Rated.

VALVE PART NUMBER and ORDERING TABLE					
Valve Series	Bore	Size	Threads	* Material	Options
NSGSP 6,000 psi/Pn408	05	08 - 1/4"	NF- NPT [F] NM- NPT [M]	A - Ali-Bronze C - C/Steel D - 31803 Duplex H - Hasteloy I - Incoloy J - 6Mo M - Monel S - 316 SS T - Titanium U - 32760 S.Duplex	G - Graphoil HW - Handwheel AT - Anti-Tamper TG - Tagging TM - Metering tip
NSGSX 10,000 psi/Pn680		10 - 3/8"	PF - BSPP [F] PM- BSPP [M]		
		15 - 1/2"	TF- BSPT [F] TM- BSPT [M]		
		20 - 3/4"	SW - Socket Weld Ends B* - Butt weld Ends		

We reserve the right to change specifications stated in this leaflet due to our continuing programme of development. All valves have 'T' Bar handle as standard.



Website: www.colson.co.uk

e-mail: sales@colson.co.uk



Certificate No L RQ 0960294
ISO 9001 Registered

NSG -01/08

Park Works, Park Road, ELLAND
West Yorkshire. HX5 9HN - England

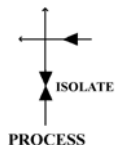
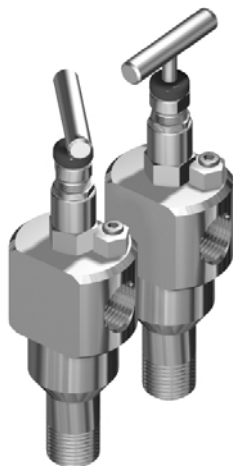
Tel +44 (0) 845 094 3780
Fax +44 (0) 845 094 3790

'NSOR Orifice NEEDLE VALVES

NSOR

6,000 psi [Pn 408] Rated

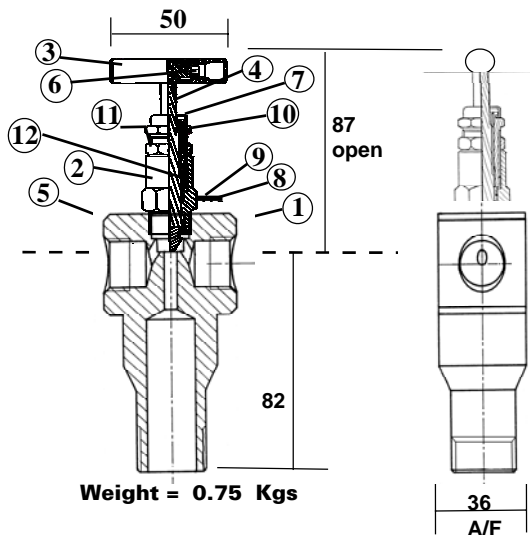
10,000 psi [Pn 680] Rated



DESIGN FEATURES

- * Robust HIGH pressure design
- * DESIGNED to be maintained
- * Two piece stem with NON-Rotating tip
- * TIP Hardened for effective shut-off and life
- * Low operating torque
- * Smooth 4 turns from OPEN to CLOSE
- * Back sealing on the stem
- * 316 ss to NACE Specification
- * Wide range of thread forms available
- * Compact size
- * Adjustable gland packing
- * Designed to fit on 54mm Centres
- * Full material traceability
- * Stem Seal below actuating threads to prevent contamination & gauling of threads
- * Metal/Metal bonnet seal for pressure tightness even at elevated temperatures

MATERIALS of CONSTRUCTION - 316 Stainless Steel



ITEM	COMPONENT	MATERIAL
1	BODY	316 S 11 *
2	BONNET HOUSING	316 S 11 *
3	HANDLE	316 S 11
4	STEM	316 S 11
5	STEM TIP	17 / 4 PH
6	GRUB SCREW	STAINLESS STEEL
7	DUST CAP	PVC
8	RETAINING CAM	STAINLESS STEEL
9	RETAINING SCREW	STAINLESS STEEL
10	GLAND ADJUSTER	316 S 11
11	LOCK NUT	316 S 11
12	GLAND PACKING	PTFE / GRAPHOIL
13	BONNET GASKET	316 S 11
14	BONNET SEAL	PTFE

Weight = 0.75 Kgs

Sample Part Number **NSORP0508NFS**

1/2" NPT 316 St. St. Orifice Valve 5mm Bore - 6,000 psi/Pn 408 Rated.

VALVE PART NUMBER and ORDERING TABLE					
Valve Series	Bore	Size	Threads	* Material	Options
NSORP 6,000 psi/Pn408	05	08 - 1/4"	NF- NPT [F] NM- NPT [M] PF - BSPP [F] PM- BSPP [M] TF- BSPT [F] TM- BSPT [M] SW - Socket Weld Ends B* - Butt Weld Ends	C - C/Steel D - 31803Duplex M - Monel S - 316 SS	AT - Anti Tamper G - Graphoil HW - 316ss Hand- TG - Tagging TM - Metering tip
		10 - 3/8"			
		15 - 1/2"			
NSORX 10,000 psi/Pn680	20 - 3/4"				

We reserve the right to change specifications stated in this leaflet due to our continuing programme of development. All valves have 'T' Bar handle as standard.



Website: www.colson.co.uk

e-mail: sales@colson.co.uk



Certificate No LRQ 0960294
ISO 9001 Registered

NSOR - 01/08

Park Works, Park Road, ELLAND
West Yorkshire. HX5 9HN - England

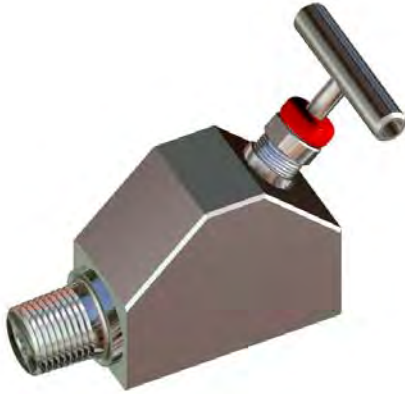
Tel +44 (0) 845 094 3780
Fax +44 (0) 845 094 3790

'NSBB' Series Oblique Needle VALVE

6,000 psi [Pn 408] Rated

10,000 psi [Pn 680] Rated

An In line needle valve for Isolation with an angled head for ease of use. Offering straight through bore for rodding

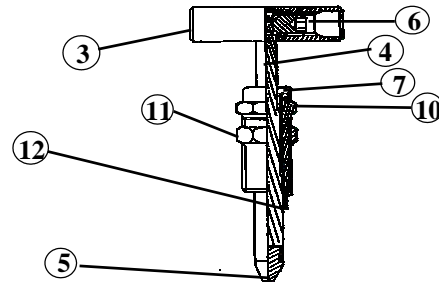
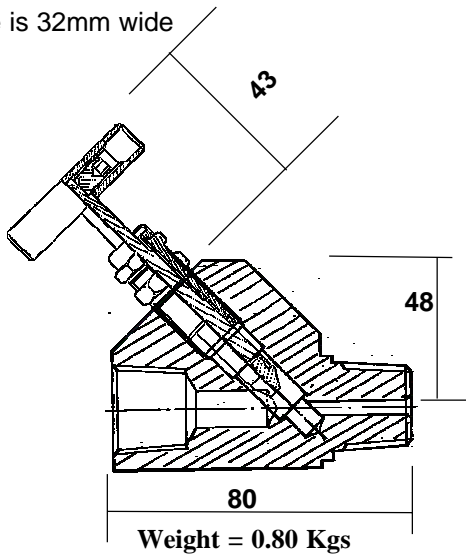


DESIGN FEATURES

- * Robust HIGH pressure design
- * DESIGNED to be maintained
- * 2 piece stem with NON-Rotating tip as standard
- * Hard TIP for effective shut-off and life
- * Low operating torque
- * Smooth 4 turns from OPEN to CLOSE
- * Back sealing on the stem
- * 316 ss to NACE Specification
- * Angled Head for ease of use
- * Adjustable gland packing
- * Full material traceability
- * Stem Seal below actuating threads to prevent contamination & gauling of threads
- * Straight through bore - roddable
- * Choice of pressure ranges

MATERIALS of CONSTRUCTION - 316 Stainless Steel

Valve is 32mm wide



Part Number **NSBSP0508NFS**

1/2" NPT 316ss Oblique Valve, Standard Head Assembly

VALVE PART NUMBER and ORDERING TABLE					
Valve Series	Bore	Size	Threads	* Material	Options
NSBBP 6,000 psi Pn400	05	08 - 1/4"	NF- NPT [F] NM- NPT [M] PF - BSPP [F]	A - Ali-Bronze C - C/Steel D - 31803Duplex E - 32550Duplex H - Hasteloy I - Incoloy J - 6Mo L - LF2 M - Monel S - 316 SS T - Titanium U - 32760Duplex Z - Zirconium X - SPECIAL	Lk - Locking Tg - Tagging Tm - Metering tip G - Graphoil Hw - 316ss Handwheel
		10 - 3/8"	PM- BSPP [M]		
		15 - 1/2"			
NSBBX 10,000 psi Pn680		20 - 3/4"	TF- BSPT [F] TM- BSPT [M]		
			Sw - Socket Weld Ends		

We reserve the right to change specifications stated in this leaflet due to our continuing programme of development. All valves have 'T' Bar handle as standard.

NSBB - 05/02



Website: www.colson.co.uk

e-mail: sales@colson.co.uk



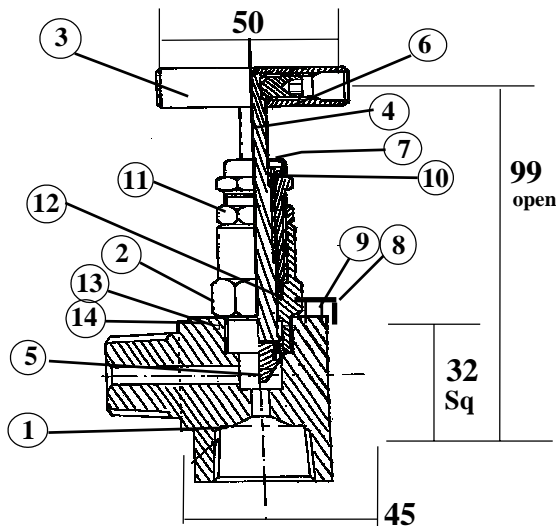
Certificate No L/RQ 0960294
ISO 9001 Registered

Park Works, Park Road, ELLAND
West Yorkshire. HX5 9HN - England

Tel +44 (0) 845 094 3780
Fax +44 (0) 845 094 3790

'NSA' Series NEEDLE VALVES**6,000 psi [Pn 408] Rated 10,000 psi [Pn 680] Rated****DESIGN FEATURES**

- * Top Sealing Bonnet style
- * Robust HIGH pressure design
- * DESIGNED to be maintained
- * NON-Rotating tip as Standard
- * TIP Hardened for effective shut-off and life
- * Low operating torque
- * Smooth 7 turns from OPEN to CLOSE
- * Back sealing on the stem
- * 316 ss to NACE Specification
- * Wide range of thread forms available
- * Compact size
- * Adjustable gland packing
- * Panel mounting option
- * Full material traceability
- * Stem Seal below actuating threads to prevent contamination & gauling of threads
- * Metal/Metal bonnet seal for pressure tightness even at elevated temperatures

**MATERIALS of CONSTRUCTION - 316 Stainless Steel**

ITEM	COMPONENT	MATERIAL
1	BODY	316 S 11 *
2	BONNET HOUSING	316 S 11 *
3	HANDLE	316 S 11
4	STEM	316 S 11
5	STEM TIP	17 / 4 PH
6	GRUB SCREW	STAINLESS STEEL
7	DUST CAP	PVC
8	RETAINING CAM	STAINLESS STEEL
9	RETAINING SCREW	STAINLESS STEEL
10	GLAND ADJUSTER	316 S 11
11	LOCK NUT	316 S 11
12	GLAND PACKING	PTFE/GRAPHOIL
13	BONNET GASKET	316 S 11
14	BONNET SEAL	V PTFE

Sample Part Number NSAS P0515NM15NFS

1/2" NPT Male Inlet/Female Outlet 316 St. St. Angle Needle Valve, 5mm Bore - 6,000 psi/Pn 408 Rated

VALVE PART NUMBER and ORDERING TABLE

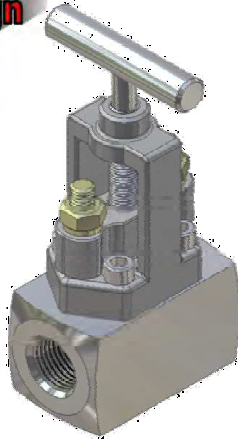
Valve Series	Bore	Size	Inlet/Outlet Threads	* Material	Options
NSAS P 6,000 psi/Pn 408	05	15 -1/2"	NF-NPT Female NM-NPT Male	C - C/Steel S - 316 SS	Lk - Locking Tg - Tagging TM - Metering tip G - Graphoil PM - Panel Mounting HW-Handwheel
NSAS X 10,000 psi/Pn 680			PF-BSPP Female PM-BSPP Male		
			TF-BSPT Female TM-BSPT Male		

We reserve the right to change specifications stated in this leaflet due to our continuing programme of development.
Valves are supplied as standard with 'T' bar handle.

NSAS-01/08

Colson
Industries Ltd

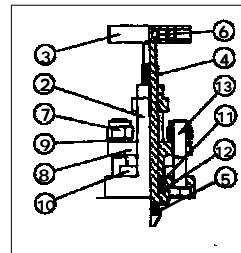
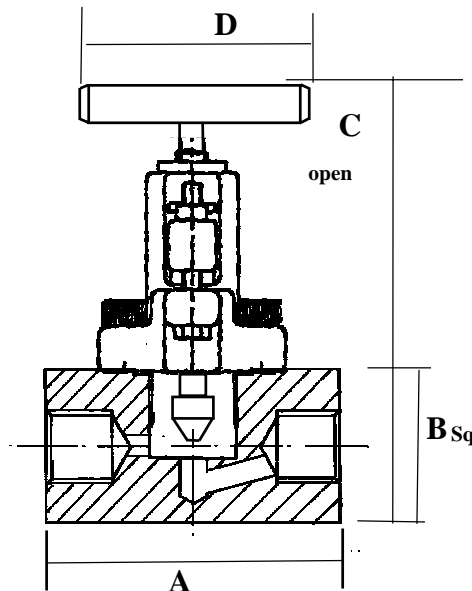
Website: www.colson.co.uke-mail: sales@colson.co.ukCertificate No L RQ 0960294
ISO 9001 RegisteredPark Works, Park Road, ELLAND
West Yorkshire. HX5 9HN - EnglandTel +44 (0) 845 094 3780
Fax +44 (0) 845 094 3790

'NO2' Series OS&Y NEEDLE VALVE**6,000 psi [Pn 408] Rated 10,000 psi [Pn 680] Rated****Fire Tested Design
to BS 6755 Pt 2**

DESIGN FEATURES

- * OS&Y Bonnet
- * Robust HIGH pressure design
- * DESIGNED to be maintained
- * NON-Rotating tip as standard
- * TIP Hardened for effective shut-off and life
- * Low operating torque
- * Smooth 5 turns from OPEN to CLOSE
- * Back sealing on the stem
- * 316ss to NACE Specification
- * Wide range of thread forms available
- * Adjustable gland packing
- * Full material traceability
- * Stem Seal below actuating threads to prevent contamination & gauling of threads
- * Metal/Metal bonnet seal for pressure tightness even at elevated temperatures.

MATERIALS of CONSTRUCTION - 316 Stainless Steel



OS&Y HEAD ASSY

ITEM	COMPONENT	MATERIAL
1	FLANGE BODY	316 S 11 *
2	BONNET HOUSING	316 S 11 *
3	HANDLE	316 S 11
4	STEM	316 S 11 *
5	STEM TIP	17 / 4 PH *
6	GRUB SCREW	STAINLESS STEEL
7	YOKE NUT	STAINLESS STEEL
8	YOKE	316 S 11
9	SPRING WASHER	STAINLESS STEEL
10	CAP SCREW	STAINLESS STEEL
11	GLAND	316 S 11
12	GLAND PACKING	PTFE / GRAPHOIL
13	YOKE ADJUST BOLT	STAINLESS STEEL

Valve Size	A	B	C	D	Wt Kgs
15-1/2"	60	38	130	60	0.50
10-3/4"	65	38	130	60	0.90

Sample Part Number **NO2SP0815NFS**

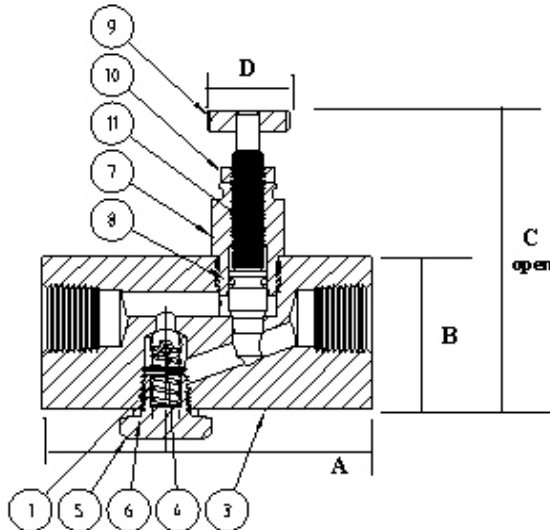
1/2" NPT Female 316 St. St. Needle Valve, 8mm Bore - 6,000 psi/Pn 408 Rated, fitted OS&Y Bonnet.

VALVE PART NUMBER and ORDERING TABLE						
Valve Series	Bore Size	Size	Inlet/Outlet Threads	* Material	Options	
NO2S P 6,000 psi/Pn408	08	15 -1/2"	NF -NPT Female NM -NPT Male	D - 31803 Duplex H - Hasteloy I - Incoloy J - 6Mo L - LF2 M - Monel S - 316 SS U - 32760 S.Duplex	-G Graphoil Packing	
NO2S X 10,000 psi/Pn680		20 - 3/4"	PF -BSPP Female PM-BSPP Male		-HS Handwheel 316 St. St.	
			TF -BSPT Female TM -BSPT Male			

We reserve the right to change specifications stated in this leaflet due to our continuing programme of development.
Valves are supplied as standard with 'T' Bar Handle.

'NFRB' Series FLOW / CHECK VALVE**6,000 psi [Pn 408] Rated 10,000 psi [Pn 680] Rated****DESIGN FEATURES**

- * Flow control valve with larger orifice
- * Built in check valve for FULL FLOW return
- * Robust HIGH pressure design
- * DESIGNED to be maintenance free
- * Hard TIP for effective shut-off and life
- * Low operating torque
- * Smooth 5 turns from OPEN to CLOSE
- * Back sealing on the stem
- * 316ss to NACE Specification
- * Wide range of thread forms available
- * Full material traceability
- * Stem Seal below actuating threads to prevent contamination & gauling of threads
- * Metal/Metal bonnet seal for pressure tightness even at elevated temperatures

MATERIALS of CONSTRUCTION - 316 Stainless Steel

ITEM	COMPONENT	MATERIAL
1	SPRING	316 S 11 *
2		
3	BODY	316 S 11
4	BALL CHECK	STAINLESS STEEL
5	END CAP	316 S 11
6	END CAP SEAL	STAINLESS STEEL
7	BONNET HOUSING	STAINLESS STEEL
8	STEM SEAL	Viton
9	HANDWHEEL	STAINLESS STEEL
10	LOCK NUT	STAINLESS STEEL
11	STEM/TIP	17-4 PH

Valve Size	A	B	C	D	Wt Kgs
08-1/4"	80	38x25	31	20Ø	0.52
10-3/8"	80	38x25	31	20Ø	0.52
15-1/2"	80	38x25	31	25Ø	0.55

Sample Part Number NFRBP0615NFS

1/2" NPT Female 316ss Flow-Control Valve, 6mm Bore with full reverse flow - 6,000 psi/Pn 408 Rated.

VALVE PART NUMBER and ORDERING TABLE					
Valve Series	Bore Size	Size	Inlet/Outlet Threads	* Material	Handle
NFRBP 6,000 psi/Pn408	06	08 - 1/4"	NF -NPT Female NM -NPT Male	D - 31803 Duplex M - Monel S - 316 SS T - Titanium U - 32760 S. Duplex	
NFRBX 10,000psi/Pn680		10 - 3/8"	PF -BSPP Female PM-BSPP Male		
		15 -1/2"	TF -BSPT Female TM -BSPT Male		

We reserve the right to change specifications stated in this leaflet due to our continuing programme of development.
Valves are supplied as standard with Hand wheel.

'NP' Series PLUG VALVES

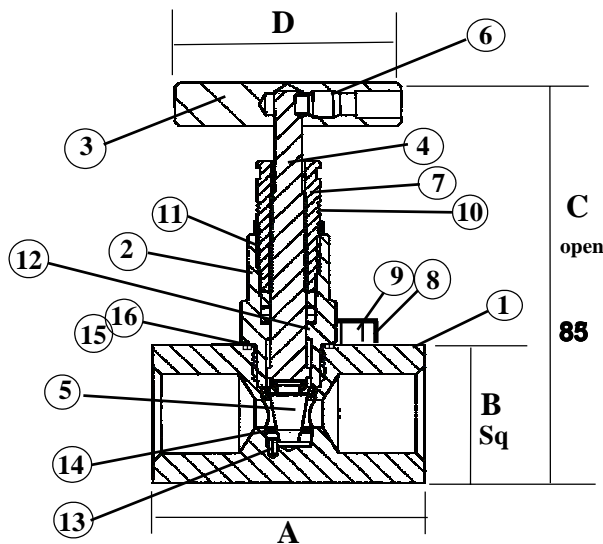
6,000 psi [Pn 408] Rated

DESIGN FEATURES

- * Robust HIGH pressure design
- * DESIGNED to be maintained - replacable seat
- * Two piece stem with NON-Rotating tip
- * Straight Through Flow - Rodable
- * Low operating torque
- * Smooth 5 turns - Full OPEN to CLOSED
- * Back sealing on the stem
- * 316 ss to NACE Specification
- * Wide range of thread forms available
- * Compact size
- * Adjustable gland packing
- * Panel mounting option
- * Full material traceability
- * Stem Seal below actuating threads to prevent contamination & gauling of threads
- * Metal/Metal bonnet seal for pressure tightness even at elevated temperatures



MATERIALS of CONSTRUCTION - 316 Stainless Steel



ITEM	COMPONENT	MATERIAL
1	BODY	316 S 11
2	BONNET HOUSING	316 S 11
3	HANDLE	316 S 11
4	STEM	316 S 11
5	PLUG TIP	316 S 11
6	GRUB SCREW	STAINLESS STEEL
7	DUST CAP	PVC
8	RETAINING CAM	STAINLESS STEEL
9	RETAINING SCREW	STAINLESS STEEL
10	GLAND ADJUSTER	316 S 11
11	LOCK NUT	316 S 11
12	GLAND PACKING	PTFE
13	SEAT PIN	316 S 11
14	PLUG SEAT	DELRIN
15	BONNET GASKET	316 S 11
16	BONNET SEAL	V PTFE

Valve Size	A	B	C	D	Wt Kgs
08-1/4"	45	32	98	50	0.35
10-3/8"	50	32	98	50	0.38
15-1/2"	60	32	98	50	0.40

Sample Part Number

1/2" NPT 316 St. St. Plug Valve, 6mm Bore - 6,000 psi/Pn 408 Rated.

VALVE PART NUMBER and ORDERING TABLE					
Valve Series	Bore	Size	Threads	* Material	Options
NP2SP 6,000 psi/Pn408	06	08 - 1/4"	NF- NPT [F] NM- NPT [M]	A - Ali-Bronze C - C/Steel D - 31803 Duplex H - Hasteloy I - Incoloy J - 6Mo M - Monel S - 316 SS T - Titanium U - 32760 S.Duplex	AT - Anti-Tamper Tg - Tagging G - Graphoil Hw - 316ss Handwheel
		10 - 3/8"	PF - BSPP [F] PM- BSPP [M]		
		15 - 1/2"	TF- BSPT [F] TM- BSPT [M]		
		20 - 3/4"			

We reserve the right to change specifications stated in this leaflet due to our continuing programme of development.
All valves have 'T' Bar handle as standard.

NP2S 01/08

Colson
Industries Ltd

Website: www.colson.co.uk

e-mail: sales@colson.co.uk



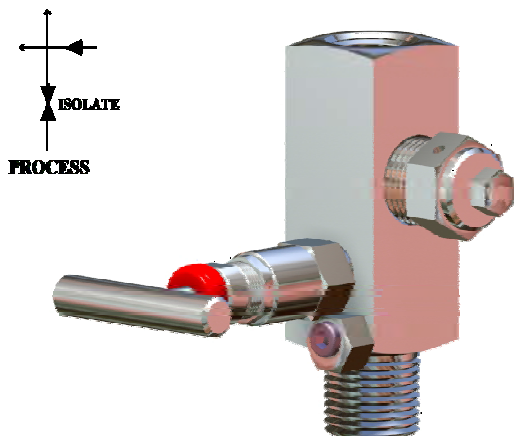
Certificate No L RQ 0960294
ISO 9001 Registered

Park Works, Park Road, ELLAND
West Yorkshire. HX5 9HN - England

Tel +44 (0) 845 094 3780
Fax +44 (0) 845 094 3790

'NPG' Series Multiport PLUG VALVE

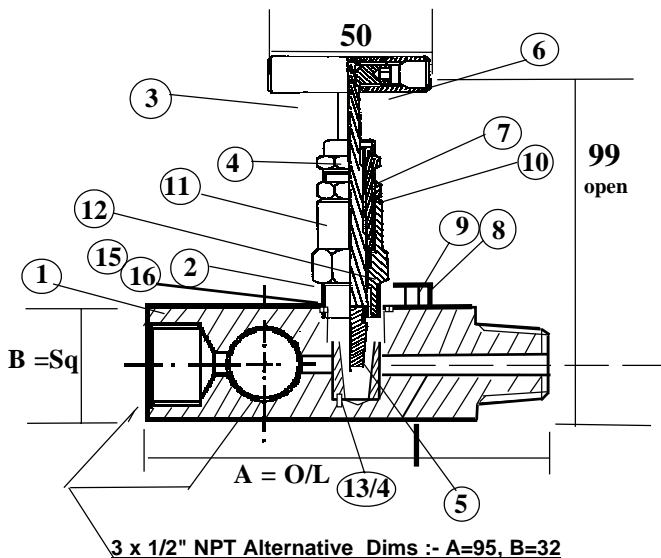
6,000 psi [Pn 408] Rated



DESIGN FEATURES

- * Top Sealing Bonnet style
- * Robust HIGH pressure design
- * DESIGNED to be maintained - replaceable seat
- * Two piece stem with NON-Rotating tip
- * 316 ss TIP for effective shut-off and life
- * Replaceable seat- straight through flow
- * Smooth 5 turns - Full OPEN to CLOSED
- * Back sealing on the stem
- * 316 ss to NACE Specification
- * Wide range of thread forms available
- * 3 Outlet Ports for Gauge,Vent & Calibrate
- * Adjustable gland packing
- * Panel mounting option
- * Full material traceability
- * Stem Seal below actuating threads to prevent contamination & gauling of threads
- * Metal/Metal bonnet seal for pressure tightness even at elevated temperatures
- * Venting and Blank Plugs available to suit size

MATERIALS of CONSTRUCTION - 316 Stainless Steel



ITEM	COMPONENT	MATERIAL
1	BODY	316 S 11
2	BONNET HOUSING	316 S 11
3	HANDLE	316 S 11
4	STEM	316 S 11
5	PLUG TIP	316 S 11
6	GRUB SCREW	STAINLESS STEEL
7	DUST CAP	PVC
8	RETAINING CAM	STAINLESS STEEL
9	RETAINING SCREW	STAINLESS STEEL
10	GLAND ADJUSTER	316 S 11
11	LOCK NUT	316 S 11
12	GLAND PACKING	PTFE
13	SEAT PIN	316 S 11
14	PLUG SEAT	DELIRIN
15	BONNET GASKET	316 S 11
16	BONNET SEAL	V PTFE

Sample Part Number NPGSP0615NM15NFS

1/2" NPT Male Inlet 316 St. St. Gauge Valve, 6mm Bore - 3 x 1/2"NPT Outlets-6,000 psi/Pn 408 Rated.

VALVE PART NUMBER and ORDERING TABLE					
Valve Series	Bore	Size	Threads	* Material	Options
NPGSP 6,000 psi/Pn408	06	08 - 1/4"	NF- NPT [F]	D - 31803 Duplex H - Hasteloy I - Incoloy J - 6Mo M - Monel S - 316 SS T - Titanium U - 32760 S.Duplex	Hw - 316ss Handwheel AT - Anti-tamper Tg - Tagging
		10 - 3/8"	PF - BSPP [F] TF- BSPT [F]		
		15 - 1/2"	C1 - SINGLE FERRULE C2 - TWIN FERRULE		

We reserve the right to change specifications stated in this leaflet due to our continuing programme of development. All valves have 'T' Bar handle as standard.

NPG 01/08



Website: www.colson.co.uk

e-mail: sales@colson.co.uk



Certificate No LQR 0960294
ISO 9001 Registered

Park Works, Park Road, ELLAND
West Yorkshire. HX5 9HN - England

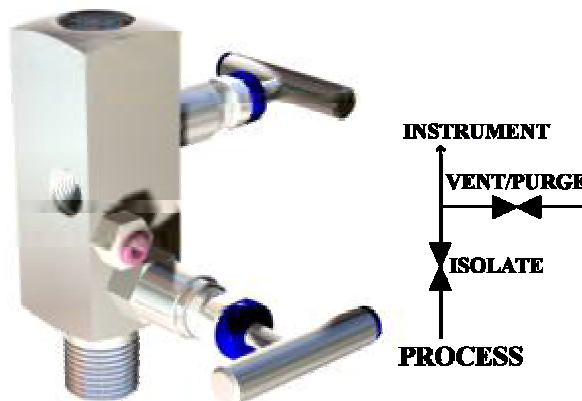
Tel +44 (0) 845 094 3780
Fax +44 (0) 845 094 3790

'MS2I' Series 2 Valve In-Line NEEDLE VALVE

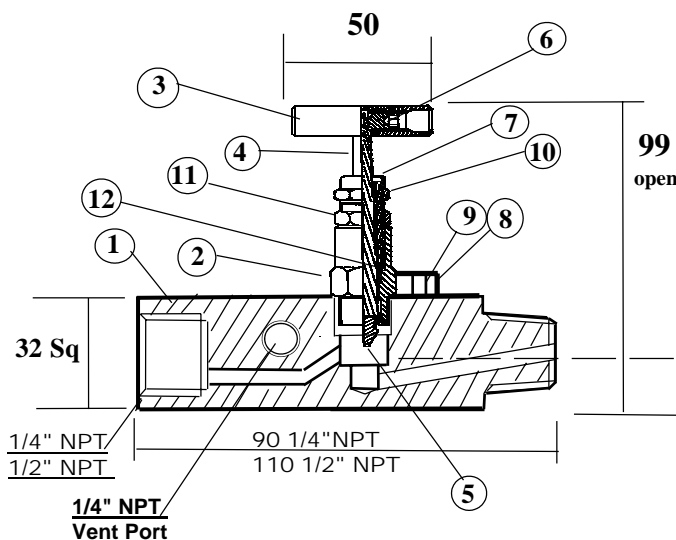
6,000 psi [Pn 408] Rated 10,000 psi [Pn 680] Rated

DESIGN FEATURES

- * Robust HIGH pressure design
- * DESIGNED to be maintained
- * NON-Rotating tip as standard
- * TIP Hardened for effective shut-off and life
- * Low operating torque
- * Smooth 5turns from OPEN to CLOSE
- * Back sealing on the stem
- * 316 ss to NACE Specification
- * Wide range of thread forms available
- * Adjustable gland packing
- * TOP Sealing Bonnet
- * Full material traceability
- * Stem Seal below actuating threads to prevent contamination & gauling of threads
- * Metal/Metal bonnet seal for pressure tightness even at elevated temperatures
- * Venting and Pressure Plugs as standard



MATERIALS of CONSTRUCTION - 316 Stainless Steel



ITEM	COMPONENT	MATERIAL
1	BODY	316 S 11 *
2	BONNET HOUSING	316 S 11 *
3	HANDLE	316 S 11
4	STEM	316 S 11
5	STEM TIP	17 / 4 PH
6	GRUB SCREW	STAINLESS STEEL
7	DUST CAP	PVC
8	RETAINING CAM	STAINLESS STEEL
9	RETAINING SCREW	STAINLESS STEEL
10	GLAND ADJUSTER	316 S 11
11	LOCK NUT	316 S 11
12	GLAND PACKING	PTFE / GRAPHOIL

Sample Part Number- MS2IP0515NM15NF1S

1/2" NPT Male Inlet x 1/2" npt Female OUTLET, 316 St. St. Block & Bleed Needle Valve 5mm Bore -6,000 psi/Pn 408 Rated, fitted Standard Bonnet. 1/4" NPT Vent Port.

VALVE PART NUMBER and ORDERING TABLE						
Valve Series	Orifice	Size	Threads	Vent	* Material	Options
MS2IP 6,000 psi/Pn408	05	08 - 1/4"	NF - NPT-female	0=No Vent	A - Ali-Bronze	AT - AntiTamper
		15 - 1/2"	PF - BSPP-female TF - BSPT-female	1=1/4"NPT 2=1/4"BSPP 3=1/2"NPT 4=1/2"BSPP	D - Duplex SS H - Hasteloy I - Incoloy M - Monel S - 316 SS	G - Graphoil HW - Handwheel-316 Tg - Tagging Tf - Soft Tip [PEEK] Tk - Soft Tip [PVDF]
MS2IX 10,000 psi/Pn680						

We reserve the right to change specifications stated in this leaflet due to our continuing programme of development. All valves have 'T' Bar handle as standard.

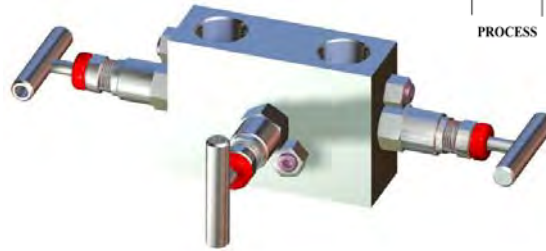
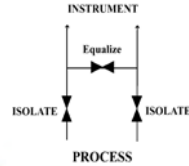
'MS3R' Series Remote MANIFOLD Valves MS3R

6,000 psi [Pn 408] Rated 10,000 psi [Pn 680] Rated

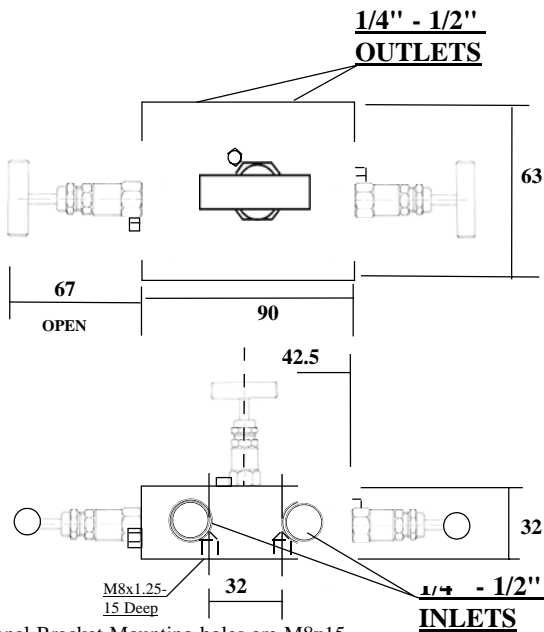
DESIGN FEATURES

- * Top Seal Bonnet style
- * Robust HIGH pressure design
- * DESIGNED to be maintained
- * NON-Rotating tip as standard
- * Hard TIP for effective shut-off and life
- * Low operating torque
- * Smooth 7 turns from OPEN to CLOSE
- * Back sealing on the stem
- * 316 ss to NACE Specification
- * Mounting Holes in body - Optional
- * Adjustable gland packing
- * Full material traceability
- * Stem Seal below actuating threads to prevent contamination & gauling of threads
- * Metal/Metal bonnet seal for pressure tightness even at elevated temperatures
- * Choice of Economy [NE-6K Only] or Standard Head [NS] or LOW TORK Head [NL]

A 3 Valve Remote Manifold for Isolation and Equalization. Optional Mounting holes can be provided.

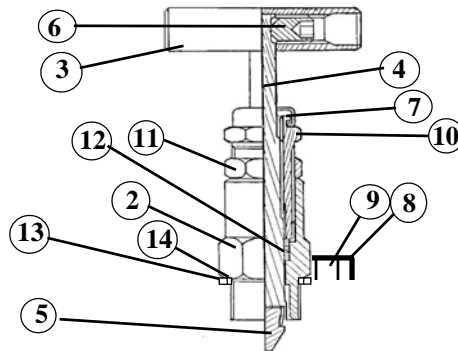


ITEM	COMPONENT	MATERIAL
1	BODY	316 S 11 *
2	BONNET HOUSING	316 S 11 *
3	HANDLE	316 S 11
4	STEM	316 S 11
5	STEM TIP	17 / 4 PH
6	GRUB SCREW	STAINLESS STEEL
7	DUST CAP	PVC
8	RETAINING CAM	STAINLESS STEEL
9	RETAINING SCREW	STAINLESS STEEL
10	GLAND ADJUSTER	316 S 11
11	LOCK NUT	316 S 11
12	GLAND PACKING	PTFE / GRAPHOIL
13	BONNET GASKET	316 S 11
14	BONNET SEAL	V PTFE



Optional Bracket Mounting holes are M8x15 Deep and on 32 mm centres

Weight = 1.45 Kgs



Sample Part Number MS3RP0515NF0S

1/2"NPT[F] in 316SS 3 Valve Remote Manifold 5mm Bore, - Rated 6,000psi/Pn 408.

VALVE PART NUMBER and ORDERING TABLE						
Valve Series	Orifice	Size	Threads	Vent	*Material	Options
MS3RP 6,000 psi/Pn408	05	08 - 1/4" 15 - 1/2"	NF - NPT-female PF - BSPP-female TF - BSPT-female	0=No Vent	D - 31803 Duplex SS H - Hasteloy M - Monel S - 316 SS	G - Graphoil HW - Handwheel-316 Tg - Tagging Tf - Soft Tip [PEEK] Tk - Soft Tip [PVDF]
MS3RX 10,000 psi/Pn680						

We reserve the right to change specifications stated in this leaflet due to our continuing programme of development. All valves have 'T' Bar handle as standard.



Website: www.colson.co.uk

e-mail: sales@colson.co.uk



Certificate No LRQ 0960294
ISO 9001 Registered

MS3R -01/08

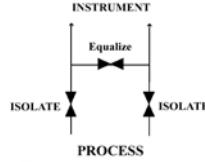
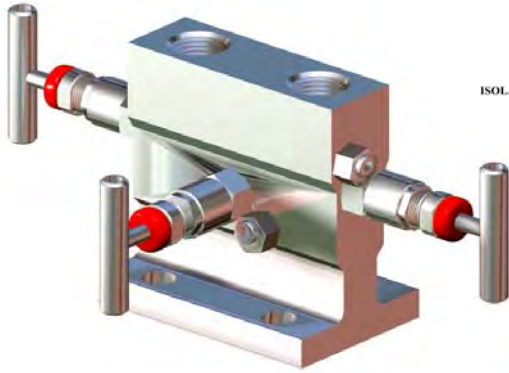
Park Works, Park Road, ELLAND
West Yorkshire. HX5 9HN - England

Tel +44 (0) 845 094 3780
Fax +44 (0) 845 094 3790

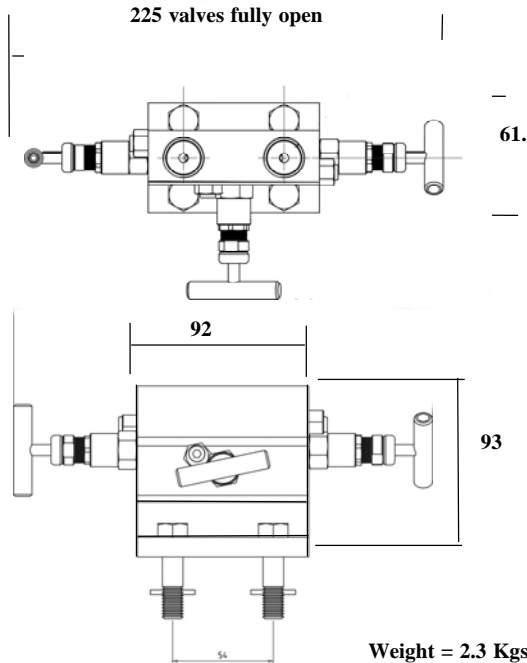
MS3T 'MS3T' Series Direct MANIFOLD VALVES

6,000 psi [Pn 408] Rated 10,000 psi [Pn 680] Rated

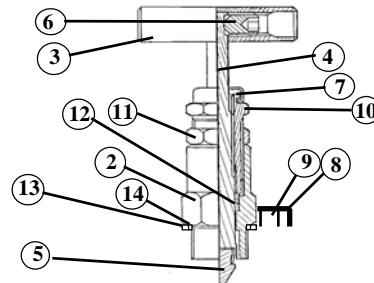
A Compact bodied 3 Valve Direct Manifold for Isolation and Equalization. Extruded 'T' Section for strength



- ### DESIGN FEATURES
- * Top Sealing Bonnet style
 - * Robust HIGH pressure design
 - * DESIGNED to be maintained
 - * NON-Rotating tip as standard
 - * Hard TIP for effective shut-off and life
 - * Low operating torque
 - * Smooth 6 turns from OPEN to CLOSE
 - * Back sealing on the stem
 - * 316 ss to NACE Specification
 - * Instrument mounting holes @ 54mm
 - * Adjustable gland packing
 - * Compact body design
 - * Full material traceability
 - * Stem Seal below actuating threads to prevent contamination & gauling of threads
 - * Metal/Metal bonnet seal for pressure tightness even at elevated temperatures
 - * Choice of Economy [NE-6K Only], Standard [NS] or Low Torq [NL] Head Units.



ITEM	COMPONENT	MATERIAL
1	BODY	316 S 11 *
2	BONNET HOUSING	316 S 11 *
3	HANDLE	316 S 11
4	STEM	316 S 11
5	STEM TIP	17 / 4 PH
6	GRUB SCREW	STAINLESS STEEL
7	DUST CAP	PVC
8	RETAINING CAM	STAINLESS STEEL
9	RETAINING SCREW	STAINLESS STEEL
10	GLAND ADJUSTER	316 S 11
11	LOCK NUT	316 S 11
12	GLAND PACKING	PTFE / GRAPHOIL
13	BONNET GASKET	316 S 11
14	BONNET SEAL	V PTFE



Sample Part Number MS3TP0515NF0S
 1/2"NPT[F] in 316SS 3 Valve Direct Manifold 5mm Bore, - Rated 6,000psi/Pn 408.

VALVE PART NUMBER and ORDERING TABLE						
Valve Series	Orifice	Size	Threads	Vent	*Material	Options
MS3TP 6,000 psi/Pn408	05	08 - 1/4"	NF - NPT-female	0=No Vent	D - 31803 Duplex SS H - Hasteloy M - Monel S - 316 SS	G - Graphoil
MS3TX 10,000 psi/Pn680		15 - 1/2"	PF - BSPP-female TF - BSPT-female			HW - Handwheel-316 Tg - Tagging Tf - Soft Tip [PEEK] Tk - Soft Tip [PVDF]

We reserve the right to change specifications stated in this leaflet due to our continuing programme of development. All valves have 'T' Bar handle as standard.



Website: www.colson.co.uk

e-mail: sales@colson.co.uk



Certificate No L RQ 0960294
 ISO 9001 Registered

MS3T - 01/08

Park Works, Park Road, ELLAND
 West Yorkshire. HX5 9HN - England

Tel +44 (0) 845 094 3780
 Fax +44 (0) 845 094 3790

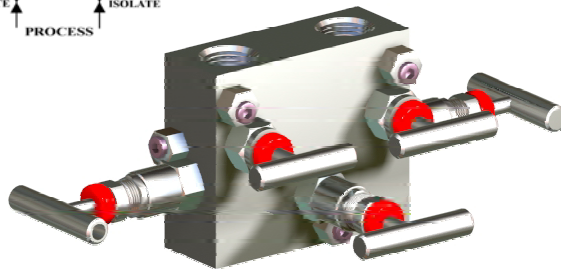
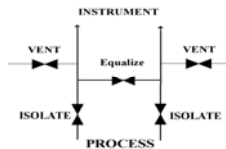
'MS5R' Series Remote MANIFOLD VALVES

MS5R

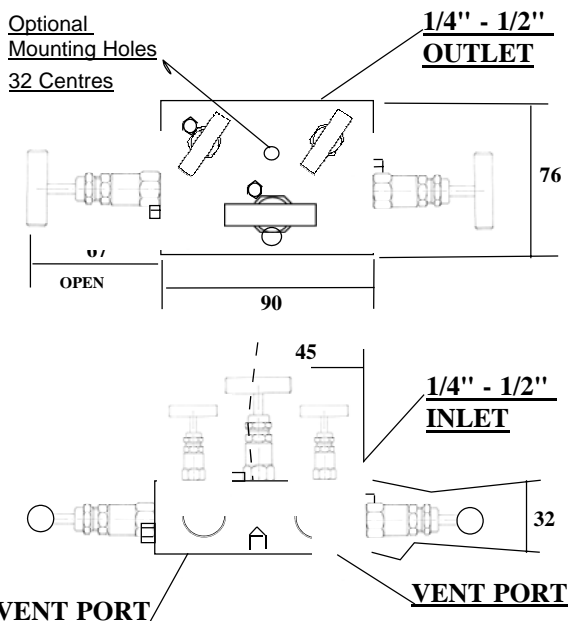
6,000 psi [Pn 408] Rated 10,000 psi [Pn 680] Rated
DESIGN FEATURES

- * Top Sealing Bonnet style
- * Robust HIGH pressure design
- * DESIGNED to be maintained
- * NON-Rotating tip as standard
- * Hard TIP for effective shut-off and life
- * Low operating torque
- * Smooth 7 turns from OPEN to CLOSE
- * Back sealing on the stem
- * 316 ss to NACE Specification
- * Mounting Holes
- * Adjustable gland packing
- * Full material traceability
- * Stem Seal below actuating threads to prevent contamination & gauling of threads
- * Metal/Metal bonnet seal for pressure tightness even at elevated temperatures

A 5 Valve Remote Manifold for Isolation and Venting.



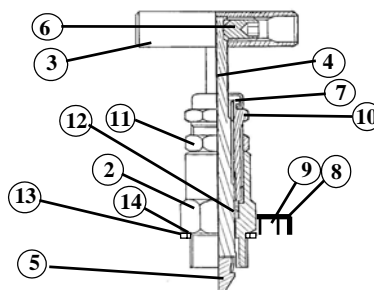
Picture shows Standard Head Unit fitted to Vent Ports.
 Economy Heads fitted as standard



Weight = 1.95 Kgs

Optional bracket mounting holes in base = M8-15 Deep on 32mm centres

ITEM	COMPONENT	MATERIAL
1	BODY	316 S 11 *
2	BONNET HOUSING	316 S 11 *
3	HANDLE	316 S 11
4	STEM	316 S 11
5	STEM TIP	17 / 4 PH
6	GRUB SCREW	STAINLESS STEEL
7	DUST CAP	PVC
8	RETAINING CAM	STAINLESS STEEL
9	RETAINING SCREW	STAINLESS STEEL
10	GLAND ADJUSTER	316 S 11
11	LOCK NUT	316 S 11
12	GLAND PACKING	PTFE / GRAPHOIL
13	BONNET GASKET	316 S 11
14	BONNET SEAL	V PTFE



Sample Part Number MS53RP0515NF0S

1/2"NPT[F] in 316SS 5 Valve Remote Manifold 5mm Bore, - Rated 6,000psi/Pn 408.

VALVE PART NUMBER and ORDERING TABLE						
Valve Series	Orifice	Size	Threads	Vent	*Material	Options
MS5RP 6,000 psi/Pn408	05	08 - 1/4"	NF - NPT-female	0=No Vent	D - 31803 Duplex SS H - Hasteloy M - Monel S - 316 SS	AT - AnitTamper G - Graphoil HW - Handwheel-316 Tg - Tagging Tf - Soft Tip [PEEK] Tk - Soft Tip [PVDF]
MS5RX 10,000 psi/Pn680		15 - 1/2"	PF - BSPP-female TF - BSPT-female			

We reserve the right to change specifications stated in this leaflet due to our continuing programme of development. All valves have 'T' Bar handle as standard.



Website: www.colson.co.uk

e-mail: sales@colson.co.uk



Certificate No L RQ 0960294
 ISO 9001 Registered

Park Works, Park Road, ELLAND
 West Yorkshire. HX5 9HN - England

Tel +44 (0) 845 094 3780
 Fax +44 (0) 845 094 3790

'MS5T' Series Direct MANIFOLD VALVE MS5T

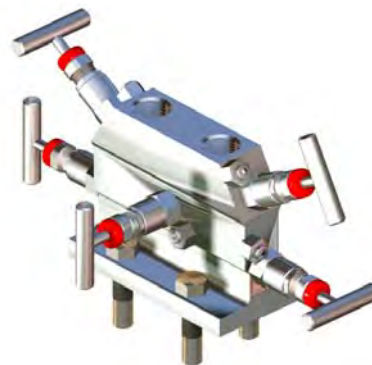
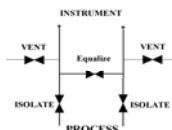
6,000 psi [Pn 408] Rated

10,000 psi [Pn 680] Rated

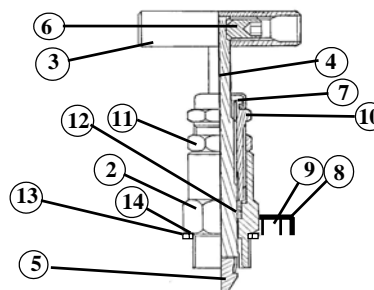
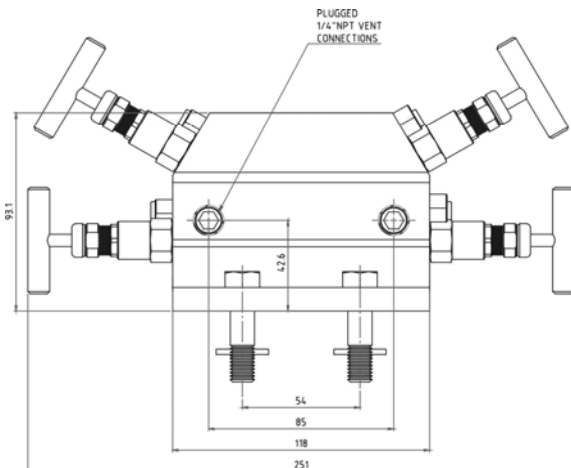
DESIGN FEATURES

- * Top Sealing Bonnet style
- * Robust HIGH pressure design
- * DESIGNED to be maintained
- * NON-Rotating tip as standard
- * Hard TIP for effective shut-off and life
- * Low operating torque
- * Smooth 7 turns from OPEN to CLOSE
- * Back sealing on the stem
- * 316 ss to NACE Specification
- * Angled Head for ease of use
- * Adjustable gland packing
- * Vent Ports with socket pressure plugs as standard
- * Full material traceability
- * Stem Seal below actuating threads to prevent contamination & gauling of threads
- * Metal/Metal bonnet seal for pressure tightness even at elevated temperatures
- * Choice of Economy [NE-6K Only], Standard [NS] or LOW TORK [NL] Heads

A 5 Valve Direct Mounting 'T' Section Manifold



ITEM	COMPONENT	MATERIAL
1	BODY	316 S 11 *
2	BONNET HOUSING	316 S 11 *
3	HANDLE	316 S 11
4	STEM	316 S 11
5	STEM TIP	17 / 4 PH
6	GRUB SCREW	STAINLESS STEEL
7	DUST CAP	PVC
8	RETAINING CAM	STAINLESS STEEL
9	RETAINING SCREW	STAINLESS STEEL
10	GLAND ADJUSTER	316 S 11
11	LOCK NUT	316 S 11
12	GLAND PACKING	PTFE / GRAPHOIL
13	BONNET GASKET	316 S 11
14	BONNET SEAL	V PTFE



Instrument mounting holes are 54mm centres **Weight = 3.1 Kgs**

Part No. - MS5TP0515NF1S

1/2"NPT[F] 5 Valve Manifold 'T' Section Style WITH
1/4"NPT[F] Vent. Rated 6,000psi/Pn408

VALVE PART NUMBER and ORDERING TABLE						
Valve Series	Orifice	Size	Threads	Vent	* Material	Options
MS5TP 6,000 psi/Pn408	05	08 - 1/4" 15 - 1/2"	NF - NPT-female PF - BSPP-female TF - BSPT-female	0=No Vent 1=1/4"NPT 2=1/4"BSPP 3=1/2"NPT	D - Duplex SS H - Hasteloy I - Incoloy M - Monel S - 316 SS X - SPECIAL	AT- AntiTamper Head Unit ATK- A/T Key G - Graphoil HW - Handwheel-316 Tg - Tagging Tf - Soft Tip [PEEK] Tk - Soft Tip [PVDF] Tm - Metering tip
MS5TX 10,000 psi/Pn680						

We reserve the right to change specifications stated in this leaflet due to our continuing programme of development. All valves have 'T' Bar handle as standard. **Do not repeat part number for Outlet if same as INLET.** For full list of options, see section sheet. MS5T-Mv2-07/05

Colson
Industries Ltd

Website: www.colson.co.uk

e-mail: sales@colson.co.uk



Certificate No LQR 0960294
ISO 9001 Registered

Park Works, Park Road, ELLAND
West Yorkshire. HX5 9HN - England

Tel +44 (0) 845 094 3780
Fax +44 (0) 845 094 3790

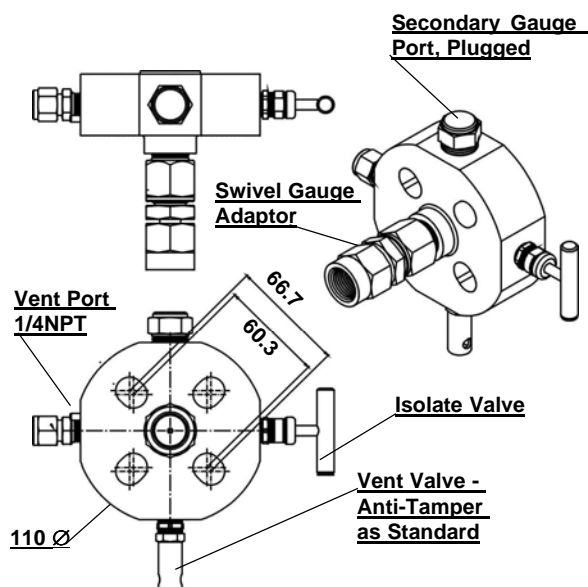
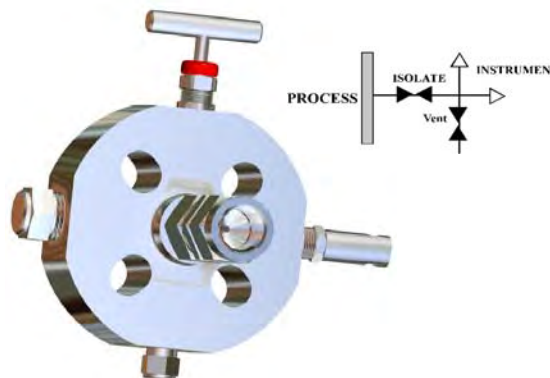
System Manifold Series '2M'

Class 150 - 600 Rated - SM2ML Class 900-2500 Rated - SM2MH

DESIGN FEATURES

- * Top Sealing Bonnet style
- * Robust HIGH pressure design
- * DESIGNED to be maintained
- * NON-Rotating tip as standard
- * Hard TIP for effective shut-off and life
- * Low operating torque
- * Smooth 5 turns from OPEN to CLOSE
- * Back sealing on the stem
- * 316 ss to NACE Specification
- * Anti-Tamper Vent valve - Key separate for security
- * Direct Flange Mounting
- * Adjustable gland packing
- * Vent Port with socket pressure plug as standard
- * Full material traceability
- * Stem Seal below actuating threads to prevent contamination & gauling of threads
- * Metal/Metal bonnet seal for pressure tightness even at elevated temperatures
- * Choice of Economy or Standard Head - [6K Only]

2 Valve 1/2" Flange Mounting Manifold for Isolation and Venting of connected gauge, for ease of use. Vent valve is Anti-Tamper as Standard .



Weight = 1.25 Kgs

Optional bracket mounting holes are 32mm centres- M8x1.25 x 15 Long.

Note: For security, anti-tamper keys are not shipped with the unit

Sample Part Number SM2MLB0515NFS

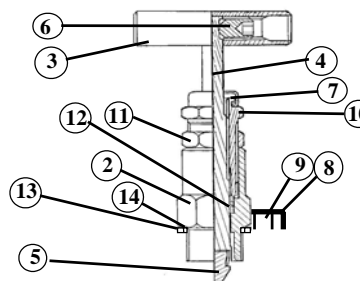
150-600lbs Gauge Monoflange Serrated face-1/2" NPT [F] Gauge Port in 316ss, 1/4" NPT [F] Vent Port, Standard Head Primary and Anti-tamper Head on Vent.

VALVE PART NUMBER and ORDERING TABLE

Series /Flange Rating-Style	Bore	Gauge Size	Gauge Thread	* Material	Options
SM2ML Flange is 150/300/ 600lb Rated	A= Smooth	05	08 - 1/4"	NF - NPT (F)	Tg - Tagging
SM2MH Flange is 900/1500/ 2500lb Rated	B= Serrated		15 - 1/2"	PF - BSPP (F)	Tm - Metering tip G - Graphoil
	C= RTJ		TF - BSPT (F)	M - Monel S - 316 SS	Hw - Handwheel - 316 Bk - Bracket Mounting Holes

We reserve the right to change specifications stated in this leaflet due to our continuing programme of development.
All Isoloate valves are fitted with 'T' Bar handle as standard.

ITEM	COMPONENT	MATERIAL
1	BODY	316 S 11 *
2	BONNET HOUSING	316 S 11 *
3	HANDLE	316 S 11
4	STEM	316 S 11
5	STEM TIP	17 / 4 PH
6	GRUB SCREW	STAINLESS STEEL
7	DUST CAP	PVC
8	RETAINING CAM	STAINLESS STEEL
9	RETAINING SCREW	STAINLESS STEEL
10	GLAND ADJUSTER	316 S 11
11	LOCK NUT	316 S 11
12	GLAND PACKING	PTFE / GRAPHOIL
13	BONNET GASKET	316 S 11
14	BONNET SEAL	



System Manifold Series '4E'

SM4E

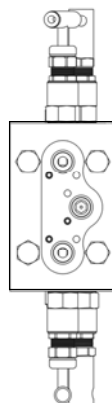
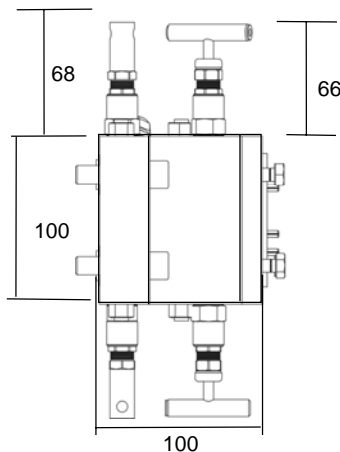
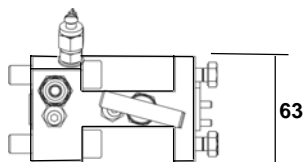
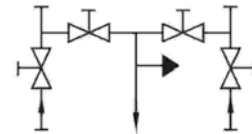
6,000 psi [Pn 408] Rated

10,000 psi [Pn 680] Rated

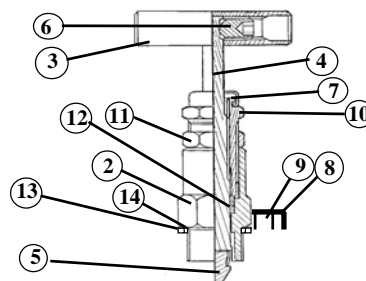
DESIGN FEATURES

- * Top Sealing Bonnet style
- * Robust HIGH pressure design
- * DESIGNED to be maintained
- * NON-Rotating tip as standard
- * Hard TIP for effective shut-off and life
- * Low operating torque
- * Smooth 6 turns from OPEN to CLOSE
- * Back sealing on the stem
- * 316 ss to NACE Specification
- * Mounting Holes as standard
- * Adjustable gland packing SNV Head
- * Vent Port with socket pressure plug as standard
- * Full material traceability
- * Stem Seal below actuating threads to prevent contamination & gauling of threads
- * Metal/Metal bonnet seal for pressure tightness even at elevated temperatures
- * Choice of NE/NL & NS Heads - [NE 6K Only]

System Manifold 4 Valve Manifold Block for Double Isolation and Equalisation. Both Equalise valves are Anti-Tamper style



ITEM	COMPONENT	MATERIAL
1	BODY	316 S 11 *
2	BONNET HOUSING	316 S 11 *
3	HANDLE	316 S 11
4	STEM	316 S 11
5	STEM TIP	17 / 4 PH
6	GRUB SCREW	STAINLESS STEEL
7	DUST CAP	PVC
8	RETAINING CAM	STAINLESS STEEL
9	RETAINING SCREW	STAINLESS STEEL
10	GLAND ADJUSTER	316 S 11
11	LOCK NUT	316 S 11
12	GLAND PACKING	PTFE / GRAPHOIL
13	BONNET GASKET	316 S 11
14	BONNET SEAL	V PTFE



Sample Part Number SM4EP0515NFS NPT [F] 316ss manifold 1/4"NPT [F] Vent, Standard Heads with Anti-Tamper on the Equalise heads

VALVE PART NUMBER and ORDERING TABLE					
Valve Series	Bore	Size	Threads	* Material	Options
SM4EP 6,000 psi/Pn408	05	08 - 1/4"	NF - NPT (F)	A - Ali-Bronze	Tg - Tagging
		15 - 1/2"	PF - BSPP (F)	C - C/Steel	Tm - Metering tip
SM4EX 10,000 psi/Pn680			TF - BSPT (F)	D - Duplex SS	G - Graphoil
				H - Hasteloy	Hw - Handwheel - 316
				I - Incoloy	Bk - Bracket
				M - Monel	. Mounting Holes
				S - 316 SS	
				X - SPECIAL	

We reserve the right to change specifications stated in this leaflet due to our continuing programme of development. All Isolate valves are fitted with 'T' Bar handle and Vent/Equalise valves are Anti-Tamper head as standard.

SM4E-TS -07/05



Website: www.colson.co.uk

e-mail: sales@colson.co.uk



Certificate No LQR 0960294
ISO 9001 Registered

Park Works, Park Road, ELLAND
West Yorkshire. HX5 9HN - England

Tel +44 (0) 845 094 3780
Fax +44 (0) 845 094 3790

'DBB' Series Double Block & Bleed Double Block & Bleed Ball Valves with Needle Valve

6,000 psi [Pn 408] & 10,000 psi [Pn 680] Rated

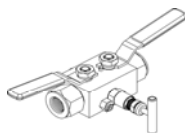
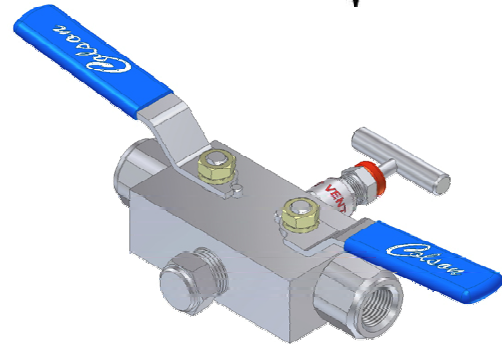
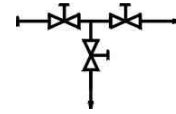
DESIGN FEATURES

ISOLATING BALL VALVE :-

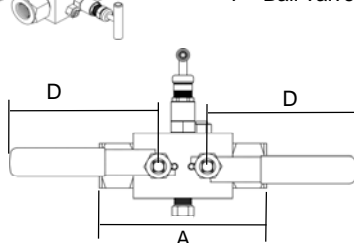
- * Wide choice of Flange sizes and Pressure ratings.
- * Robust HIGH pressure DESIGNED to be maintained
- * Ball Valve has anti blowout stem for safety
- * Floating ball design for positive shut-off
- * Replaceable seats & seals for extended life

NEEDLE VENT VALVE :-

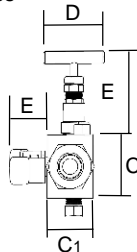
- * Top Sealing Bonnet style
- * NON-Rotating hard tip on bleed valve for effective shut-off
- * Back sealing on the stem & adjustable gland packing
- * Stem Seal below actuating threads to prevent contamination & gauling of threads
- * Metal/Metal bonnet seal for pressure tightness even at elevated temperatures
- * Choice of thread forms
- * 1/4" Bleed Port with pressure plug as standard
- * 316 ss to NACE Specification, Full material traceability



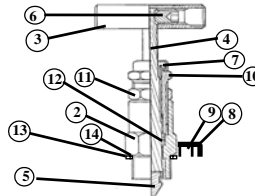
Ab=Block & Bleed Length
Ac=Double Block & Bleed Length
B =Bore
F =Ball valve centres



All valves have 1/4"NPT Vent port as standard

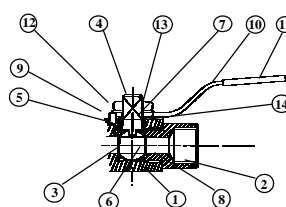


NS HEAD ASSY



ITEM	COMPONENT	MATERIAL
1	BODY	316 S 11
2	BONNET HOUSING	316 S 11
3	HANDLE	316 S 11
4	STEM	316 S 11
5	STEM TIP	17 / 4 PH
6	GRUB SCREW	STAINLESS STEEL
7	DUST CAP	PVC
8	RETAINING CAM	STAINLESS STEEL
9	RETAINING SCREW	STAINLESS STEEL
10	GLAND ADJUSTER	316 S 11
11	LOCK NUT	316 S 11
12	GLAND PACKING	PTFE / GRAPHOIL
13	BONNET GASKET	316 S 11
14	BONNET SEAL	V PTFE

BALL VALVE ASSY



ITEM	COMPONENT	MATERIAL
1	BODY	316 S 11
2	END CONNECTORS	316 S 11
3	BALL	316 S 11
4	STEM	316 S 11
5	STEM SEAL	RTFE
6	SEA	PVDF / PEEK
7	TOP SEAL	RTFE
8	BODY SEAL	PTFE
9	PIN	ST. STEEL
10	LEVER HANDLE	ST. STEEL
11	POINTER HANDLE	MAZAK 3
12	HANDLE SLEEVE	PVC
13	NUT	A4 ss
14	WASHER	A4 ss
15	SPACER	316 SS

DIMENSION TABLE											
SIZE	Ab	Ac	B	C	C1	D	Dv	E	Ev	F	Wt
08 - 1/4"	100	126	10	51	38	115	50	29	67	31	2.2
10 - 3/8"	100	126	10	51	38	115	50	29	67	31	2.2
15 - 1/2"	100	126	10	51	38	115	50	29	67	31	2.2
20 - 3/4"	100	126	12.7	51	38	115	50	31	67	37	2.25
25 - 1"	143	180	19	51	51	165	50	35	67	40	4.0

Sample Part Number **DBBCMP1015NM15NFS**

1/2"NPT (Male x Female) 6000PSI/408Bar Double Block & Bleed Ball Valve [Ball/Needle/Ball Configuration] with PVDF +PTFE/17-4PH Trim. 1/2" NPTF Outlet/1/4"NPT Vent in316ss

VALVE PART NUMBER and ORDERING TABLE							
Series - Style	Pressure	BORE	Inlet Size/Type	Outlet Size/Type	Vent	* Material	Options
DBBB	E=B/N F=B/B	P=6000/408 X=10000/680	08	08	1=1/4"N PT 2=1/4BS	D - 31803 Du- S - 316 SS	-PH Pointer Handle
			10	10			-TH 'T' Handle St St
DBBC	K=B/N/N M=B/N/B	P=6000/408 X=10000/680	15	15			-LK Lock Kit
			20	20			Vent Valve
			25	25			-AT AntiTamper
							-HW Handwheel SS

We reserve the right to change specifications stated in this leaflet due to our continuing programme of development.

All Ball valves have lever handle as standard.

DBB - 01/08



Website: www.colson.co.uk

e-mail: sales@colson.co.uk



Certificate No L RQ 0960294
ISO 9001 Registered

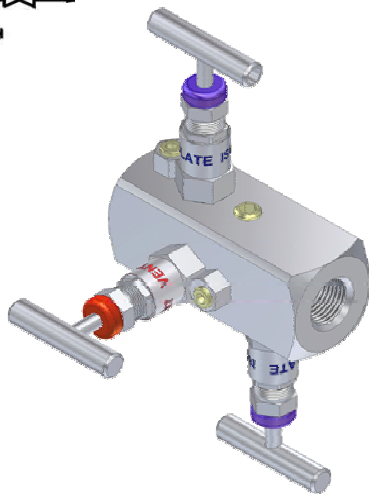
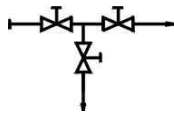
Park Works, Park Road,
ELLAND. W. Yorkshire.
HX5 9HN - England

Tel +44 (0) 845 094 3780
Fax +44 (0) 845 094 3790

'DBN' Series Double Block & Bleed

Double Block & Bleed Needle Valves

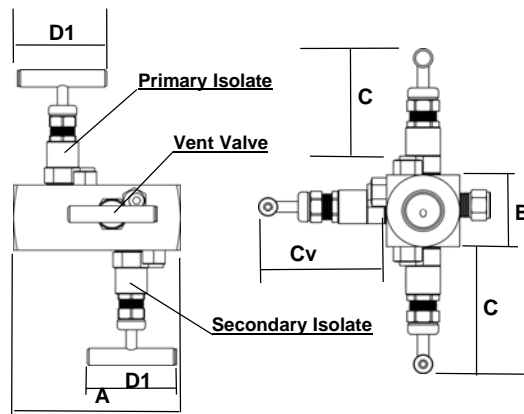
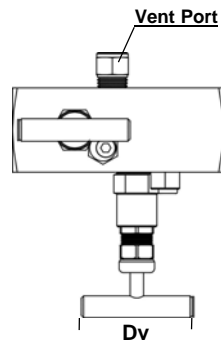
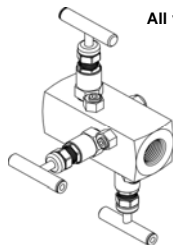
6,000 psi [Pn 408] & 10,000 psi [Pn 680] Rated



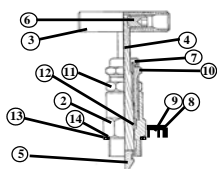
DESIGN FEATURES

- * Top Sealing Bonnet style
- * Wide choice of Thread sizes and Pressure ratings.
- * Robust HIGH pressure design
- * DESIGNED to be maintained
- * 2 piece stem with NON-Rotating tip as standard
- * Hard TIP for effective shut-off and life
- * Low operating torque - back sealing on the stem
- * Smooth 6 turns from OPEN to CLOSE
- * 316 ss to NACE Specification
- * Choice of Block & Bleed or Double Block & Bleed
- * Adjustable gland packing [SNV] or LoTork [LNV]
- * Vent Port with pressure plug as standard
- * Full material traceability
- * Stem Seal below actuating threads to prevent contamination & gauling of threads
- * Metal/Metal bonnet seal for pressure tightness even at elevated temperatures

All valves have 1/4" NPT Vent port as standard



Materials - 316ss Valve
NS HEAD ASSY



ITEM	COMPONENT	MATERIAL
1	BODY	316 S 11
2	BONNET HOUSING	316 S 11
3	HANDLE	316 S 11
4	STEM	316 S 11
5	STEM TIP	17 / 4 PH
6	GRUB SCREW	STAINLESS STEEL
7	DUST CAP	PVC
8	RETAINING CAM	STAINLESS STEEL
9	RETAINING SCREW	STAINLESS STEEL
10	GLAND ADJUSTER	316 S 11
11	LOCK NUT	316 S 11
12	GLAND PACKING	PTFE / GRAPHOIL
13	BONNET GASKET	316 S 11
14	BONNET SEAL	V PTFE

DIMENSION TABLE							
SIZE	A	B	C	Cv	D1	Dv	Wt
08 - 1/4"	95	38	67	67	50	50	1.30
10 - 3/8"	95	38	67	67	50	50	1.30
15 - 1/2"	95	38	67	67	50	50	1.30
20 - 3/4"	150	45	90	67	60	50	2.10
25 - 1"	150	45	90	67	60	50	2.10

Sample Part Number DBNCNP0825NF25NF1S

1" NPT 6000PSI/408Bar Double Block & Bleed Needle Valve [Needle/ Needle/Needle Configuration] with PTFE/17-4PH Trim.
1" NPTF Outlet/1/4" NPT Vent in 316ss

VALVE PART NUMBER and ORDERING TABLE									
Series - Style	Pressure	BORE	Inlet Size/Type		Outlet Size/Type		Vent	* Material	Options
DBNB	P=6000/408	05	08	NF=NPT(F) NM=NPT(M)	08	NF=NPT(F) NM=NPT(M)	1=1/4" NPT 3=1/2" NPT	A - Ali-Bronze D - 31803 Duplex S - 316 SS	-AT AntiTamper -HW Handwheel 316 SS
			10		10				
DBNC	X=10000/680	08	20	PF=BSPP(F) PM=BSPP(M)	20	PF=BSPP(F) PM=BSPP(M)			
			N=N/N/N		25		25		

We reserve the right to change specifications stated in this leaflet due to our continuing programme of development.
All Needle valves have Tee handle as standard.

DBN - 01/08



Website: www.colson.co.uk



e-mail: sales@colson.co.uk Certificate No LQR 0960294
ISO 9001 Registered

Park Works, Park Road,
ELLAND. W. Yorkshire.
HX5 9HN - England

Tel +44 (0) 845 094 3780
Fax +44 (0) 845 094 3790

'DF' Series 'B/F' Style Block & Bleed

Flanged Block & Bleed Ball Valves with Needle Valve Vent

DESIGN FEATURES

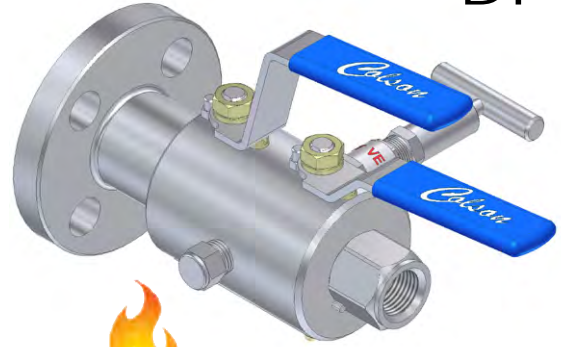
ISOLATE VALVE :-

- * Wide choice of Flange sizes and Pressure ratings.
- * Robust HIGH pressure DESIGNED to be maintained
- * Ball Valve has anti blowout stem for safety
- * Floating ball design for positive shut-off
- * Replaceable seats & seals for extended life

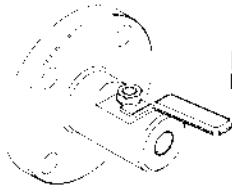
VENT VALVE :-

- * Top Sealing Bonnet style
- * NON-Rotating hard tip on bleed valve for effective shut-off
- * Back sealing on the stem & adjustable gland packing
- * Stem Seal below actuating threads to prevent contamination & gauling of threads
- * Metal/Metal bonnet seal for pressure tightness even at elevated temperatures

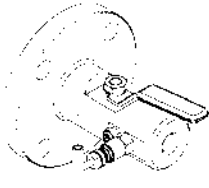
- * Choice of Block, Block & Bleed or Double Block & Bleed
- * Bleed Port with socket pressure plug or Tube fitting
- * 316 ss to NACE Specification, Full material traceability
- * Barstock Material '**FB**' and Forged Body '**FF**'



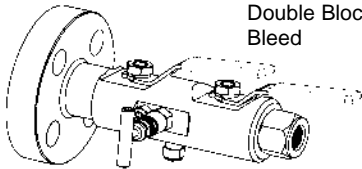
**FIRE-SAFE TO
API 6D/ISO 10497***



DF BA Series
Block [Isolate] Only



DF BB Series
Block & Bleed



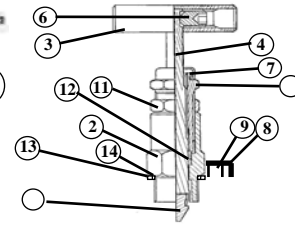
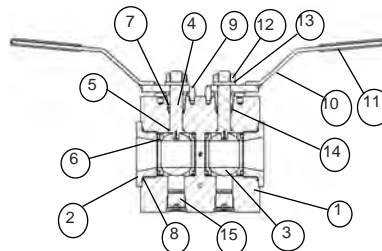
DF BC Series
Double Block & Bleed

DF B BALL VALVE ASSY B/N/B

ITEM	COMPONENT	MATERIAL
1	BODY	316 S 11
2	END FLANGE	316 S 11
3	BALL	316 S 11
4	STEM	316 S 11
5	STEM SEAL	PTFE/GRAPHOIL
6	SEATS	PTFE / PVDF/PEEK
7	TOP SEAL	RTFE/GRAPHO
8	END FLANGE SEAL	PTFE/GRAPHOIL
9	PIN	STAINLESS STEEL
10	LEVER HANDLE	STAINLESS STEEL
11	HANDLE SLEEVE	PVC
12	NUT	A4 ss
13	WASHER	A4 ss
14	F.E. Seal	Viton
15	CAVITY PLUG	316 S 11

NS HEAD ASSY

ITEM	COMPONENT	MATERIAL
1	BODY	316 S 11 *
2	BONNET HOUSING	316 S 11 *
3	HANDLE	316 S 11
4	STEM	316 S 11
5	STEM TIP	17 / 4 PH
6	GRUB SCREW	STAINLESS STEEL
7	DUST CAP	PVC
8	RETAINING CAM	STAINLESS STEEL
9	RETAINING SCREW	STAINLESS STEEL
10	GLAND ADJUSTER	316 S 11
11	LOCK NUT	316 S 11
12	GLAND PACKING	PTFE / GRAPHOIL
13	BONNET GASKET	316 S 11
14	BONNET SEAL	V PTFE



Sample Part Number DF BCMF1025CB15NF1S

1"600lb Serrated Face Flanged Double Block & Bleed Valve [Ball/Needle/Ball Configuration] with PTFE/17-4PH Trim.
1/2"NPT [F] Outlet/1/4"NPT Vent in 316ss

Do not repeat the OUTLET PART NUMBER if same as INLET

VALVE PART NUMBER and ORDERING TABLE

Series - Style	PRESSURE	BORE	Inlet Size/Type/Finish		Outlet Size/Type/Finish		Vent	* Material	Options
Barstock DF BA DF BB DF BC	F=Flange Rating A=1,000/69 S=3000/207 P=6000/414 X=10000/690	10	08	A=C150	A= Smooth	08	A=C150	1=1/4"NPT 2=1/4BS PP 3=1/2"NPT 4=1/2BS PP 5=3/4"NPT 6=3/4BS	A - Ali-Bronze C - C/Steel D - Duplex SS H - Hasteloy I - Incoloy M - Monel S - 316 SS X - SPECIAL
			10	B=C300	B= Smooth	10	B=C300		
			15	C=C600	B= Serrated	15	C=C600		
			20	D=C800	C=RTJ	20	D=C800		
			25	E=C900	H=HUB	25	E=C900		
Forged DF FA DF FB DF FC		13	32	F=C1500		32	F=C1500		
			40	G=C2500		40	G=C2500		
			46	NF=NPT(F)		46	NF=NPT(F)		
			50	NM=NPT(M)		50	NM=NPT(M)		
			54	PF=BSPP(F)		54	PF=BSPP(F)		
65	PM=BSPP(M)		65	PM=BSPP(M)					

We reserve the right to change specifications stated in this leaflet due to our continuing programme of development.

All Ball valves have lever handle as standard. Anti-Tamper Keys are always supplied separately, for security. **DF B - 01/10**

Ball & stem materials will be the same as the body material except for C/Steel which has 316 trim.
Please Note:- Valves may be covered by a different Fire-Safe Standard due to the on going development of our range. Not all material, sizes and Class ratings have been tested



Website: www.colson.co.uk



e-mail: sales@colson.co.uk Certificate No LQR 0960294
ISO 9001 Registered

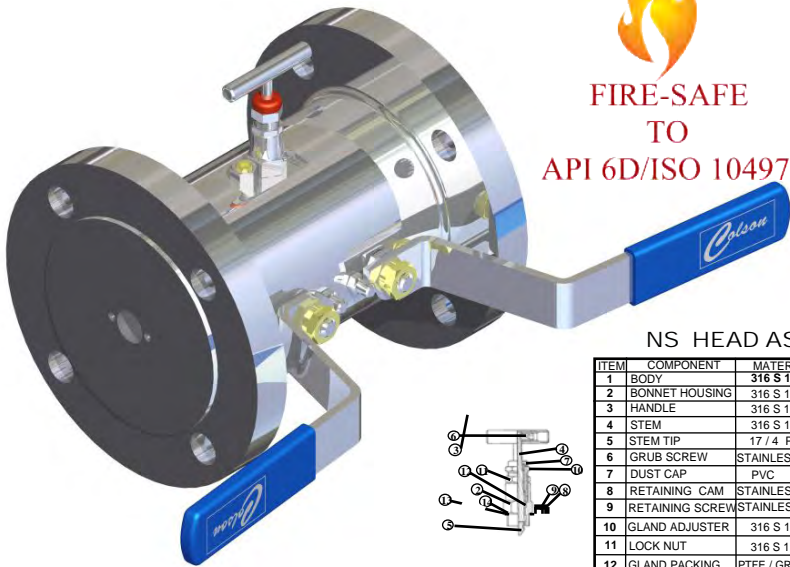
Park Works, Park Road, ELLAND
West Yorkshire. HX5 9HN - England

Tel +44 (0) 845 094 3780
Fax +44 (0) 845 094 3790

DF F

'DF' Series, 'F' Style Double Flange DBB Ball, Needle, Ball Style

DESIGN FEATURES



**FIRE-SAFE
TO
API 6D/ISO 10497***

Ball Valve

ISOLATE VALVE :-

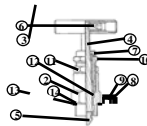
- * One Piece Body from 1 piece Forging
- * Wide choice of Flange sizes and Pressure ratings.
- * Robust HIGH pressure DESIGNED to be maintained
- * Ball Valve has anti blowout stem for safety
- * Floating ball design for positive shut-off
- * Trunnion mounted ball alternative - See 'DM T'
- * Replaceable seats & seals for extended life

Needle Vent Valve

- * Top Sealing Bonnet style
- * NON-Rotating hard tip on bleed valve for effective shut-off
- * Back sealing on the stem & adjustable gland packing
- * Stem Seal below actuating threads to prevent contamination & galling of threads
- * Metal/Metal bonnet seal for pressure tightness even at elevated temperatures
- * Bleed Port with socket pressure plug or Tube fitting
- * 316 ss to NACE Specification, Full material traceability

NS HEAD ASSY

ITEM	COMPONENT	MATERIAL
1	BODY	316 S 11 *
2	BONNET HOUSING	316 S 11 *
3	HANDLE	316 S 11
4	STEM	316 S 11
5	STEM TIP	17 / 4 PH
6	GRUB SCREW	STAINLESS STEEL
7	DUST CAP	PVC
8	RETAINING CAM	STAINLESS STEEL
9	RETAINING SCREW	STAINLESS STEEL
10	GLAND ADJUSTER	316 S 11
11	LOCK NUT	316 S 11
12	GLAND PACKING	PTFE / GRAPHOIL
13	BONNET GASKET	316 S 11
14	BONNET SEAL	V PTFE

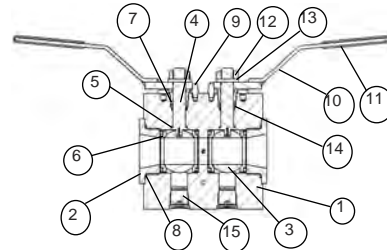


DF FCM Series
Double Block &
Bleed

DF FFM Series Double
Block & Bleed

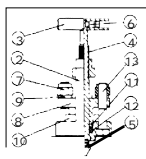
DMB BALL VALVE ASSY B/N/B

ITEM	COMPONENT	MATERIAL
1	BODY	316 S 11
2	END FLANGE	316 S 11
3	BALL	316 S 11
4	STEM	316 S 11
5	STEM SEAL	PTFE/GRAPHOIL
6	SEATS	PTFE /
7	TOP SEAL	RTFE/GRAPHO
8	END FLANGE SEAL	STAINLESS STEEL
9	PIN	STAINLESS STEEL
10	LEVER HANDLE	STAINLESS STEEL
11	HANDLE SLEEVE	PVC
12	NUT	A4 ss
13	WASHER	A4 ss
14	F.E. Seal	Viton
15	CAVITY PLUG	316 S 11



OS&Y HEAD ASSY

ITEM	COMPONENT	MATERIAL
1	FLANGE BODY	316 S 11
2	BONNET HOUSING	316 S 11
3	HANDLE	316 S 11
4	STEM	316 S 11
5	STEM TIP	17 / 4 PH
6	GRUB SCREW	STAINLESS STEEL
7	YOKE NUT	STAINLESS STEEL
8	YOKE	316 S 11
9	SPRING WASHER	STAINLESS STEEL
10	CAP SCREW	STAINLESS STEEL
11	GLAND	316 S 11
12	GLANDPACKING	PTFE / GRAPHOIL
13	YOKE ADJUST	STAINLESS
	BOLT	STEEL



**Sample Part No.
DF FCMF1925CB3S**

1"600lb Serrated Face Flanged Inlet & Outlet Double Block & Bleed Valve [B/N/B Configuration] . 1/2"NPT F Vent Valve with PTFE/17-4PH Trim in 316ss

VALVE PART NUMBER and ORDERING TABLE

Series - Style		PRESSURE	BORE / Orifice		Inlet Size/Type/Finish		Vent	Material	Options	
DF FC	B=Ball	F = Flange Rating	Ball Valves	Needle Valves	10	A=C150 B=C300 C=C600 D=C800 E=C900 F=C1500 G=C2500 For API 5K use 46 or 54	A= Smooth	D = F51 Duplex	-LK Locking Kit -AT AntiTamper Head Unit	
	E=B/N		15		B= Serrated					
	F=B/B		20							C=RTJ H=HUB
	G=B/B/B		25							
DF FF	K=B/N/N	32	1=1/4"NPT 2=1/4BSPP 3=1/2"NPT 4=1/2BSPP 5=3/4"NPT 6=3/4BSPP 7=1"NPT 8=1BSPP	L = LF2		S = F 316	-ATK A/T Key -HW Handwheel 316 SS -Tg Tagging			
	M=B/N/B	38								
		50								
		65								

We reserve the right to change specifications stated in this leaflet due to our continuing programme of development. All Ball valves have lever handle as standard. Ball & stem materials will be the same as the body material except for LF2 which has 316 trim. All Needle valves have 'T' Bar handle as standard. Anti-Tamper Keys are always supplied separately, for security.

DF F-01/10

Please Note:- Valves may be covered by a different Fire-Safe Standard due to the on going development of our range. Not all material, sizes and Class ratings have been tested



Website: www.colson.co.uk

e-mail: sales@colson.co.uk



Certificate No L RQ 0960294
ISO 9001 Registered

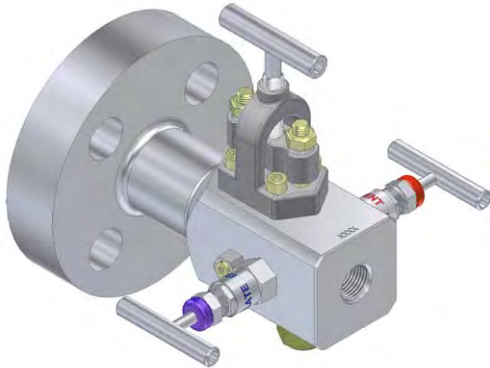
Park Works, Park Road,
ELLAND. West Yorkshire.
HX5 9HN - England

Tel +44 (0) 845 094 3780
Fax +44 (0) 845 094 3790

'DFN' Series Block & Bleed VALVES

Flanged Block & Bleed Needle Valves

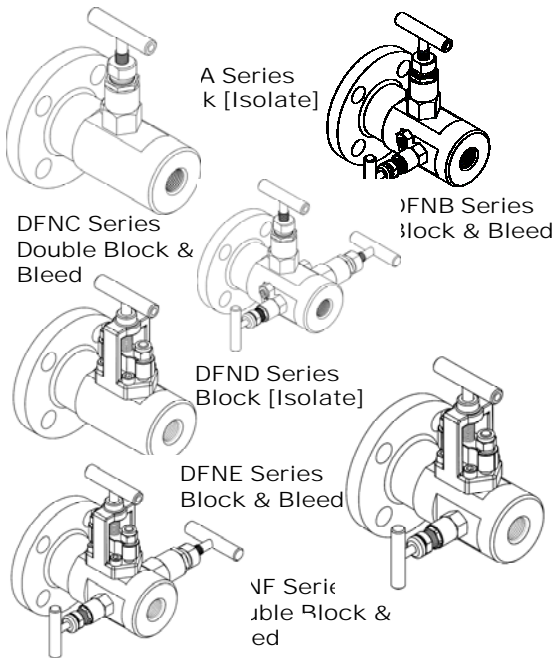
**Fire Tested Design
to BS 6755 Pt 2**



DESIGN FEATURES

ISOLATE VALVE :-

- * Top Sealing Bonnet style
 - * Wide choice of Flange sizes and Pressure ratings.
 - * Robust HIGH pressure DESIGNED to be maintained
 - * OS&Y Primary Isolate Valve optional
 - * **Large Head assembly for Primary/Secondary Isolate**
 - * NON-Rotating hard tip for effective shut-off
 - * Back sealing on the stem & adjustable gland packing
 - * Stem Seal below actuating threads to prevent contamination and gauling of threads
 - * Metal/Metal bonnet seal for pressure tightness even at elevated temperatures.
 - * Choice of Block, Block & Bleed or Double Block & Bleed
 - * 316 ss to NACE Specification, Full material traceability
- #### VENT VALVE :- as above but including
- * Anti-Tamper Head unit as option
 - * Bleed Port with socket pressure plug or Tube fitting

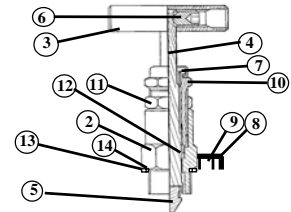
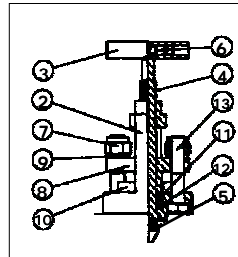


OS&Y HEAD ASSY

ITEM	COMPONENT	MATERIAL
1	FLANGE BODY	316 S 11 *
2	BONNET HOUSING	316 S 11 *
3	HANDLE	316 S 11
4	STEM	316 S 11 *
5	STEM TIP	17/4 PH *
6	GRUB SCREW	STAINLESS STEEL
7	YOKE NUT	STAINLESS STEEL
8	YOKE	316 S 11
9	SPRING WASHER	STAINLESS STEEL
10	CAP SCREW	STAINLESS STEEL
11	GLAND	316 S 11
12	GLAND PACKING	PTFE / GRAPHOIL
13	YOKE ADJUST BOLT	STAINLESS STEEL

NS HEAD ASSY

ITEM	COMPONENT	MATERIAL
1	BODY	316 S 11 *
2	BONNET HOUSING	316 S 11 *
3	HANDLE	316 S 11
4	STEM	316 S 11
5	STEM TIP	17/4 PH
6	GRUB SCREW	STAINLESS STEEL
7	DUST CAP	PVC
8	RETAINING CAM	STAINLESS STEEL
9	RETAINING SCREW	STAINLESS STEEL
10	GLAND ADJUSTER	316 S 11
11	LOCK NUT	316 S 11
12	GLAND PACKING	PTFE / GRAPHOIL
13	BONNET GASKET	316 S 11
14	BONNET SEAL	V PTFE



Part No. DFNCNF0825CB15NF1S

1"600lb Serrated Face Flanged Double Block & Bleed Valve [Needle/ Needle/Needle Configuration] with PTFE/17-4PH Trim. 1/2"NPT Outlet/1/4"NPT Vent in316ss

VALVE PART NUMBER and ORDERING TABLE								
Series - Style		PRESSURE	BORE	Inlet Size/Type/Finish	Outlet Size/Type/Finish	Vent	* Material	Options
DFNA	A=Needle	F=Flange Rating	08	08 A=C150 A= Smooth	08 A=C150 A= Smooth	1=1/4"NPT	A - All-Brnze	-AT AntiTamper
DFNB	C=N/B			10 B=C300 B= Smooth	10 B=C300 B= Smooth	2=1/4BSPP	C - C/Steel	Head Unit
DFNC	D=N/N	A=1,000/68	08	15 C=C600 C= Serrated	15 C=C600 C= Serrated	3=1/2"NPT	D - Duplex SS	-ATK A/T Key
	H=N/N/B	S=3000/204		20 D=C800 D= Serrated	20 D=C800 D= Serrated	4=1/2BSPP	H - Hasteloy	-HW Handwheel
DFND	J=N/B/B	P=6000/408		25 E=C900 E= Serrated	25 E=C900 E= Serrated	5=3/4"NPT	I - Incoloy	316 SS
DFNE	N=N/N/N	X=10000/680		32 F=C1500 F= HUB	32 F=C1500 F= HUB	6=3/4BSPP	M - Monel	-Tg Tagging
DFNF				40 G=C2500 G= HUB	40 G=C2500 G= HUB	7=1"NPT	S - 316 SS	
				46 NF=NPT(F)	46 NF=NPT(F)	8=1BSPP	X - SPECIAL	
				50 NM=NPT(M)	50 NM=NPT(M)			
				54 PF=BSPP(F)	54 PF=BSPP(F)			
				65 PM=BSPP(M)	65 PM=BSPP(M)			

We reserve the right to change specifications stated in this leaflet due to our continuing programme of development. All Needle valves have 'T' Bar handle as standard. Anti-Tamper Keys are always supplied separately, for security. (DFN - 02/04)
Do not repeat the OUTLET PART NUMBER if same as INLET



Website: www.colson.co.uk



e-mail:sales@colson.co.uk

Certificate No LRQ 0960294
ISO 9001 Registered

Park Works, Park Road, ELLAND
West Yorkshire. HX5 9HN - England

Tel +44 (0) 845 094 3780
Fax +44 (0) 845 094 3790

'Gemini' Series Double Block/Bleed

DGB

One Piece Block & Bleed Ball Valves, Needle Valve Vent

DESIGN FEATURES

ISOLATE VALVE :-

- * Firesafe Designed
- * Top Seal Adjustment independent of handle retention
- * Wide choice of Flange Rating ends- Lengths to suit application.
- * Robust HIGH pressure DESIGNED to be maintained
- * Ball Valve has anti blowout stem for safety
- * Floating ball design for positive shut-off
- * Replaceable seats & seals for extended life

VENT VALVE :-

- * NON-Rotating hard tip on bleed valve for effective shut-off
- * Back sealing on the stem & adjustable gland packing
- * Stem Seal below actuating threads to prevent contamination & gauling of threads
- * Metal/Metal bonnet seal for pressure tightness even at elevated temperatures

- * Choice of Block, Block & Bleed or Double Block& Bleed
- * Bleed Port can be supplied with plug or Tube fitting
- * 316 ss to NACE Specification & Full material traceability

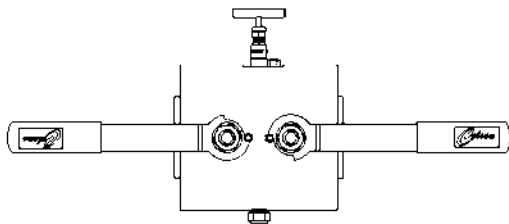


DGB BALL VALVE ASSY Block [Isolate] -

ITEM	COMPONENT	MATERIAL
1	BODY	316 S 11
2	END FLANGE	316 S 11
3	BALL	316 S 11
4	STEM	316 S 11
5	STEM SEAL	PTFE/GRAPHOIL
6	SEATS	PTFE / PVDF/PEEK
7	TOP SEAL	RTFE/GRAPHO
8	END FLANGE SEAL	PTFE/GRAPHOIL
9	PIN	STAINLESS STEEL
10	LEVER HANDLE	STAINLESS STEEL
11	HANDLE SLEEVE	PVC
12	NUT	A4 ss
13	WASHER	A4 ss
14	F.E. Seal	Viton
15	CAVITY PLUG	316 S 11

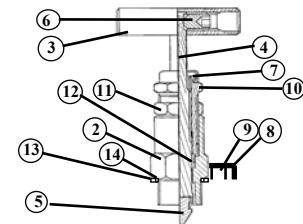
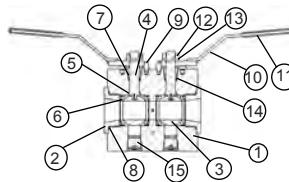
SNV HEAD ASSY

ITEM	COMPONENT	MATERIAL
1	BODY	316 S 11
2	BONNET HOUSING	316 S 11
3	HANDLE	316 S 11
4	STEM	316 S 11
5	STEM TIP	17/14 PH
6	GRUB SCREW	STAINLESS STEEL
7	DUST CAP	PVC
8	RETAINING CAM	STAINLESS STEEL
9	RETAINING SCREW	STAINLESS STEEL
10	GLAND ADJUSTER	316 S 11
11	LOCK NUT	316 S 11
12	GLAND PACKING	RTFE / GRAPHOIL
13	BONNET GASKET	316 S 11
14	BONNET SEAL	V PTFE



DGBCM

Double Block & Bleed - Ball/Needle/Ball Style



1"600lb Serrated Face Flanged Double Block & Bleed Valve [Ball/Needle/Ball Configuration] with PTFE/17-4PH Trim. 1/2"NPT Outlet/1/4"NPT Vent in316ss Length to match to Long Pattern

Part No. DGBCM F1925CB15NF1S-AL

VALVE PART NUMBER and ORDERING TABLE											
Series - Style	PRESSURE	BORE	Inlet Size/Type/Finish		Outlet Size/Type/Finish		Vent	Material	Options		
DGBC	G=B/B/B K=B/N/N M=B/N/B	F=Flange Rating	10	15	A=C150	15	A=C150	A=	1=1/4"NPT	A - Ali-Bronze	-Tg Tagging
			13	20	B=C300	20	B=C300	Smooth	2=1/4BSPP	C - C/Steel	-LK Locking Kit
			19	25	C=C600	25	C=C600	B=	3=1/2"NPT	D - Duplex SS	-AT AntiTamper
			25	32	D=C800	32	D=C800	Serrated	4=1/2BSPP	H - Hasteloy	-ATK A/T Key
			32	40	E=C900	40	E=C900	C=RTJ	5=3/4"NPT	I - Incoloy	-HW Handwheel
			38	50	F=C1500	46	F=C1500	H=HUB	6=3/4BSPP	M - Monel	-Tg Tagging
			50	54	G=C2500	46	G=C2500		7=1"NPT	S - 316 SS	-AL Long
			65	65		50			8=1BSPP	X - SPECIAL	-AS Short
			80	80		65					- Pattern
			100	100		80					- Pattern

We reserve the right to change specifications stated in this leaflet due to our continuing programme of development. All Ball valves have lever handle as standard. Anti-Tamper Keys are always supplied separately, for security. Ball & stem materials will be the same as the body material except for A105/LF2 which has 316 trim. It is always recommended that the valve is supported and not left to carry the weight of the pipework as damage may occur.

DGB - 11/10

Note- Do not repeat part number for Outlet if same as INLET



Website: www.colson.co.uk



e-mail: sales@colson.co.uk Certificate No L RQ 0960294 ISO 9001 Registered

Park Works, Park Road, ELLAND. West Yorkshire. HX5 9HN - England

Tel +44 (0) 845 094 3780
Fax +44 (0) 845 094 3790

'DM' Series 'B' Style, Block & Bleed VALVES

Modular Block & Bleed Ball Valves, Needle Valve Vent

DESIGN FEATURES


FIRE-SAFE
 TO
API 6D/ISO 10497*



ISOLATE VALVE :-

- * Firesafe tested Design to BS 6755 Pt 2
- * Top Sealing Bonnet style
- * Wide choice of Flange Rating & Threaded ends.
- * Robust HIGH pressure DESIGNED to be maintained
- * Ball Valve has anti blowout stem for safety
- * Floating ball design for positive shut-off
- * Trunnion Mounted Ball Available
- * Replaceable seats & seals for extended life

VENT VALVE :-

- * NON-Rotating hard tip on bleed valve for effective shut-off
- * Back sealing on the stem & adjustable gland packing
- * Stem Seal below actuating threads to prevent contamination & gauling of threads
- * Metal/Metal bonnet seal for pressure tightness
- * even at elevated temperatures

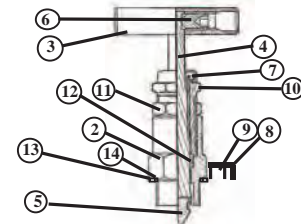
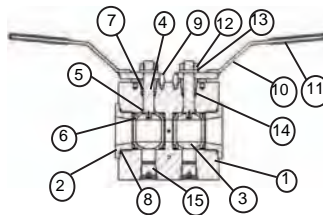
- * Choice of Block, Block & Bleed or Double Block & Bleed
- * Bleed Port with socket pressure plug or Tube fitting
- * 316 ss to NACE Specification & Full material traceability

DMB BALL VALVE ASSY B/N/B

ITEM	COMPONENT	MATERIAL
1	BODY	316 S 11
2	END FLANGE	316 S 11
3	BALL	316 S 11
4	STEM	316 S 11
5	STEM SEAL	PTFE / GRAPHOIL
6	SEATS	PTFE / PVDF/PEEK
7	TOP SEAL	RTFE/GRAPHOIL
8	END FLANGE SEAL	PTFE/GRAPHOIL
9	PIN	STAINLESS STEEL
10	LEVER HANDLE	STAINLESS STEEL
11	HANDLE SLEEVE	PVC
12	NUT	A4 ss
13	WASHER	A4 ss
14	F.E. Seal	Viton
15	CAVITY PLUG	316 S 11

SNV HEAD ASSY

ITEM	COMPONENT	MATERIAL
1	BODY	316 S 11
2	BONNET HOUSING	316 S 11
3	HANDLE	316 S 11
4	STEM	316 S 11
5	STEM TIP	17 / 4 PH
6	GRUB SCREW	STAINLESS STEEL
7	DUST CAP	PVC
8	RETAINING CAM	STAINLESS STEEL
9	RETAINING SCREW	STAINLESS STEEL
10	GLAND ADJUSTER	316 S 11
11	LOCK NUT	316 S 11
12	GLAND PACKING	RTFE / GRAPHOIL
13	BONNET GASKET	316 S 11
14	BONNET SEAL	V PTFE



1"600lb Serrated Face Flanged Double Block & Bleed Valve [Ball/Needle/Ball Configuration] with PTFE/17-4PH Trim. 1/2"NPT Outlet/1/4"NPT Vent in316ss

Part No. DM BCM F1925CB15NF1S

VALVE PART NUMBER and ORDERING TABLE

Series - Style	PRESSURE	BORE	Inlet Size/Type/Finish	Outlet Size/Type/Finish	Vent	* Material	Options
DMBA	F=Flange Rating	06	A=C150	A= Smooth	08	A - All-Bronze	-Tg Tagging
		10	B=C300	B= Serrated	10	B - C/Steel	-H Handwheel
		15	C=C600	C=RTJ	15	D - Duplex SS	-LK Locking Kit
DMBB	A=1,000/69 S=3000/207 P=6000/414 X=10000/690	13	D=C800	H=HUB	20	H - Hasteloy	-AT AntiTamper Head Unit
		20	E=C900		25	I - Incoloy	
		25	F=C1500		32	M - Monel	-ATK A/T Key
DMBC	K=B/N/N M=B/N/B	32	G=C2500		40	S - 316 SS	-HW Handwheel 316 SS
		38	NF=NPT(F) NM=NPT(M)		50	X - SPECIAL	-Tg Tagging
		50	PF=BSPP(F) PM=BSPP(M)		54		

We reserve the right to change specifications stated in this leaflet due to our continuing programme of development. All Ball valves have lever handle as standard. Anti-Tamper Keys are always supplied separately, for security. Ball & stem materials will be the same as the body material except for C/Steel which has 316 trim. It is always recommended that the valve is supported and not left to carry the weight of the pipework as damage may occur.

Please Note:- Valves may be covered by a different Fire-Safe Standard due to the on going development of our range. Not all material, sizes and Class ratings have been tested.

DM B - 01/10



Website: www.colson.co.uk

e-mail: sales@colson.co.uk



Certificate No LQR 0960294
ISO 9001 Registered

Park Works, Park Road,
ELLAND. West Yorkshire.
HX5 9HN - England

Tel +44 (0) 845 094 3780
Fax +44 (0) 845 094 3790

'DM'Series 'C'Style Double Block & Bleed

DM C

Modular Block & Bleed Chemical Injection Valves

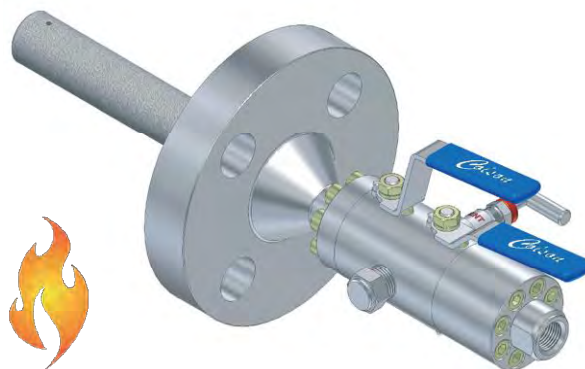
DESIGN FEATURES

ISOLATE VALVE :-

- * Top Selaing Bonnet style
- * Wide choice of Flange and/or thread sizes and Pressure Class or psi/Bar ratings. [MODULAR DESIGN]
- * Robust HIGH pressure DESIGNED to be maintained
- * OS&Y Primary Isolate Valve optional
- * **Large Head assembly for Primary Isolate**
- * NON-Rotating hard tip for effective shut-off
- * Back sealing on the stem & adjustable gland packing
- * Stem Seal below actuating threads to prevent contamination and gauling of threads
- * Metal/Metal bonnet seal for pressure tightness even at elevated temperatures.
- * Choice of Block, Block & Bleed or Double Block & Bleed
- * 316 ss to NACE Specification, Full material traceability

VENT VALVE :- as above but including

- * Anti-Tamper Head unit as option
- * Vent/outlet Port can be supplied with o.d. tube fitting



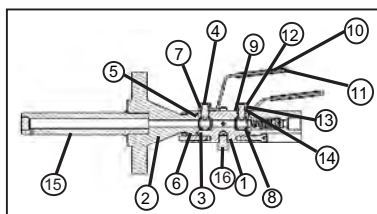
FIRE-SAFE
TO

API 6D/ISO 10497*

DM CCM

Double Block & Bleed -Ball/Needle/Ball Style-
With Non Return Valve and Nozzle fitted

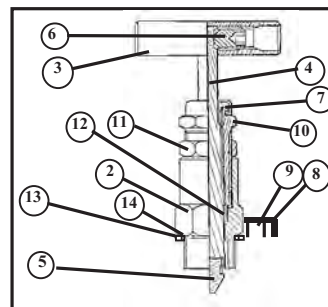
BALL VALVE ASSY



ITEM	COMPONENT	MATERIAL
1	Vent BODY	A182 F316L
2	FLANGE BODY	316 S 11
3	BALL	316 S 11
4	STEM	316 S 11
5	STEM SEAL	PTFE/GRAPHOIL
6	SEATS	PTFE / PVDF/PEEK
7	TOP SEAL	RTFE/GRAPHOIL
8	END FLANGE SEAL	PTFE/GRAPHOIL
9	PIN	STAINLESS STEEL
10	LEVER HANDLE	STAINLESS STEEL
11	HANDLE SLEEVE	PVC
12	NUT	A4 ss
13	WASHER	A4 ss
14	SPACER	316 SS
15	PROBE	316 SS
16	VENT PLUG	316 SS

SNV HEAD ASSY

ITEM	COMPONENT	MATERIAL
1	BODY	316 S 11
2	BONNET HOUSING	316 S 11
3	HANDLE	316 S 11
4	STEM	316 S 11
5	STEM TIP	17 / 4 PH
6	GRUB SCREW	STAINLESS STEEL
7	DUST CAP	PVC
8	RETAINING CAM	STAINLESS STEEL
9	RETAINING SCREW	STAINLESS STEEL
10	GLAND ADJUSTER	316 S 11
11	LOCK NUT	316 S 11
12	GLAND PACKING	RTFE / GRAPHOIL
13	BONNET GASKET	316 S 11
14	BONNET SEAL	V PTFE



Part No DM CCMF1015CA15NF3S-78

1"600lb Serrated Face Flange Double Block & Bleed Injection Valve with Probe and Check valvein 316ss Ball Valve Primary & Secondary Isolate, Needle vent valve with PTFE/17-4PH Trim. 1/2"NPT Outlet/1/4"NPT Vent

Note:-

Outlet and Inlet are reversed for Chemical Injection Valves due to their method of use.

VALVE PART NUMBER and ORDERING TABLE														
Series - Style	PRESSURE	BORE	Outlet Size/Type/Finish			Inlet Size/Type/Finish			Vent	* Material	Options	Probe Length		
DM CC	M=B/N/B	F=Flange Rating A=1,000/69 S=3000/207 P=6000/414 X=10000/690	10	08	A=C150	A=	08	A=C150	A=	1=1/4"NPT 2=1/4BSPP 3=1/2"NPT 4=1/2BSPP 5=3/4"NPT 6=3/4BSPP 7=1"NPT 8=1BSPP	A - Ali-Bronze C - C/Steel D - Duplex SS H - Hasteloy I - Incoloy M - Monel S - 316 SS X - SPECIAL	-Tg Tagging -H Handwheel -LK Locking Kit -AT AntiTamper Head Unit -ATK A/T Key -HW Handwheel 316 SS -Tg Tagging	Specify in mm	
				10	B=C300	Smooth		10	B=C300					Smooth
				15	D=C800	B=		15	D=C800					B=
				20	E=C900	Serrated		20	E=C900					Serrated
DM CC	N-N/N/N			25	F=C1500	C=RTJ	25	F=C1500	C=RTJ					
				32	G=C2500	H=HUB	32	G=C2500	H=HUB					
				40			40							
				46	NF=NPT(F)		46	NF=NPT(F)						
				50	NM=NPT(M)		50	NM=NPT(M)						
				54	PF=BSPP(F)		54	PF=BSPP(F)						
					PM=BSPP(M)			PM=BSPP(M)						

We reserve the right to change specifications stated in this leaflet due to our continuing programme of development. All Needle valves have 'T' Bar handle as standard. Anti-Tamper Keys are always supplied separately, for security. It is always advised that the valve is supported an not left to carry the weight of the pipework as damage may occur. *API Flange 1-13/16" & 2-1/16".

Please Note:- Valves may be covered by a different Fire-Safe Standard due to the on going development of our range. Not all material, sizes and Class ratings have been tested

DM C- 03/11



Website: www.colson.co.uk

e-mail: sales@colson.co.uk



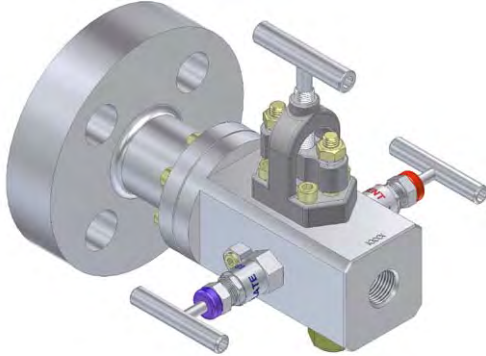
Certificate No L RQ 0960294
ISO 9001 Registered

Park Works, Park Road, ELLAND
West Yorkshire. HX5 9HN - England

Tel +44 (0) 845 094 3780
Fax +44 (0) 845 094 3790

'DBN' Series Double Block & Bleed Modular Block & Bleed Needle Valves

**Fire Tested Design
to BS 6755 Pt 2**



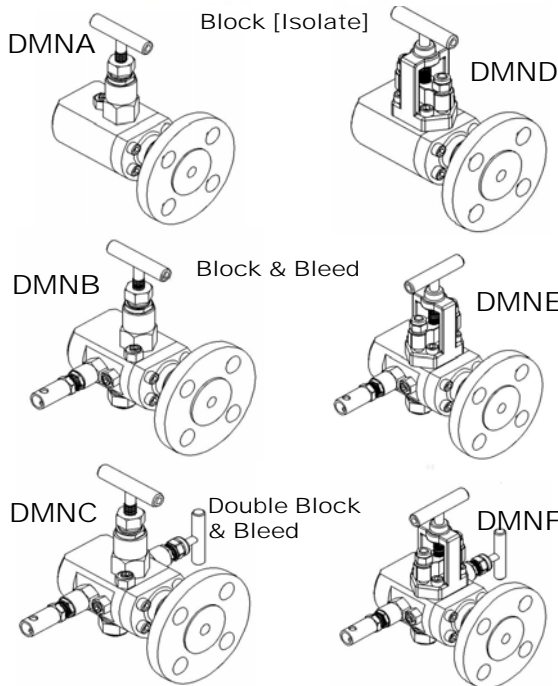
DESIGN FEATURES

ISOLATE VALVE :-

- * Top Selaing Bonnet style
- * Wide choice of Flange and/or thread sizes and Presure . Class or psi/Bar ratings. [MODULAR DESIGN]
- * Robust HIGH pressure DESIGNED to be maintained
- * OS&Y Primary Isolate Valve optional
- * **Large Head assembly for Primary Isolate**
- * NON-Rotating hard tip for effective shut-off
- * Back sealing on the stem & adjustable gland packing
- * Stem Seal below actuating threads to prevent . contamination and gauling of threads
- * Metal/Metal bonnet seal for pressure tightness . even at elevated temperatures.
- * Choice of Block, Block & Bleed or Double Block& Bleed
- * 316 ss to NACE Specification, Full material traceability

VENT VALVE :- as above but including

- * Anti-Tamper Head unit as option
- * Vent/outlet Port can be supplied with o.d. tube fitting

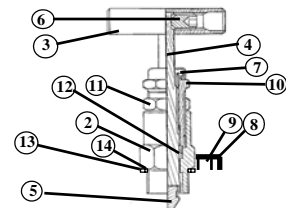
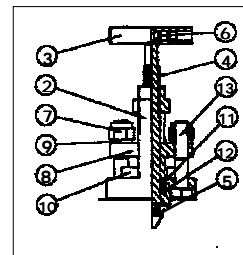


OS&Y HEAD ASSY

ITEM	COMPONENT	MATERIAL
1	FLANGE BODY	316 S 11 *
2	BONNET HOUSING	316 S 11 *
3	HANDLE	316 S 11
4	STEM	316 S 11 *
5	STEM TIP	17/4 PH *
6	GRUB SCREW	STAINLESS STEEL
7	YOKE NUT	STAINLESS STEEL
8	YOKE	316 S 11
9	SPRING WASHER	STAINLESS STEEL
10	CAP SCREW	STAINLESS STEEL
11	GLAND	316 S 11
12	GLAND PACKING	RTFE / GRAPHOIL
13	YOKE ADJUST BOLT	STAINLESS STEEL

SNV HEAD ASSY

ITEM	COMPONENT	MATERIAL
1	BODY	316 S 11
2	BONNET HOUSING	316 S 11
3	HANDLE	316 S 11
4	STEM	316 S 11
5	STEM TIP	17/4 PH
6	GRUB SCREW	STAINLESS STEEL
7	DUST CAP	PVC
8	RETAINING CAM	STAINLESS STEEL
9	RETAINING ADJUST	STAINLESS STEEL
10	GLAND ADJUSTER	316 S 11
11	LOCK NUT	316 S 11
12	GLAND PACKING	RTFE / GRAPHOIL
13	BONNET GASKET	316 S 11
14	BONNET SEAL	V PTFE



Part No. DMNFNF0825CB15NF3S

**1"600lb Serrated Face Flange Double Block & Bleed
316ss Needle Valve with OS&Y Primary Isolate
inc.PTFE/17-4PH Trim. 1/2"NPT Outlet/1/4"NPT Vent**

VALVE PART NUMBER and ORDERING TABLE									
Series - Style	PRESSURE	BORE	Inlet Size/Type/Finish		Outlet Size/Type/Finish		Vent	* Material	Options
DMNA	F=Flange Rating	05	08	A=C150	A= Smooth	08	A=C150	A - Ali-Bronze	-Tg Tagging
DMNB			10	B=C300	B= Serrated	10	B=C300	C - C/Steel	-H Handwheel
DMNC			15	C=C600	C=RTJ	15	C=C600	D - Duplex SS	-LK Locking Kit
	A=1,000/68 S=3000/204 P=6000/408 X=10000/680	08	20	D=C800	H=HUB	20	D=C800	H - Hasteloy	-AT AntiTamper
			25	E=C900		25	E=C900	I - Incoloy	Head Unit
			32	F=C1500		32	F=C1500	6=3/4BSPP	
DMND	H=N/N/B	08	40	G=C2500		40	G=C2500	M - Monel	-ATK A/T Key
DMNE			46	NF=NPT(F)		46	NF=NPT(F)	S - 316 SS	-HW Handwheel
DMNF			50	NM=NPT(M)		50	NM=NPT(M)	X - SPECIAL	316 SS
	N-N/N/N	08	54	PF=BSPP(F)		54	PF=BSPP(F)		-Tg Tagging
			54	PM=BSPP(M)		54	PM=BSPP(M)		

We reserve the right to change specifications stated in this leaflet due to our continuing programme of development. All Needle valves have 'T' Bar handle as standard. Anti-Tamper Keys are always supplied separately, for security. It is always advised that the valve is supported an not left to carry the weight of the pipework as damage may occur. *API Flange 1-13/16" & 2-1/16".

DMN - 02/04



Website: www.colson.co.uk

e-mail: sales@colson.co.uk



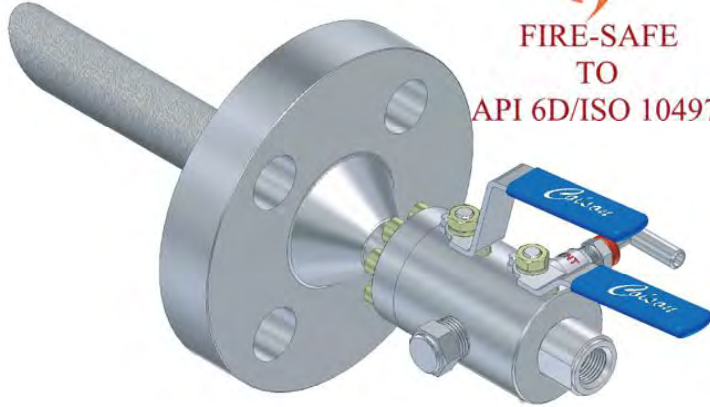
Certificate No L R Q 0960294
ISO 9001 Registered

Park Works, Park Road, ELLAND
West Yorkshire. HX5 9HN - England

Tel +44 (0) 845 094 3780
Fax +44 (0) 845 094 3790

'DM'Series 'P' Style Double Block & Bleed

Modular Block & Bleed with Sample Probe Valves



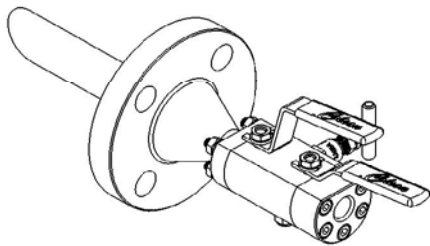
DESIGN FEATURES

ISOLATE VALVE :-

- * Top Selaing Bonnet style
 - * Wide choice of Flange and/or thread sizes and Pressure Class or psi/Bar ratings. [MODULAR DESIGN]
 - * Robust HIGH pressure DESIGNED to be maintained
 - * OS&Y Primary Isolate Valve optional
 - * **Large Head assembly for Primary Isolate**
 - * NON-Rotating hard tip for effective shut-off
 - * Back sealing on the stem & adjustable gland packing
 - * Stem Seal below actuating threads to prevent contamination and gauling of threads
 - * Metal/Metal bonnet seal for pressure tightness even at elevated temperatures.
 - * Choice of Block, Block & Bleed or Double Block& Bleed
 - * 316 ss to NACE Specification, Full material traceability
- #### VENT VALVE :- as above but including
- * Anti-Tamper Head unit as option
 - * Vent/outlet Port can be supplied with o.d. tube fitting

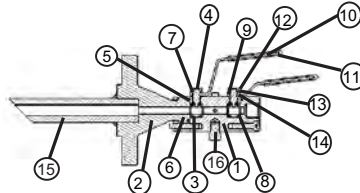
DM PCM

Double Block & Bleed -Ball/Needle/Ball Style- With Non Return Valve and Nozzle fitted



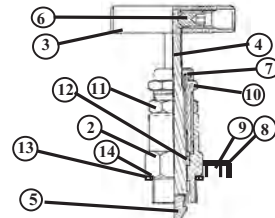
BALL VALVE ASSY

ITEM	COMPONENT	MATERIAL
1	VENT BODY	316 S 11
2	FLANGE BODY	316 S 11
3	BALL	316 S 11
4	STEM	316 S 11
5	STEM SEAL	PTFE/GRAPHOIL
6	SEATS	PTFE / PVDF/PEEK
7	TOP SEAL	RTFE/GRAPHOIL
8	END FLANGE SEAL	PTFE/GRAPHOIL
9	PIN	STAINLESS STEEL
10	LEVER HANDLE	STAINLESS STEEL
11	HANDLE SLEEVE	PVC
12	NUT	A4 ss
13	WASHER	A4 ss
14	SPACER	316 SS
15	PROBE	316 SS
16	VENT PLUG	316 SS



SNV HEAD ASSY

ITEM	COMPONENT	MATERIAL
1	BODY	316 S 11
2	BONNET HOUSING	316 S 11
3	HANDLE	316 S 11
4	STEM	316 S 11
5	STEM TIP	17 / 4 PH
6	GRUB SCREW	STAINLESS STEEL
7	DUST CAP	PVC
8	RETAINING CAM	STAINLESS STEEL
9	RETAINING SCREW	STAINLESS STEEL
10	GLAND ADJUSTER	316 S 11
11	LOCK NUT	316 S 11
12	GLAND PACKING	RTFE / GRAPHOIL
13	BONNET GASKET	316 S 11
14	BONNET SEAL	V PTFE



Part No DM PCMF1015CB15NF3S-78

1"600lb Serrated Face Flange Double Block & Bleed Sample Probe Valve in 316ss. Ball Valve Primary & Secondary Isolate, Needle vent valve with PTFE/17-4PH Trim. 1/2"NPT Outlet/1/4"NPT Vent. Probe length of 78mm.

VALVE PART NUMBER and ORDERING TABLE											
Series - Style	PRESSURE	BORE	Inlet Size/Type/Finish		Outlet Size/Type/Finish		Vent	* Material	Options	Probe Length	
DM PC	M=B/N/B	F=Flange Rating A=1,000/69 S=3000/207 P=6000/414 X=10000/690	10	08	A=C150	A= Smooth	08	A=C150	A - Ali-Bronze C - C/Steel D - Duplex SS H - Hasteloy I - Incoloy M - Monel S - 316 SS X - SPECIAL	-Tg Tagging -H Handwheel -LK Locking Kit -AT AntiTamper Head Unit -ATK A/T Key -HW Handwheel 316 SS -Tg Tagging	Specify in mm
				10	B=C300	B= Serrated	10	B=C300			
				15	C=C600	C=RTJ	15	D=C800			
				20	E=C900	H=HUB	20	E=C900			
				25	F=C1500		25	F=C1500			
DM PC	N=N/N/N		40	32	G=C2500		32	G=C2500			
				46	NF=NPT(F)		46	NF=NPT(F)			
				50	NM=NPT(M)		50	NM=NPT(M)			
				54	PF=BSPP(F)		54	PF=BSPP(F)			
					PM=BSPP(M)						

We reserve the right to change specifications stated in this leaflet due to our continuing programme of development. All Needle valves have 'T' Bar handle as standard. Anti-Tamper Keys are always supplied separately, for security. It is always advised that the valve is supported and not left to carry the weight of the pipework as damage may occur. * = API Flange 1-13/16" & 2-1/16".

Please Note:- Valves may be covered by a different Fire-Safe Standard due to the on going development of our range. Not all material, sizes and Class ratings have been tested

DM P-11/10



Website: www.colson.co.uk

e-mail: sales@colson.co.uk



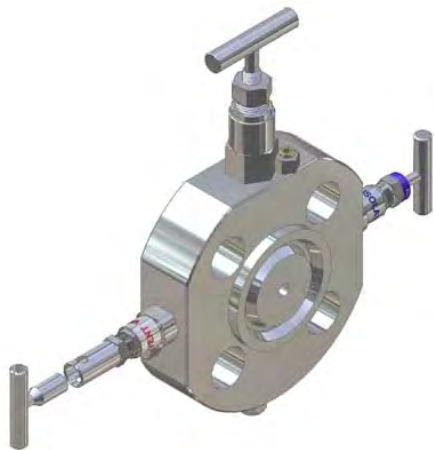
Certificate No L R Q 0960294
ISO 9001 Registered

Park Works, Park Road, ELLAND
West Yorkshire. HX5 9HN - England

Tel +44 (0) 845 094 3780
Fax +44 (0) 845 094 3790

'DMF' Series MONO Flange VALVES

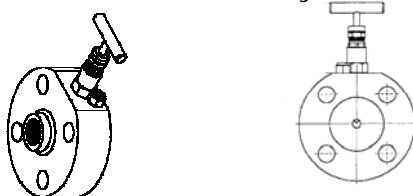
Mono Flange Valves with NS Head units



DESIGN FEATURES

- * Top Sealing Bonnet style
- * Wide choice of Flange sizes and Pressure ratings.
- * Robust HIGH pressure design
- * DESIGNED to be maintained
- * 2 piece stem with NON-Rotating tip as standard
- * Hard TIP for effective shut-off and life
- * Low operating torque, Back sealing on the stem
- * Smooth 6-7 turns from OPEN to CLOSE
- * Vent valve fitted Anti-tamper head as standard
- * 316 ss to NACE Specification
- * Choice of Block, Block & Bleed or Double Block & Bleed
- * Adjustable gland packing
- * Vent Port with socket pressure plug or Tube fitting
- * Full material traceability
- * Stem Seal below actuating threads to prevent
 - contamination & gauling of threads
- * Metal/Metal bonnet seal for pressure tightness
 - even at elevated temperatures

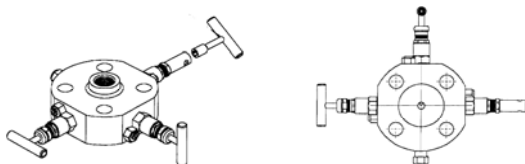
DMFA Series - Block Only



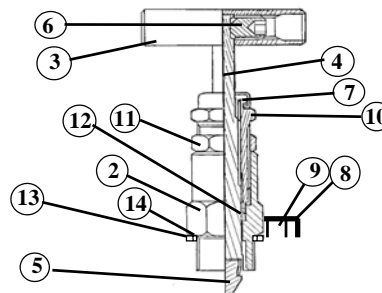
DMFB Series - Block & Bleed



DMFC Series - Double Block & Bleed



ITEM	COMPONENT	MATERIAL
1	BODY	316 S 11 *
2	BONNET HOUSING	316 S 11 *
3	HANDLE	316 S 11
4	STEM	316 S 11
5	STEM TIP	17 / 4 PH
6	GRUB SCREW	STAINLESS STEEL
7	DUST CAP	PVC
8	RETAINING CAM	STAINLESS STEEL
9	RETAINING SCREW	STAINLESS STEEL
10	GLAND ADJUSTER	316 S 11
11	LOCK NUT	316 S 11
12	GLAND PACKING	PTFE / GRAPHOIL
13	BONNET GASKET	316 S 11
14	BONNET SEAL	V PTFE



Part No. DMFCNF0825CB15NF1S

1"600lb Serrated Face Flanged Double Block & Bleed Valve [Needle/ Needle Configuration] with PTFE/17-4PH Trim. 1/2"NPT [F]Outlet/1/4"NPT [F] Vent in 316ss

VALVE PART NUMBER and ORDERING TABLE								
Series - Style	PRESSURE	BORE	Inlet Size/Type/Finish		Outlet Size/Type	Vent	* Material	Options
DMFAA = Needle	F=Flange Rating	05	08 10 15 20	A=C150 B=C300 C=C600	A= Smooth	08	NF=NPT(F) NM=NPT(M)	AT Anti Tamper Head unit
DMFBD = N/N	THREADED A=1,000/69 S=3000/207 P=6000/414 X=10000/690	08	25 32 40 46 50 54	D=C800 E=C900 F=C1500 G=C2500	B= Serrated C=RTJ	10 15 20 25	PF=BSPP(F) PM=BSPP(M) TF=BSPT(F) TM+BSPT(M)	ATK A/T Key HW Handwheel 316ss Tg Tagging
DMFCN = N/N/N							D - Duplex SS H - Hasteloy I - Incoloy M - Monel S - 316 SS X - SPECIAL	

We reserve the right to change specifications stated in this leaflet due to our continuing programme of development. All valves have 'T' Bar handle as standard. Anti-Tamper Keys are always supplied separately, for security.

DMFS - 09/09

Colson
Industries Ltd

Website: www.colson.co.uk

e-mail: sales@colson.co.uk



Certificate No LRQ 0960294
ISO 9001 Registered

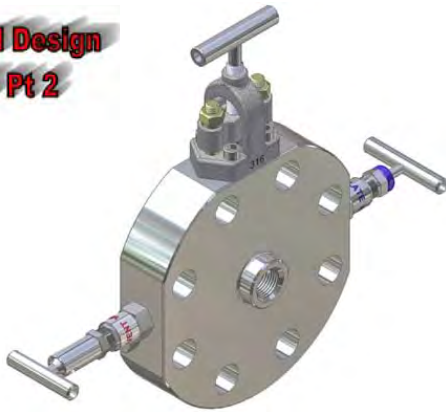
Park Works, Park Road,
ELLAND. West Yorkshire.
HX5 9HN - England

Tel +44 (0) 845 0943 780
Fax +44 (0) 845 0943 790

DMF 'DMF' Series MONO Flange VALVES

Mono Flange Valves with OS&Y Primary Head unit.

**Fire Tested Design
to BS 6755 Pt 2**



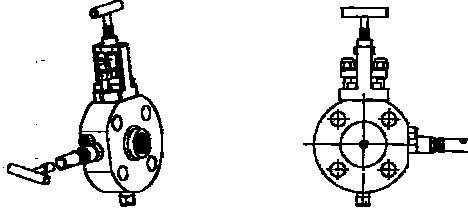
DESIGN FEATURES

- * Wide choice of Flange sizes and Pressure ratings.
- * OS & Y Primary Valve. Standard Head for Secondary Valve or choice of OS&Y unit
- * 2 piece stem with NON-Rotating tip as standard
- * Hard TIP for effective shut-off and life
- * Low operating torque, Back sealing on the stem
- * Smooth 7 turns from OPEN to CLOSE
- * Vent Valve has Anti-tamper Head unit fitted
- * 316 ss to NACE Specification
- * Choice of Block, Block & Vent or Block,Bleed & Vent.
- * Adjustable gland packing
- * Vent Port with socket pressure plug or Tube fitting
- * Full material traceability
- * Stem Seal below actuating threads to prevent contamination & gauling of threads
- * Top Sealing Metal/Metal bonnet seal for pressure tightness even at elevated temperatures

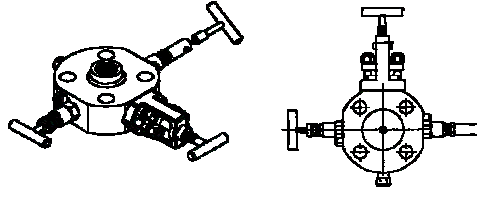
MFD Series - Block Only



MFE Series - Block & Bleed



MFF Series - Double Block & Bleed

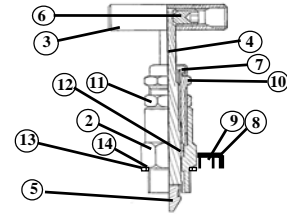
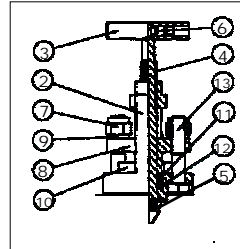


OS&Y HEAD ASSY

ITEM	COMPONENT	MATERIAL
1	FLANGE BODY	316 S 11 *
2	BONNET HOUSING	316 S 11 *
3	HANDLE	316 S 11
4	STEM	316 S 11 *
5	STEM TIP	17 / 4 PH *
6	GRUB SCREW	STAINLESS STEEL
7	YOKE NUT	STAINLESS STEEL
8	YOKE	316 S 11
9	SPRING WASHER	STAINLESS STEEL
10	CAP SCREW	STAINLESS STEEL
11	GLAND	316 S 11
12	GLAND PACKING	PTFE / GRAPHOIL
13	YOKE ADJUST BOLT	STAINLESS STEEL

NS HEAD ASSY

ITEM	COMPONENT	MATERIAL
1	BODY	316 S 11 *
2	BONNET HOUSING	316 S 11 *
3	HANDLE	316 S 11
4	STEM	316 S 11
5	STEM TIP	17 / 4 PH
6	GRUB SCREW	STAINLESS STEEL
7	DUST CAP	PVC
8	RETAINING CAM	STAINLESS STEEL
9	RETAINING SCREW	STAINLESS STEEL
10	GLAND ADJUSTER	316 S 11
11	LOCK NUT	316 S 11
12	GLAND PACKING	PTFE / GRAPHOIL
13	BONNET GASKET	316 S 11
14	BONNET SEAL	V PTFE



1"600lb Serrated Face Flanged Block & Bleed Valve [Needle/ Needle Configuration] & OS&Y Primary Isolate with PTFE/17-4PH Trim. 1/2"NPT [F] Outlet/1/4"NPT [F] Vent in 316ss

Part No.DMFEDF0825CB15NF1S

VALVE PART NUMBER and ORDERING TABLE									
Series - Style	PRESSURE	BORE	Inlet Size/Type/Finish		Outlet Size/Type/Finish	Vent	* Material	Options	
OS&Y	F=Flange Rating	08	08	A=C150	08	0=No Vent 1=1/4"NPT 2=1/4BSPP 3=1/2"NPT 4=1/2BSPP 5=3/4"NPT 6=3/4BSPP 7=1"NPT 8=1"BSPP	A - Ali-Bronze C - C/Steel D - Duplex SS H - Hasteloy I - Incoloy M - Monel S - 316 SS X - SPECIAL	AT Anti Tamper Head unit ATK A/T Key HW Handwheel 316ss Tg Tagging	
DMFDA = Needle			10	B=C300					A= Smooth
DMFED = N/N			15	C=C600					B= Serrated
DMFFN = N/N/N			20	D=C800					C=RTJ
			25	E=C900					
	THREADED- A=1,000/69 S=3000/207 P=6000/414 X=10000/690		32	F=C1500	10	PF=BSPP(F) PM=BSPP(M)			
			40	G=C2500	15				
			46		20	TF =BSPT(F) TM=BSPT(M)			
			50	NF=NPT(F) NM=NPT(M) PF=BSPP(F) PM=BSPP(M)	25				
			54						

We reserve the right to change specifications stated in this leaflet due to our continuing programme of development. All valves have 'T' Bar handle as standard. Anti-Tamper Keys are always supplied separately, for security

DMF - 09/09



Website: www.colson.co.uk

e-mail: sales@colson.co.uk



Certificate No L R Q 0960294
ISO 9001 Registered

Park Works, Park Road,
ELLAND. West Yorkshire.
HX5 9HN - England

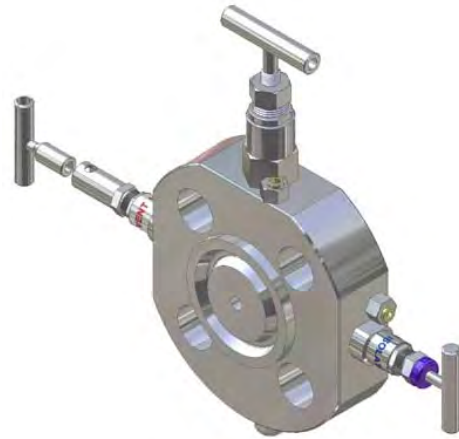
Tel +44 (0) 845 0943 780
Fax +44 (0) 845 0943 790

WAFER Style Needle Valves

DWF

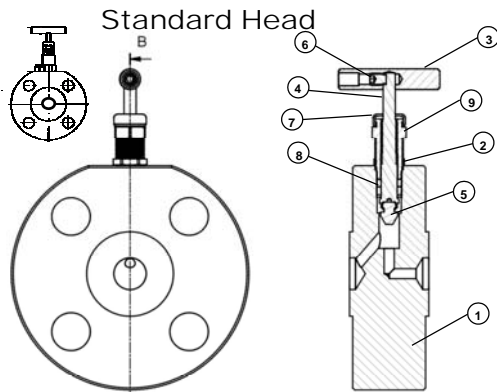
DESIGN FEATURES

- * Wide choice of Flange sizes and Pressure ratings.
- * OS & Y Primary Valve or. Standard Head unit.
- * Can be Supplied as BLOCK, BLOCK & Bleed and DOUBLE BLOCK & Bleed Styles.
- * 2 piece stem with NON-Rotating tip as standard
- * Hard TIP for effective shut-off and life
- * Low operating torque, Back sealing on the stem
- * Smooth 7 turns from OPEN to CLOSE
- * 316 ss to NACE Specification
- * Adjustable gland packing
- * Full material traceability
- * Stem Seal below actuating threads to prevent contamination & gauling of threads
- * Top Sealing Metal/Metal bonnet seal for pressure tightness even at elevated temperatures



**Fire Tested Design
to BS 6755 Pt 2**

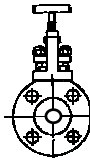
DWF Series - Block Only



Standard Head

DWF Series -OS&Y Head

DWF Series can be supplied as Block, Block & Bleed and Double Block & Bleed

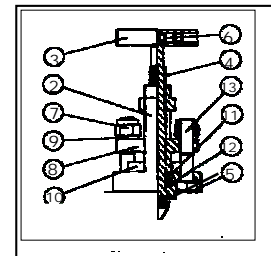
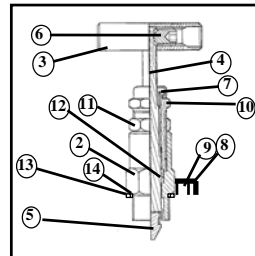


NS HEAD ASSY

ITEM	COMPONENT	MATERIAL
1	BODY	316 S 11 *
2	LOCK NUT	316 S 11 *
3	HANDLE	316 S 11
4	STEM	316 S 11 *
5	STEM TIP	17 / 4 PH
6	GRUB SCREW	STAINLESS STEEL
7	DUST CAP	PVC
8	GLAND PACKING	PTFE / GRAPHOIL
9	GLAND ADJUSTER	316 S 11

OS&Y HEAD ASSY

ITEM	COMPONENT	MATERIAL
1	FLANGE BODY	316 S 11 *
2	BONNET HOUSING	316 S 11
3	HANDLE	316 S 11 *
4	STEM	316 S 11 *
5	STEM TIP	17 / 4 PH
6	GRUB SCREW	STAINLESS STEEL
7	YOKE NUT	STAINLESS STEEL
8	YOKE	316 S 11
9	SPRING WASHER	STAINLESS STEEL
10	CAP SCREW	STAINLESS STEEL
11	GLAND	316 S 11
12	GLAND PACKING	PTFE / GRAPHOIL
13	YOKE ADJUST BOLT	STAINLESS STEEL



Part No. **DWF D A F 08 25 C B 0 S**

1"600lb Serrated Face Flanged Wafer Block Ball Valve [Needle Configuration] & OS&Y Head Unit with PTFE/17-4PH Trim. in 316ss

VALVE PART NUMBER and ORDERING TABLE										
Series	Style	Type	PRESSURE	BORE	Inlet/Outlet Size/Type/Finish		Vent	Material	Options	
DWF	A = Block	A=Needle D=N/N N=N/N/N S=N/N/N/N	F=Flange Rating A=1,000/68 S=3000/204 P=6000/408 X=10000/680	05 08	08	A=C150	A= Smooth B= Serrated C=RTJ H=HUB	0=No Vent 1=1/4"NPT 2=1/4BSPP 3=1/2"NPT 4=1/2BSPP 5=3/4"NPT 6=3/4BSPP 7=1"NPT 8=1BSPP	A - All-Bronze C - C/Steel D - Duplex SS H - Hasteloy I - Incoloy M - Monel S - 316 SS X - SPECIAL	-AT AntiTamper Head Unit -ATK A/T Key -HW Handwheel 316 SS -Tg Tagging
	B=Block & Bleed				10	B=C300				
	C=Double Block & Bleed				15	C=C600				
	D=Block OS&Y				20	D=C800				
	E=Block Bleed OS&Y				25	E=C900				
	F=D Block & Bleed OS&Y				32	F=C1500				
	G=Double Block OS&Y				40	G=C2500				
	H=Double Block OS&Y				46					
	J=D Block+D Bleed				50					
					54					
	65									

We reserve the right to change specifications stated in this leaflet due to our continuing programme of development. All valves have 'T' Bar handle as standard. Anti-Tamper Keys are always supplied separately, for security

DMFN - 07/08



Park Works, Park oad, ELLAND
West Yorkshire. HX5 9HN - England
Tel: 0845 0943 780 Fax: 0845 0943 790

Int'l. Tel: +44 0845 0943 780 Int'l. Fax: +44 0845 0943 790
Website: www.colson.co.uk e-mail:sales@colson.co.uk

DWF 'DWF' Series WAFER Style BALL VALVES

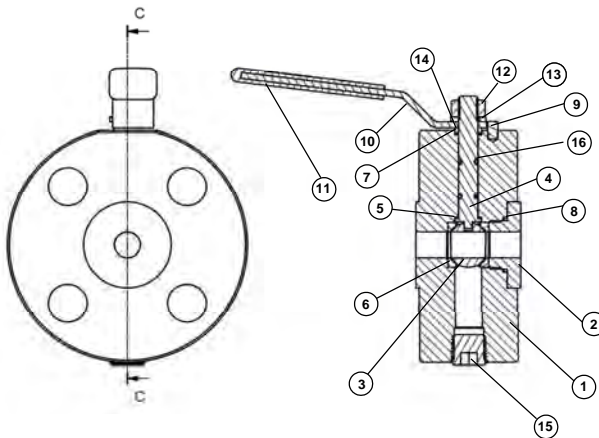
WAFER Style BALL Valves



DESIGN FEATURES

- * Wide choice of Flange sizes and Pressure ratings.
- * Robust HIGH pressure design
- * DESIGNED to be maintained
- * Anti Blow out stem as standard
- * Low operating torque,
- * Floating ball design
- * Smooth turns from OPEN to CLOSE
- * 316 ss to NACE Specification
- * Adjustable gland packing
- * Replaceable seats and seals
- * Locking Kit available
- * Full material traceability
- * Stem Seal below actuating threads to prevent contamination & gauling of threads
- * Can be actuated

MATERIALS of CONSTRUCTION - 316 Stainless Steel



ITEM	COMPONENT	MATERIAL
1	BODY	316 S 11 *
2	INSERT	316 S 11 *
3	BALL	316 S 11 *
4	STEM	316 S 11 *
5	STEM SEAL	RTFE
6	SEATS	PTFE / PVDF
7	TOP SEAL	RTFE
8	BODY SEAL	PTFE
9	PIN	STAINLESS STEEL
10	LEVER HANDLE	STAINLESS STEEL
11	HANDLE SLEEVE	PVC
12	NUT	A4 ss
13	WASHER	A4 ss
14	SPACER	316 SS
15	BODY PLUG	316 SS *
16	STEM SEAL	VITON

Part No. DWFABF1025CB0S

1"600lb Serrated Face Flanged WaferBlock Ball Valve with PVDE Seats, RTFE Seals in 316ss

VALVE PART NUMBER and ORDERING TABLE									
Series - Style	PRESSURE	BORE	Inlet/Outlet Flange Size/Type/Finish		Vent	* Material	Options		
DWFA	B=BALL	F=Flange Rating	10	15	A=C150 B=C300 C=C600 D=C800 E=C900 F=C1500 G=C2500	A= Smooth B= Serrated C=RTJ	0=No VENT	A - Ali-Bronze C - C/Steel D - Duplex SS H - Hasteloy I - Incoloy M - Monel S - 316 SS X - SPECIAL	Tg Tagging
			13	20					
			19	25					
			25	32					
			32	40					
			38	46					
			50	50					
			50	54					
			50	55					

We reserve the right to change specifications stated in this leaflet due to our continuing programme of development. All valves have 316ss Lever Handle as standard. Do not repeat the OUTLET PART NUMBER as is same as INLET

DWFB - 01/05

Colson
Industries Ltd

Website: www.colson.co.uk

e-mail: sales@colson.co.uk



Certificate No LRQ 0960294
ISO 9001 Registered

Park Works, Park Road, ELLAND
West Yorkshire. HX5 9HN - England

Tel +44 (0) 845 094 3780
Fax +44 (0) 845 094 3790

'DM'Series 'T' Style TRUNNION Mounted DBB Modular VALVES - B/N/B



FIRE-SAFE TO API 6D/ISO 10497*

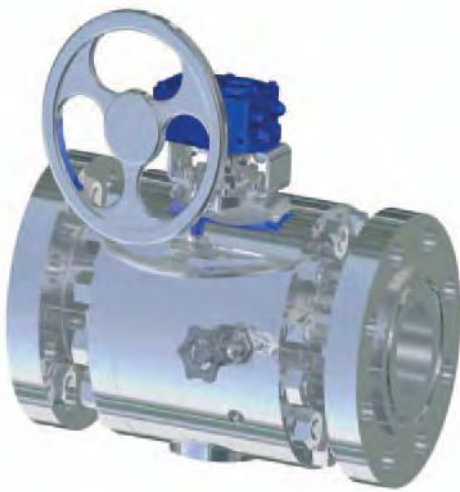
DESIGN FEATURES

ISOLATE VALVE :-

- * Firesafe Design to BS 6755 Pt 2
- * Wide choice of Flange Rating & ends.
- * Robust HIGH pressure Valve, DESIGNED to be maintained
- * Ball Valve has anti blowout stem for safety
- * Trunnion Mounted Ball design for positive shut-off
- * Floating Ball Styles Available
- * Replaceable seats & seals for extended life

VENT VALVE :-

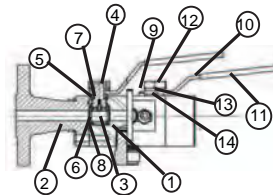
- * NON-Rotating hard tip on bleed valve for effective shut-off
- * Back sealing on the stem & adjustable gland packing
- * Stem Seal below actuating threads to prevent contamination & gauling of threads
- * Metal/Metal bonnet seal for pressure tightness even at elevated temperatures
- * Choice of Block, Block & Bleed or Double Block & Bleed
- * Bleed Port with pressure plug or Tube fitting
- * Materials to NACE Specification & Full traceability



Double Block & Bleed - Ball/Needle/Ball Style

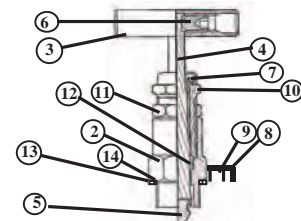
DMTCM-BALL VALVE ASSY Block [Isolate] - Ball Style

ITEM	COMPONENT	MATERIAL
1	BODY	316 S 11
2	END FLANGE	316 S 11
3	BALL	316 S 11
4	STEM	316 S 11
5	STEM SEAL	PTFE/GRAPHOIL
6	SEATS	PTFE / PVDF/PEEK
7	TOP SEAL	RTFE/GRAPHO
8	END FLANGE SEAL	PTFE/GRAPHOIL
9	PIN	STAINLESS STEEL
10	LEVER HANDLE	STAINLESS STEEL
11	HANDLE SLEEVE	PVC
12	NUT	A4 ss
13	WASHER	A4 ss
14	SPACER	316 SS



NS HEAD ASSY

ITEM	COMPONENT	MATERIAL
1	BODY	316 S 11
2	BONNET HOUSING	316 S 11
3	HANDLE	316 S 11
4	STEM	316 S 11
5	STEM TIP	17 / 4 PH
6	GRUB SCREW	STAINLESS STEEL
7	DUST CAP	PVC
8	RETAINING CAM	STAINLESS STEEL
9	RETAINING SCREW	STAINLESS STEEL
10	GLAND ADJUSTER	316 S 11
11	LOCK NUT	316 S 11
12	GLAND PACKING	RTFE / GRAPHOIL
13	BONNET GASKET	316 S 11
14	BONNET SEAL	V PTFE



Part No. DM TCM F1925CB3S

1"600lb Serrated Face Flanged Double Block & Bleed Valve [Ball/Needle/Ball Configuration] with PTFE/17-4PH Trim. 1/2"NPT Vent in316ss

VALVE PART NUMBER and ORDERING TABLE										
Series - Style	PRESSURE	BORE	Inlet Size/Type/Finish		Outlet Size/Type/Finish		Vent	Material	Options	
DMTC	M	F = Flange Rating	08	A=C150 A= Smooth B= Serrated C=RTJ H=HUB	08	A=C150 A= Smooth B= Serrated C=RTJ H=HUB	1=1/4"NPT 2=1/4BSPP 3=1/2"NPT 4=1/2BSPP 5=3/4"NPT 6=3/4BSPP 7=1"NPT 8=1BSPP	A - All-Bronze C - C/Steel D - UNS31803 Y - UNS32750 U - UNS32760 H - Hasteloy I - Incoloy M - Monel S - 316 SS X - SPECIAL	-Tg Tagging -H Handwheel -LK Locking Kit -AT AntiTammer Head Unit -ATK A/T Key -HW Handwheel 316 ss	
			10							10
			15							15
			20							20
			25							25
			32							32
			40							40
			46							46
			50							50
			54							54

We reserve the right to change specifications stated in this leaflet due to our continuing programme of development. All Ball valves have lever handle as standard. Anti-Tamper Keys are always supplied separately, for security. Ball & stem materials will be the same as the body material except for C/Steel which has 316 trim. It is always recommended that the valve is supported and not left to carry the weight of the pipe work as damage may occur.

Please Note:- Valves may be covered by a different Fire-Safe Standard due to the on going development of our range. Not all material, sizes and Class ratings have been tested.

DM T - 11/10



Website: www.colson.co.uk



e-mail: sales@colson.co.uk

Certificate No LRQ 0960294 ISO 9001 Registered

Park Works, Park Road, ELLAND, West Yorkshire, HX5 9HN - England

Tel +44 (0) 845 094 3780 Fax +44 (0) 845 094 3790



Global Supply Line - Australian Colson agent & stockist Contact us: sales@globalsupplyline.com.au, Website: www.globalsupplyline.com.au