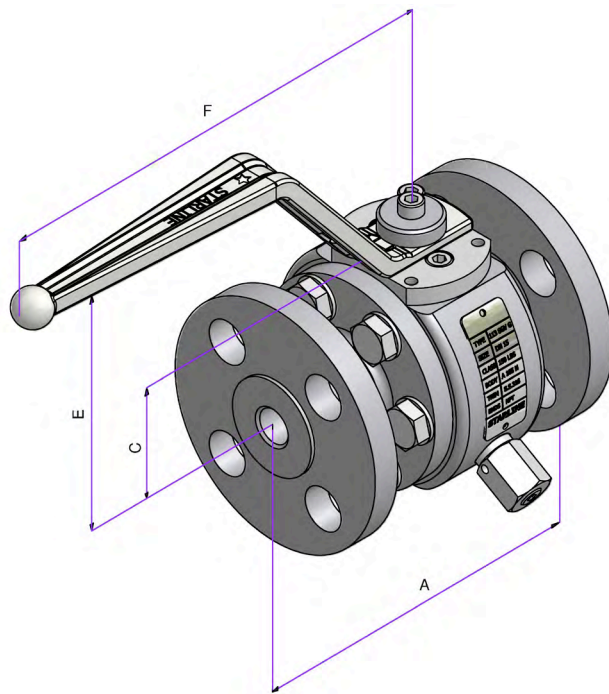
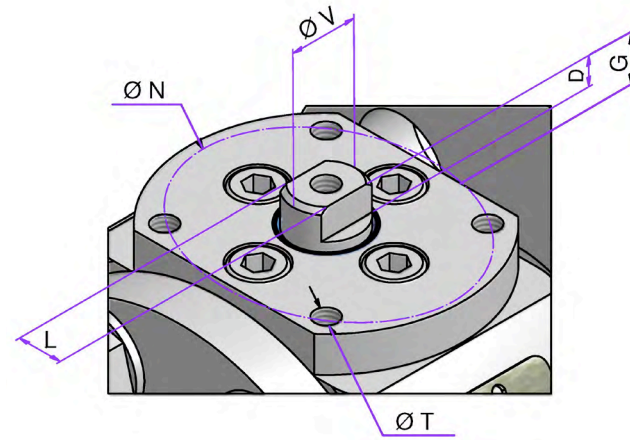


ITEM NO.	Q.TY	PART NAME	MATERIAL (LF2/F316)	MATERIAL (F316/F316)	SPECIAL
NP	1	Name Plate	Stainless Steel	Stainless Steel	
2a	*****	Top Cover Screw	ASTM A193 B8	ASTM A193 B8	
2b	*****	Trunnion Screw	ASTM A193 B8	ASTM A193 B8	
3a	1	Stem Fire Seal	Graphite	Graphite	
3b	1	Trunnion Fire Seal	Graphite	Graphite	
5	1	Upper Stem	ASTM A276/479 F316	ASTM A276/479 F316	
6	1	Top Cover	ASTM A350 LF2	ASTM A276/479 F316	
7	1	Thrust Washer	Reinforced PTFE	Reinforced PTFE	
8	*****	Stem "O" Ring	VITON	VITON	
8a	*****	Trunnion "O" Ring	VITON	VITON	
9	1	Ball	ASTM A276/479 F316	ASTM A276/479 F316	
10	2	Insert Seat	T-R-S LOW PRESSURE N-D-P-E HIGH PRESSURE	T-R-S LOW PRESSURE N-D-P-E HIGH PRESSURE	METAL SEATED
10a	2	Seat	ASTM A276/479 F316	ASTM A276/479 F316	
10b	2	Seat Seal	ASTM A276/479 F316	ASTM A276/479 F316	
11	1	Adaptor Fire Seal	Graphite	Graphite	
12	1	Body	ASTM A350 LF2	ASTM A276/479 F316	
13	1	Adaptor Flange	ASTM A350 LF2	ASTM A276/479 F316	
15 - 15a	2	Antistatic Spring	INCONEL X -750	INCONEL X -750	
16	*****	Adaptor Bolts	ASTM A320 L7M	ASTM A193 B8M	
30a - 30b - 30c	1+1+1	Bearing	ASTM A276/479 F316	ASTM A276/479 F316	
31	*****	Seat Spring	INCONEL X - 750	INCONEL X - 750	
32	1	Trunnion	ASTM A276/479 F316	ASTM A276/479 F316	
34	*****	Seat "O" Ring	VITON	VITON	
35	1	Adaptor "O" Ring	VITON	VITON	
37	1	Drain Plug	ASTM A276/479 F316	ASTM A276/479 F316	
37a	1	Drain "O" Ring	VITON	VITON	
38	1	Relief Valve	ASTM A276/479 F316	ASTM A276/479 F316	

☐ Recommended spare parts



RF-RTJ



TOP VIEW

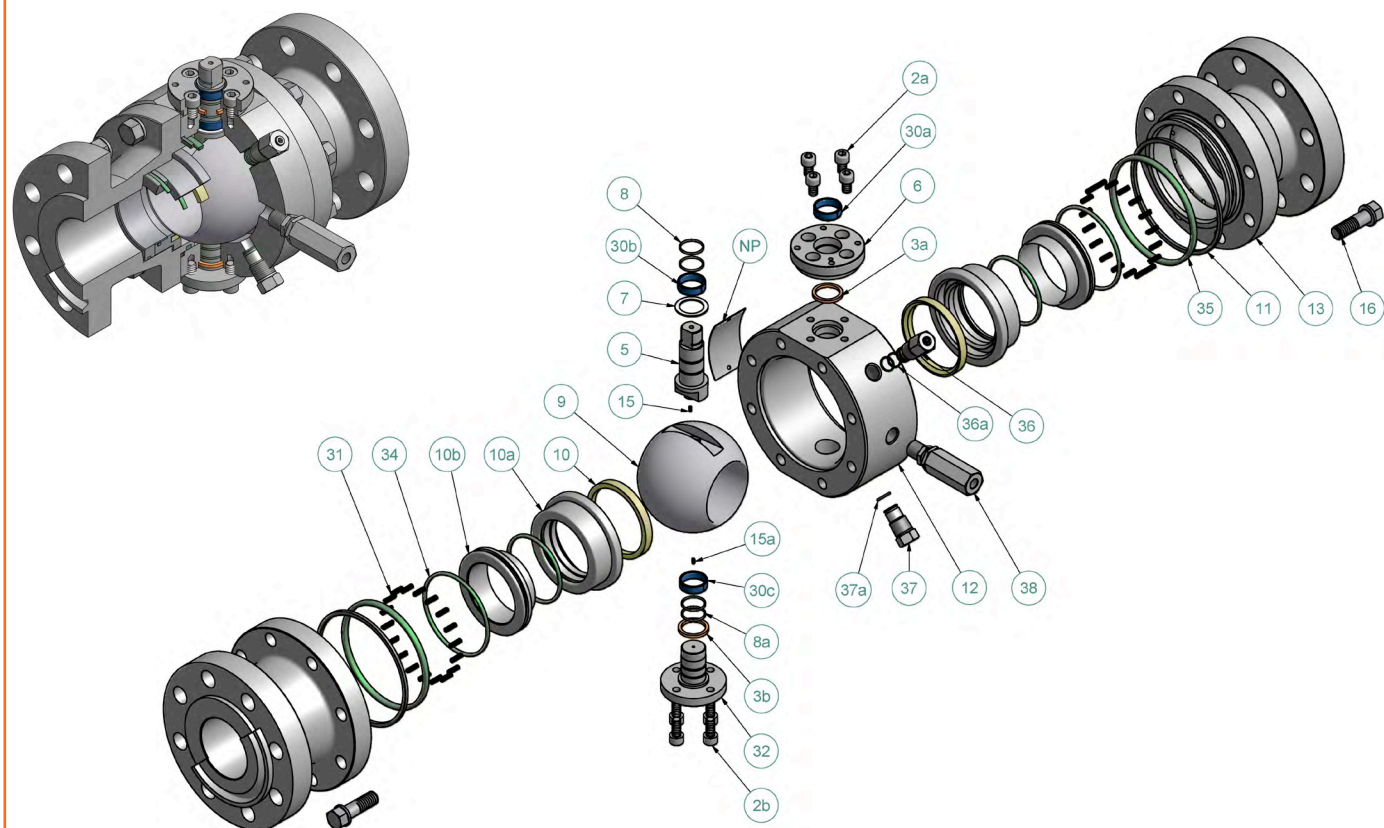
FULL BORE														
VALVE SIZE		DIMENSIONS [mm]								WEIGHT [Kg]				
INCH	mm	A				BORE	C	E	F	RF	RTJ	SW-BW	NPT/F	
		RF	RTJ	SW-BW	NPT/F									
1/2" x 1/2"	15 x 15	108	-	165	130	12.7	40	95	172.5	3.5	4	3	2.5	
3/4" x 3/4"	20 x 20	117.5	-	191	145	19	48	102	218	6	6.5	6	5.5	
1" x 1"	25 x 25	127	139.5	216	170	25.4	61	115	218	8.5	9.5	9	8.5	

MANUAL GEAR OPERATION OR AUTOMATION							
DIMENSIONS [mm]						ISO 5211	
V	L	D	G	N	T		
12	7.5	5	6.5	42	M5	F04	
15	9	7.5	8.5	50	M6	F05	
15	9	9	10	50	M6	F05	

REDUCED BORE														
VALVE SIZE		DIMENSIONS [mm]								WEIGHT [Kg]				
INCH	mm	A				BORE	C	E	F	RF	RTJ	SW-BW	NPT/F	
		RF	RTJ	SW-BW	NPT/F									
3/4" x 1/2"	20 x 15	117.5	-	191	130	12.7	40	95	172.5	5	5.5	3.5	2.5	
1" x 3/4"	25 x 20	127	139.5	216	145	19	48	102	218	6.5	7	6.5	5.5	
1.1/4" x 1"	32 x 25	139.5	152.5	229	170	25.4	61	115	218	10	11	9.5	8.5	
1.1/2" x 1"	40 x 25	165	178	241	170	25.4	61	115	218	12	13	9.5	8.5	

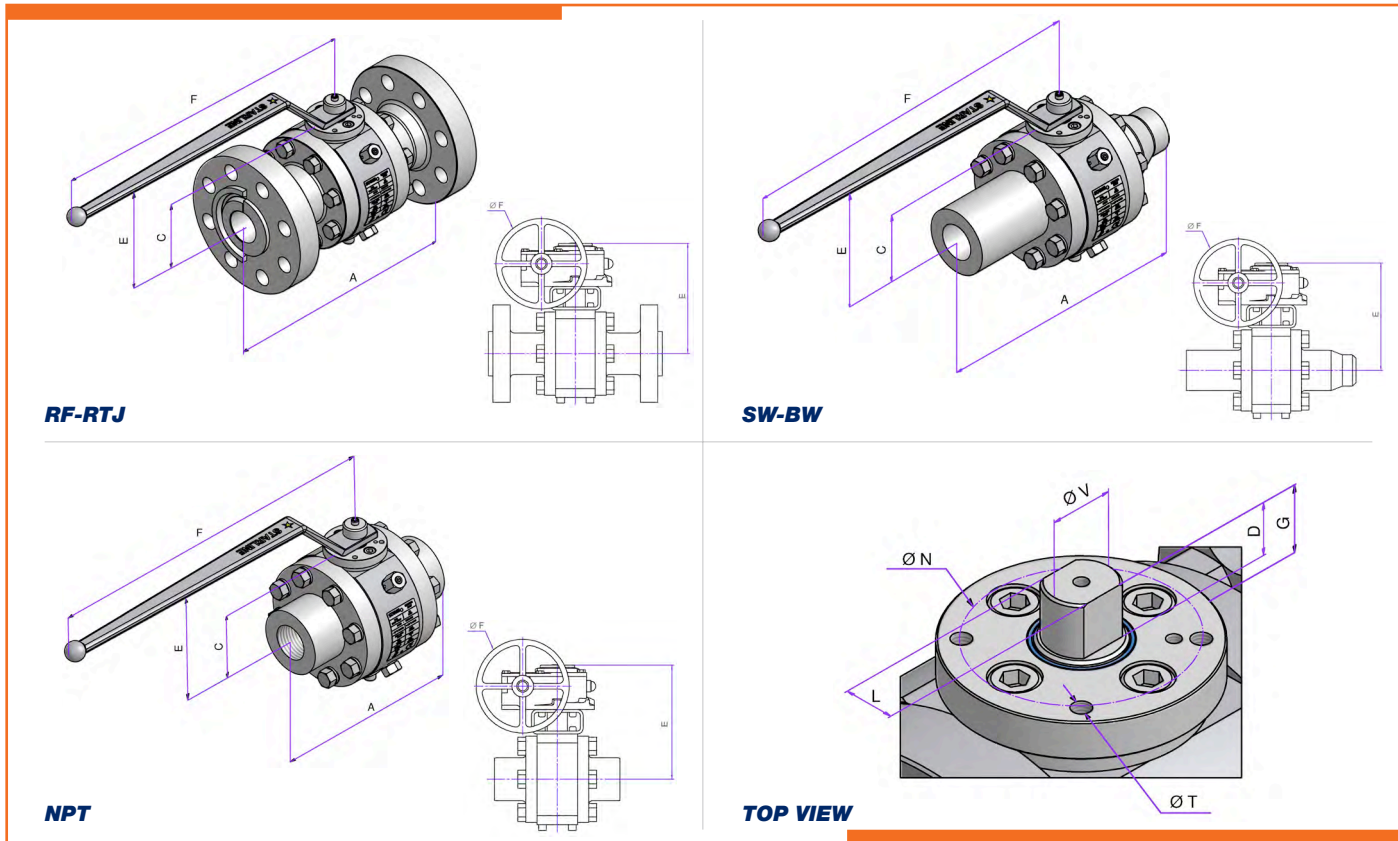
MANUAL GEAR OPERATION OR AUTOMATION							
DIMENSIONS [mm]						ISO 5211	
V	L	D	G	N	T		
12	7.5	5	6.5	42	M5	F04	
15	9	7.5	8.5	50	M6	F05	
15	9	9	10	50	M6	F05	
15	9	9	10	50	M6	F05	

Dimensions and weights are subject to change without notice.
Face to face dimensions not listed in industry standards are subject to change without notice.



ITEM NO.	Q.TY	PART NAME	MATERIAL (LF2/F316)	MATERIAL (F316/F316)	SPECIAL
NP	1	Name Plate	Stainless Steel	Stainless Steel	
2a	*****	Top Cover Screw	ASTM A193 B8	ASTM A193 B8	
2b	*****	Trunnion Screw	ASTM A193 B8	ASTM A193 B8	
3a	1	Stem Fire Seal	Graphite	Graphite	
3b	1	Trunnion Fire Seal	Graphite	Graphite	
5	1	Upper Stem	ASTM A276/479 F316	ASTM A276/479 F316	
6	1	Top Cover	ASTM A350 LF2	ASTM A276/479 F316	
7	1	Thrust Washer	Reinforced PTFE	Reinforced PTFE	
8	*****	Stem "O" Ring	VITON	VITON	
8a	*****	Trunnion "O" Ring	VITON	VITON	
9	1	Ball	ASTM A276/479 F316	ASTM A276/479 F316	
10	2	Insert Seat	T-R-S LOW PRESSURE N-D-P-E HIGH PRESSURE	T-R-S LOW PRESSURE N-D-P-E HIGH PRESSURE	METAL SEATED
10a	2	Seat	ASTM A276/479 F316	ASTM A276/479 F316	
10b	2	Seat Seal	ASTM A276/479 F316	ASTM A276/479 F316	
11	2	Adaptor Fire Seal	Graphite	Graphite	
12	1	Body	ASTM A350 LF2	ASTM A276/479 F316	
13	2	Adaptor Flange	ASTM A350 LF2	ASTM A276/479 F316	
15 - 15a	2	Antistatic Spring	INCONEL X -750	INCONEL X -750	
16	*****	Adaptor Bolts	ASTM A320 L7M	ASTM A193 B8M	
30a - 30b - 30c	1+1+1	Bearing	ASTM A276/479 F316	ASTM A276/479 F316	
31	*****	Seat Spring	INCONEL X - 750	INCONEL X - 750	
32	1	Trunnion	ASTM A276/479 F316	ASTM A276/479 F316	
33	2	Seat Fire Seal	Graphite	Graphite	
34	*****	Seat "O" Ring	VITON	VITON	
35	2	Adaptor "O" Ring	VITON	VITON	
36	1	Vent valve / bleeder	ASTM A276/479 F316	ASTM A276/479 F316	
36a	2	Vent "O" Ring	VITON	VITON	
37	1	Drain Plug	ASTM A276/479 F316	ASTM A276/479 F316	
37a	1	Drain "O" Ring	VITON	VITON	
38	1	Relief Valve	ASTM A276/479 F316	ASTM A276/479 F316	

☐ Recommended spare parts



FULL BORE													
VALVE SIZE		DIMENSIONS [mm]								WEIGHT [Kg]			
INCH	mm	A				BORE	C	E	F	RF	RTJ	SW-BW	NPT/F
		RF	RTJ	SW-BW	NPT/F								
1/2" x 1/2"	15 x 15	-	-	165	130	12.7	40	95	172.5	-	-	3	3
3/4" x 3/4"	20 x 20	-	-	191	145	19	48	102	218	-	-	6	6
1" x 1"	25 x 25	-	-	216	170	25.4	61	115	218	-	-	9	9
1.1/2" x 1.1/2"	40 x 40	165	178	241	210	38	72	130	420	14	15	12.5	12
2" x 2"	50 x 50	178	190.5	292	230	51	88	146	420	21	25	22	21
3" x 3"	80 x 80	203	216	356	-	76	120	177	420	55	57	48	-
4" x 4"	100 x 100	228.5	241	432	-	101.6	160	350	400	105	110	100	-

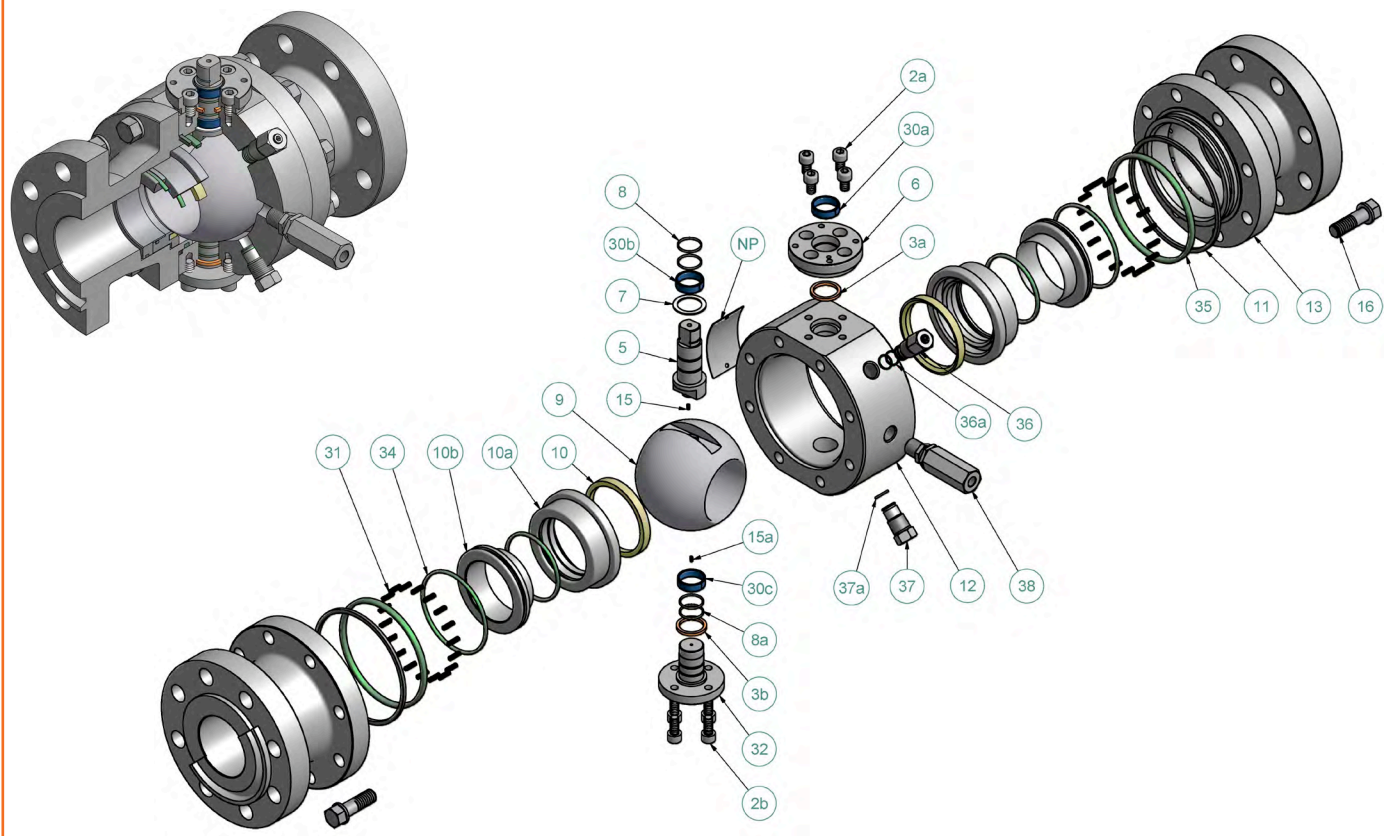
MANUAL GEAR OPERATION OR AUTOMATION							
DIMENSIONS [mm]							ISO 5211
V	L	D	G	N	T		
12	7.5	5	6.5	42	M6	F04	
15	9	7.5	8.5	50	M6	F05	
15	9	9	10	50	M6	F05	
22	16	16	19	70	M8	F07	
22	16	16	19	70	M8	F07	
24	18	22.5	24	70	M8	F07	
40	30	30	32	102	M10	F10	

REDUCED BORE													
VALVE SIZE		DIMENSIONS [mm]								WEIGHT [Kg]			
INCH	mm	A				BORE	C	E	F	RF	RTJ	SW-BW	NPT/F
		RF	RTJ	SW-BW	NPT/F								
3/4" x 1/2"	20 x 15	-	-	191	130	12.7	40	95	172.5	-	-	3.5	3.5
1" x 3/4"	25 x 20	-	-	216	145	19	48	102	218	-	-	6.5	6.5
1.1/4" x 1"	32 x 25	-	-	229	170	25.4	61	115	218	-	-	9.5	9.5
1.1/2" x 1"	40 x 25	-	-	241	170	25.4	61	115	218	-	-	9.5	9.5
2" x 1.1/2"	50 x 40	178	190.5	292	210	38	72	130	420	21	25	13.5	13.5
3" x 2"	80 x 50	203	216	356	-	51	88	146	420	55	57	55	-
4" x 3"	100 x 80	228.5	241	432	-	76	120	177	420	75	78	112	-
6" x 4"	150 x 100	394	406.5	559	-	101.6	160	350	400	115	118	112	-

MANUAL GEAR OPERATION OR AUTOMATION							
DIMENSIONS [mm]							ISO 5211
V	L	D	G	N	T		
12	7.5	5	6.5	42	M6	F04	
15	9	7.5	8.5	50	M6	F05	
15	9	9	10	50	M6	F05	
15	9	9	10	50	M6	F05	
22	16	16	19	70	M8	F07	
22	16	16	19	70	M8	F07	
24	18	22.5	24	70	M8	F07	
40	30	30	32	102	M10	F10	

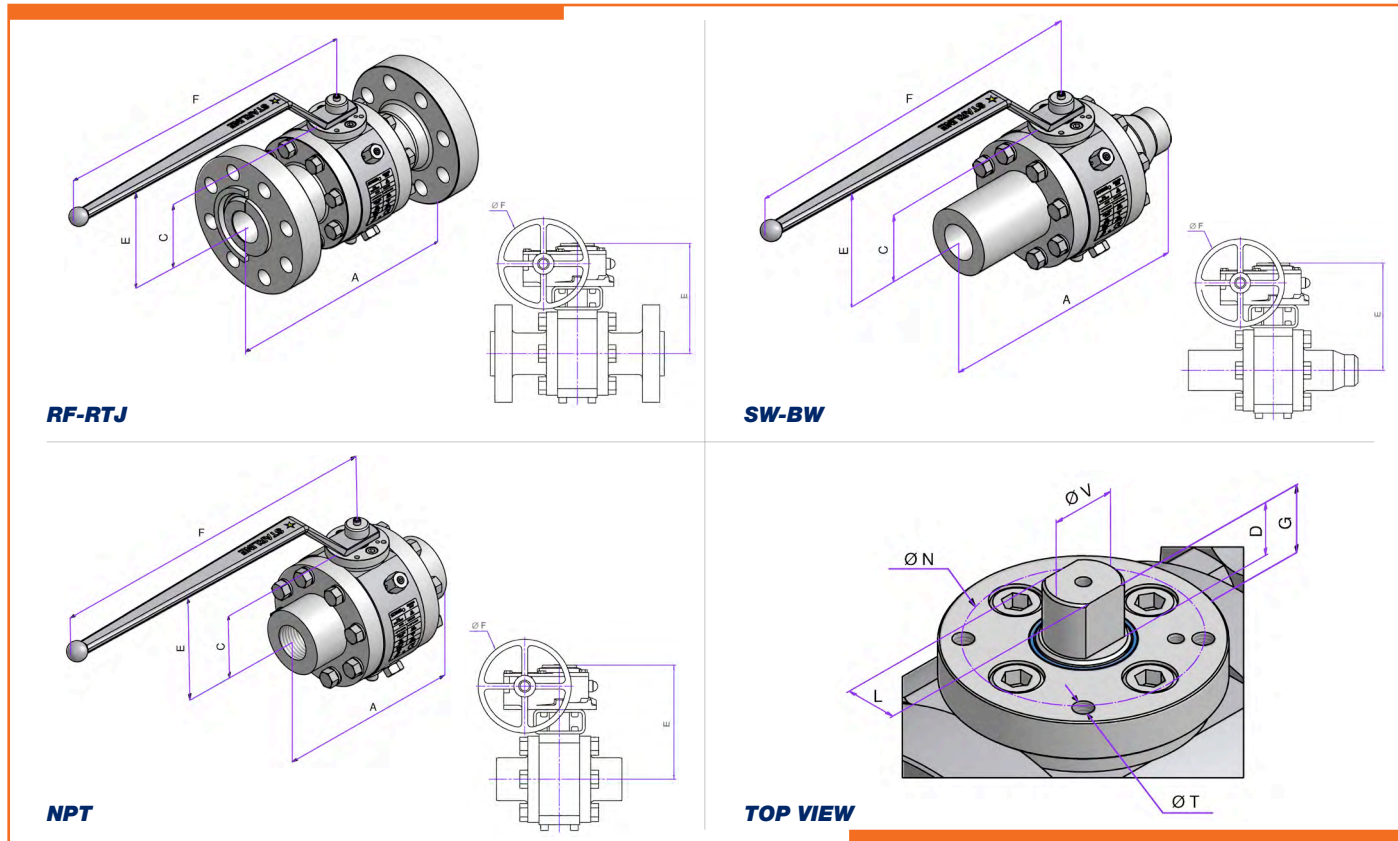
- Gear Operated
- Split Body Construction

Dimensions and weights are subject to change without notice.
Face to face dimensions not listed in industry standards are subject to change without notice.



ITEM NO.	Q.TY	PART NAME	MATERIAL (LF2/F316)	MATERIAL (F316/F316)	SPECIAL
NP	1	Name Plate	Stainless Steel	Stainless Steel	
2a	*****	Top Cover Screw	ASTM A193 B8	ASTM A193 B8	
2b	*****	Trunnion Screw	ASTM A193 B8	ASTM A193 B8	
3a	1	Stem Fire Seal	Graphite	Graphite	
3b	1	Trunnion Fire Seal	Graphite	Graphite	
5	1	Upper Stem	ASTM A276/479 F316	ASTM A276/479 F316	
6	1	Top Cover	ASTM A350 LF2	ASTM A276/479 F316	
7	1	Thrust Washer	Reinforced PTFE	Reinforced PTFE	
8	*****	Stem "O" Ring	VITON	VITON	
8a	*****	Trunnion "O" Ring	VITON	VITON	
9	1	Ball	ASTM A276/479 F316	ASTM A276/479 F316	
10	2	Insert Seat	T-R-S LOW PRESSURE N-D-P-E HIGH PRESSURE	T-R-S LOW PRESSURE N-D-P-E HIGH PRESSURE	METAL SEATED
10a	2	Seat	ASTM A276/479 F316	ASTM A276/479 F316	
10b	2	Seat Seal	ASTM A276/479 F316	ASTM A276/479 F316	
11	2	Adaptor Fire Seal	Graphite	Graphite	
12	1	Body	ASTM A350 LF2	ASTM A276/479 F316	
13	2	Adaptor Flange	ASTM A350 LF2	ASTM A276/479 F316	
15 - 15a	2	Antistatic Spring	INCONEL X -750	INCONEL X -750	
16	*****	Adaptor Bolts	ASTM A320 L7M	ASTM A193 B8M	
30a - 30b - 30c	1+1+1	Bearing	ASTM A276/479 F316	ASTM A276/479 F316	
31	*****	Seat Spring	INCONEL X - 750	INCONEL X - 750	
32	1	Trunnion	ASTM A276/479 F316	ASTM A276/479 F316	
33	2	Seat Fire Seal	Graphite	Graphite	
34	*****	Seat "O" Ring	VITON	VITON	
35	2	Adaptor "O" Ring	VITON	VITON	
36	1	Vent valve / bleeder	ASTM A276/479 F316	ASTM A276/479 F316	
36a	2	Vent "O" Ring	VITON	VITON	
37	1	Drain Plug	ASTM A276/479 F316	ASTM A276/479 F316	
37a	1	Drain "O" Ring	VITON	VITON	
38	1	Relief Valve	ASTM A276/479 F316	ASTM A276/479 F316	

Recommended spare parts



FULL BORE														
VALVE SIZE		DIMENSIONS [mm]								WEIGHT [Kg]				
INCH	mm	A				BORE	C	E	F	RF	RTJ	SW-BW	NPT/F	
		RF	RTJ	SW-BW	NPT/F									
1/2" x 1/2"	15 x 15	140	152	165	130	12.7	40	95	172.5	4	4.5	3	2.5	
3/4" x 3/4"	20 x 20	152	165	191	145	19	48	102	218	6.5	7	6	5.5	
1" x 1"	25 x 25	165	178	216	170	25.4	61	115	218	9	10	9	8.5	
1.1/2" x 1.1/2"	40 x 40	191	203	241	210	38	72	130	420	15	16	12.5	12.5	
2" x 2"	50 x 50	216	232	292	230	51	88	146	420	22	26	22	22	
3" x 3"	80 x 80	283	298	356	-	76	120	177	420	57	60	48	-	
4" x 4"	100 x 100	305	320.5	432	-	101.6	160	350	400	110	112	98	-	

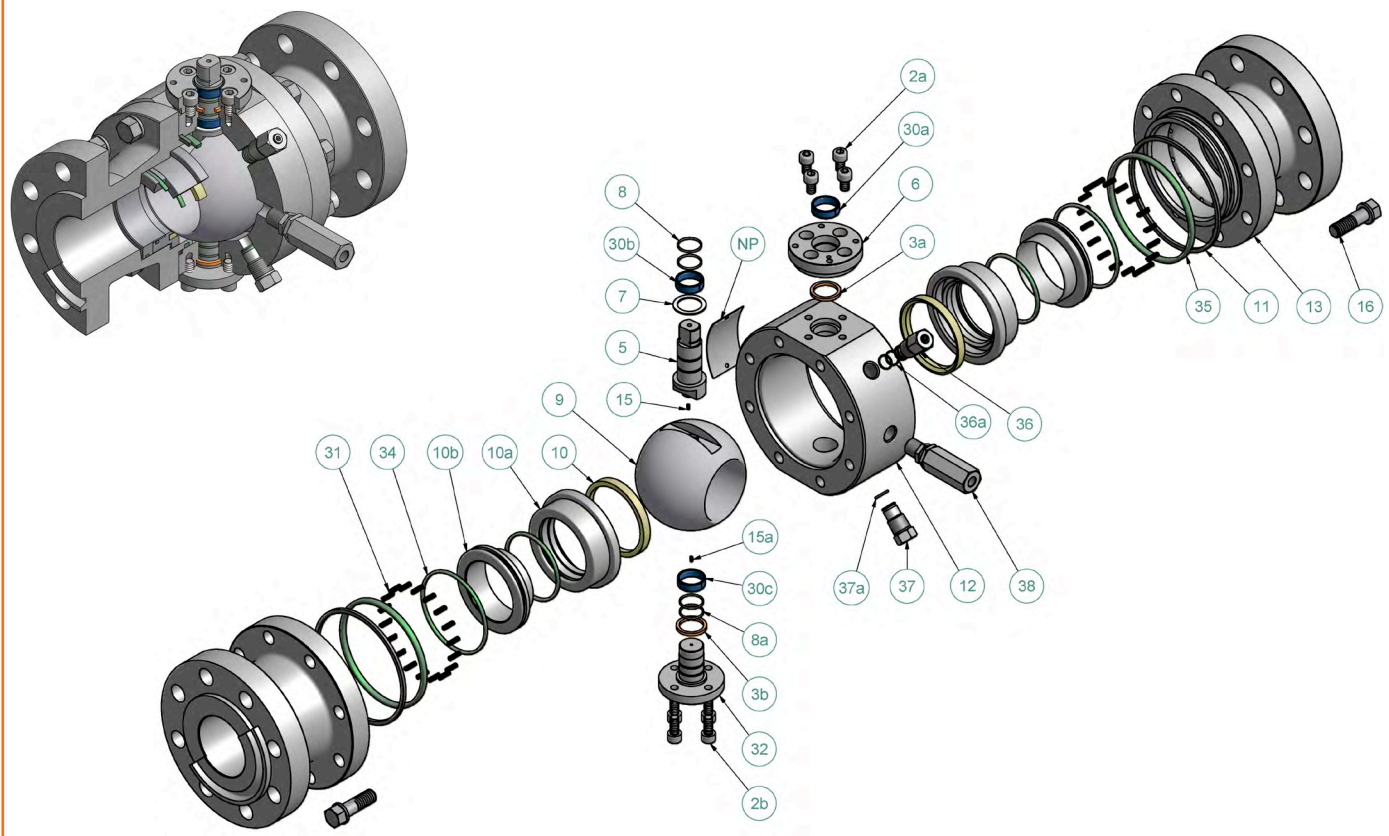
MANUAL GEAR OPERATION OR AUTOMATION							
DIMENSIONS [mm]							ISO 5211
V	L	D	G	N	T		
12	7.5	5	6.5	42	M5	F04	
15	9	7.5	8.5	50	M6	F05	
15	9	9	10	50	M6	F05	
22	16	16	19	70	M8	F07	
22	16	16	19	70	M8	F07	
24	18	22.5	24	70	M8	F07	
40	30	30	32	102	M10	F10	

REDUCED BORE														
VALVE SIZE		DIMENSIONS [mm]								WEIGHT [Kg]				
INCH	mm	A				BORE	C	E	F	RF	RTJ	SW-BW	NPT/F	
		RF	RTJ	SW-BW	NPT/F									
3/4" x 1/2"	20 x 15	152	165	191	130	12.7	40	95	172.5	5.5	6	3.5	2.5	
1" x 3/4"	25 x 20	165	178	216	145	19	48	102	218	7	7.5	6.5	5.5	
1.1/4" x 1"	32 x 25	178	191	229	170	25.4	61	115	218	11	12	9.5	8.5	
1.1/2" x 1"	40 x 25	191	203	241	170	25.4	61	115	218	13	14	9.5	8.5	
2" x 1.1/2"	50 x 40	216	232	292	210	38	72	130	420	21	22	13.5	12	
3" x 2"	80 x 50	283	298	356	-	51	88	146	420	32	34	24	-	
4" x 3"	100 x 80	305	320.5	432	-	76	120	177	420	75	82	55	-	
6" x 4"	150 x 100	403	419	559	-	101.6	160	350	400	120	124	112	-	

MANUAL GEAR OPERATION OR AUTOMATION							
DIMENSIONS [mm]							ISO 5211
V	L	D	G	N	T		
12	7.5	5	6.5	42	M5	F04	
15	9	7.5	8.5	50	M6	F05	
15	9	9	10	50	M6	F05	
15	9	9	10	50	M6	F05	
22	16	16	19	70	M8	F07	
22	16	16	19	70	M8	F07	
24	18	22.5	24	70	M8	F07	
40	30	30	32	102	M10	F10	

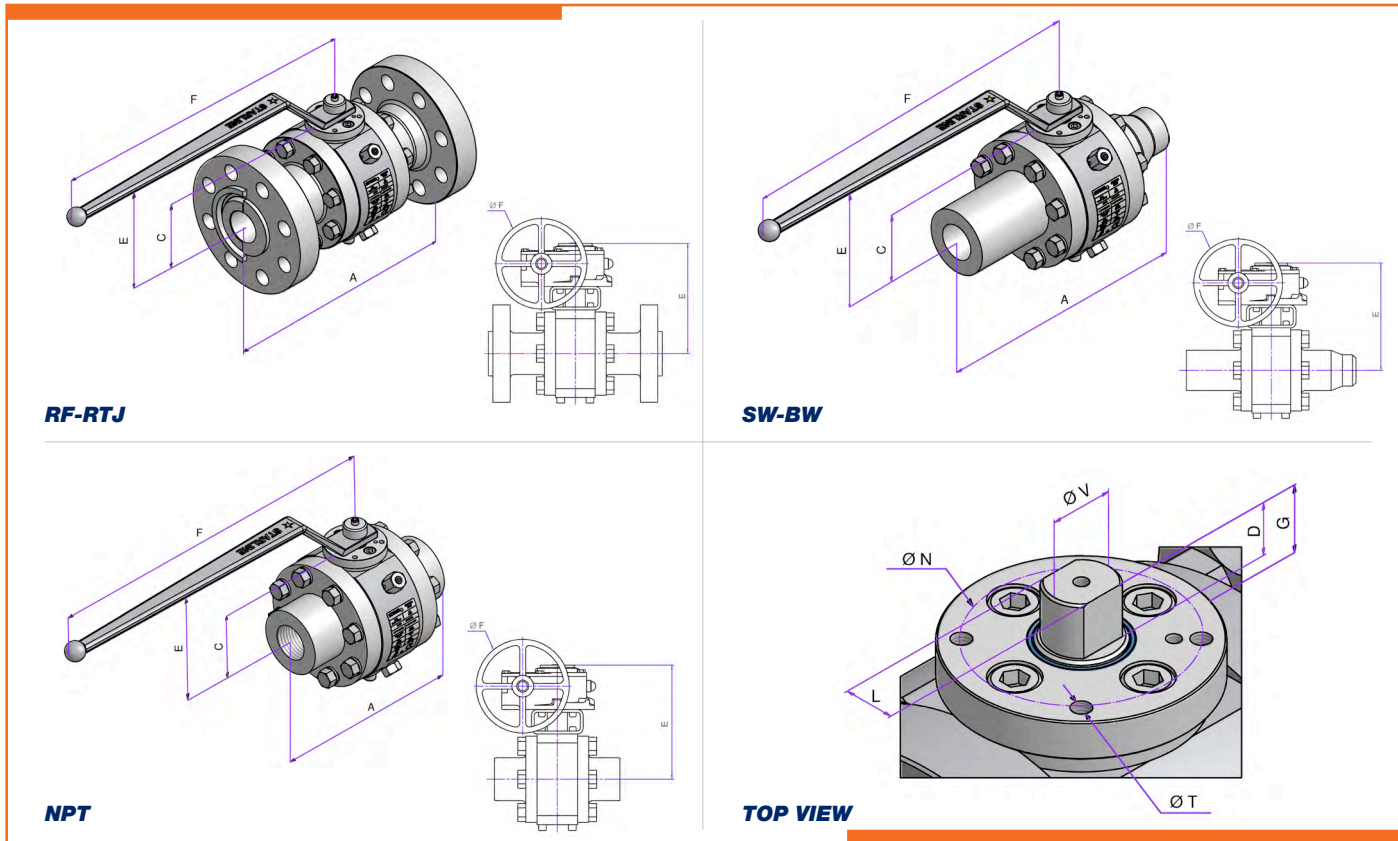
Gear Operated

Dimensions and weights are subject to change without notice.
Face to face dimensions not listed in industry standards are subject to change without notice.



ITEM NO.	Q.TY	PART NAME	MATERIAL (LF2/F316)	MATERIAL (F316/F316)	SPECIAL
NP	1	Name Plate	Stainless Steel	Stainless Steel	
2a	*****	Top Cover Screw	ASTM A193 B8	ASTM A193 B8	
2b	*****	Trunnion Screw	ASTM A193 B8	ASTM A193 B8	
3a	1	Stem Fire Seal	Graphite	Graphite	
3b	1	Trunnion Fire Seal	Graphite	Graphite	
5	1	Upper Stem	ASTM A276/479 F316	ASTM A276/479 F316	
6	1	Top Cover	ASTM A350 LF2	ASTM A276/479 F316	
7	1	Thrust Washer	Reinforced PTFE	Reinforced PTFE	
8	*****	Stem "O" Ring	VITON	VITON	
8a	*****	Trunnion "O" Ring	VITON	VITON	
9	1	Ball	ASTM A276/479 F316	ASTM A276/479 F316	
10	2	Insert Seat	T-R-S LOW PRESSURE N-D-P-E HIGH PRESSURE	T-R-S LOW PRESSURE N-D-P-E HIGH PRESSURE	METAL SEATED
10a	2	Seat	ASTM A276/479 F316	ASTM A276/479 F316	
10b	2	Seat Seal	ASTM A276/479 F316	ASTM A276/479 F316	
11	2	Adaptor Fire Seal	Graphite	Graphite	
12	1	Body	ASTM A350 LF2	ASTM A276/479 F316	
13	2	Adaptor Flange	ASTM A350 LF2	ASTM A276/479 F316	
15 - 15a	2	Antistatic Spring	INCONEL X -750	INCONEL X -750	
16	*****	Adaptor Bolts	ASTM A320 L7M	ASTM A193 B8M	
30a - 30b - 30c	1+1+1	Bearing	ASTM A276/479 F316	ASTM A276/479 F316	
31	*****	Seat Spring	INCONEL X - 750	INCONEL X - 750	
32	1	Trunnion	ASTM A276/479 F316	ASTM A276/479 F316	
33	2	Seat Fire Seal	Graphite	Graphite	
34	*****	Seat "O" Ring	VITON	VITON	
35	2	Adaptor "O" Ring	VITON	VITON	
36	1	Vent valve / bleeder	ASTM A276/479 F316	ASTM A276/479 F316	
36a	2	Vent "O" Ring	VITON	VITON	
37	1	Drain Plug	ASTM A276/479 F316	ASTM A276/479 F316	
37a	1	Drain "O" Ring	VITON	VITON	
38	1	Relief Valve	ASTM A276/479 F316	ASTM A276/479 F316	

Recommended spare parts



FULL BORE														
VALVE SIZE		DIMENSIONS [mm]								WEIGHT [Kg]				
INCH	mm	A				BORE	C	E	F	RF	RTJ	SW-BW	NPT/F	
		RF	RTJ	SW-BW	NPT/F									
1/2" x 1/2"	15 x 15	165	163.5	165	130	12.7	40	95	172.5	4.5	4.5	3	2.5	
3/4" x 3/4"	20 x 20	191	191	191	145	19	48	102	218	7	7	6	5.5	
1" x 1"	25 x 25	216	216	216	170	25.4	61	115	218	10	10	9	8.5	
1.1/2" x 1.1/2"	40 x 40	241	241	241	210	38	72	130	420	16	16	12.5	12	
2" x 2"	50 x 50	292	295	292	230	51	88	146	420	26	27	22	21	
3" x 3"	80 x 80	356	359	356	-	76	120	177	420	53	54	48	-	
4" x 4"	100 x 100	432	435	432	-	101.6	160	350	400	120	122	110	-	

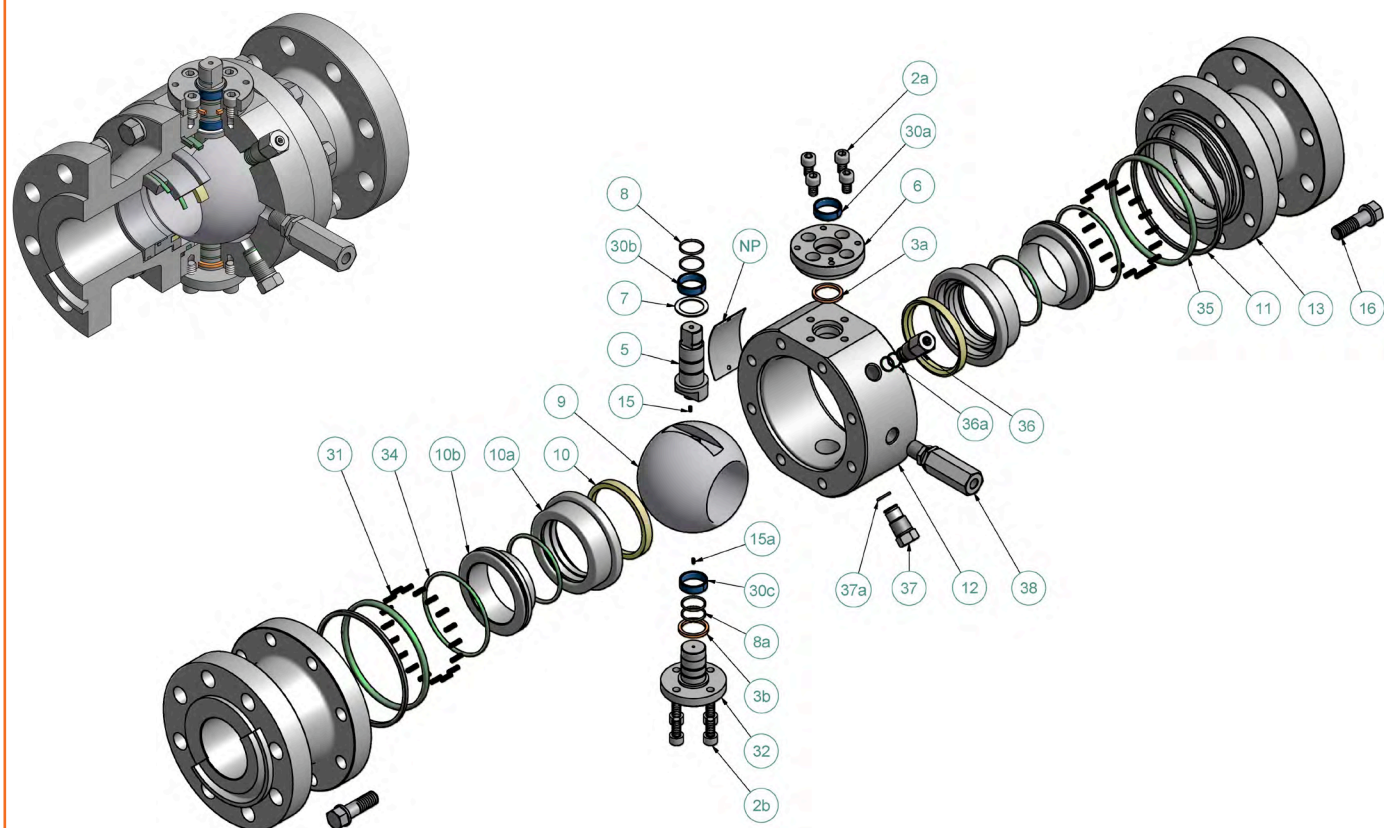
MANUAL GEAR OPERATION OR AUTOMATION							
DIMENSIONS [mm]						ISO 5211	
V	L	D	G	N	T		
12	7.5	5	6.5	42	M5	F04	
15	9	7.5	8.5	50	M6	F05	
15	9	9	10	50	M6	F05	
22	16	16	19	70	M8	F07	
22	16	16	19	70	M8	F07	
24	18	22.5	24	70	M8	F07	
40	30	30	32	102	M10	F10	

REDUCED BORE														
VALVE SIZE		DIMENSIONS [mm]								WEIGHT [Kg]				
INCH	mm	A				BORE	C	E	F	RF	RTJ	SW-BW	NPT/F	
		RF	RTJ	SW-BW	NPT/F									
3/4" x 1/2"	20 x 15	191	191	191	130	12.7	40	95	172.5	5.5	5.5	3.5	2.5	
1" x 3/4"	25 x 20	216	216	216	145	19	48	102	218	8	8	6.5	5.5	
1.1/4" x 1"	32 x 25	229	229	229	170	25.4	61	115	218	12	12	9.5	8.5	
1.1/2" x 1"	40 x 25	241	241	241	170	25.4	61	115	218	15	15	9.5	8.5	
2" x 1.1/2"	50 x 40	292	295	292	210	38	72	130	420	25	25.5	13.5	12	
3" x 2"	80 x 50	356	359	356	-	51	88	146	420	35	36	24	-	
4" x 3"	100 x 80	436	435	432	-	76	120	177	420	65	67	55	-	
6" x 4"	150 x 100	559	562	559	-	101.6	160	350	400	160	165	112	-	

MANUAL GEAR OPERATION OR AUTOMATION							
DIMENSIONS [mm]						ISO 5211	
V	L	D	G	N	T		
12	7.5	5	6.5	42	M5	F04	
15	9	7.5	8.5	50	M6	F05	
15	9	9	10	50	M6	F05	
15	9	9	10	50	M6	F05	
22	16	16	19	70	M8	F07	
22	16	16	19	70	M8	F07	
24	18	22.5	24	70	M8	F07	
40	30	30	32	102	M10	F10	

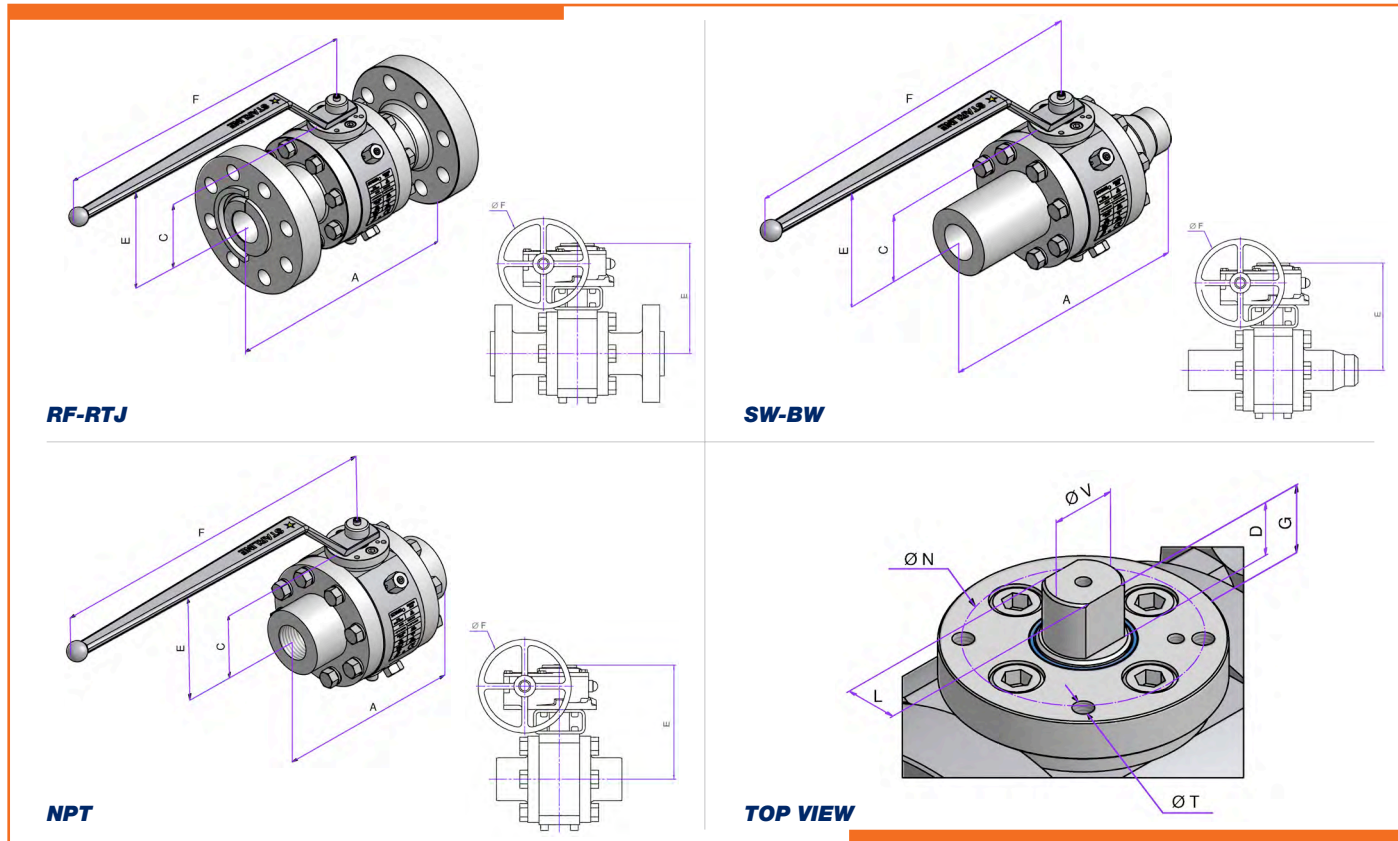
Gear Operated

Dimensions and weights are subject to change without notice.
Face to face dimensions not listed in industry standards are subject to change without notice.



ITEM NO.	Q.TY	PART NAME	MATERIAL (LF2/F316)	MATERIAL (F316/F316)	SPECIAL
NP	1	Name Plate	Stainless Steel	Stainless Steel	
2a	*****	Top Cover Screw	ASTM A193 B8	ASTM A193 B8	
2b	*****	Trunnion Screw	ASTM A193 B8	ASTM A193 B8	
3a	1	Stem Fire Seal	Graphite	Graphite	
3b	1	Trunnion Fire Seal	Graphite	Graphite	
5	1	Upper Stem	ASTM A276/479 F316	ASTM A276/479 F316	
6	1	Top Cover	ASTM A350 LF2	ASTM A276/479 F316	
7	1	Thrust Washer	Reinforced PTFE	Reinforced PTFE	
8	*****	Stem "O" Ring	VITON	VITON	
8a	*****	Trunnion "O" Ring	VITON	VITON	
9	1	Ball	ASTM A276/479 F316	ASTM A276/479 F316	
10	2	Insert Seat	T-R-S LOW PRESSURE N-D-P-E HIGH PRESSURE	T-R-S LOW PRESSURE N-D-P-E HIGH PRESSURE	METAL SEATED
10a	2	Seat	ASTM A276/479 F316	ASTM A276/479 F316	
10b	2	Seat Seal	ASTM A276/479 F316	ASTM A276/479 F316	
11	2	Adaptor Fire Seal	Graphite	Graphite	
12	1	Body	ASTM A350 LF2	ASTM A276/479 F316	
13	2	Adaptor Flange	ASTM A350 LF2	ASTM A276/479 F316	
15 - 15a	2	Antistatic Spring	INCONEL X -750	INCONEL X -750	
16	*****	Adaptor Bolts	ASTM A320 L7M	ASTM A193 B8M	
30a - 30b - 30c	1+1+1	Bearing	ASTM A276/479 F316	ASTM A276/479 F316	
31	*****	Seat Spring	INCONEL X - 750	INCONEL X - 750	
32	1	Trunnion	ASTM A276/479 F316	ASTM A276/479 F316	
33	2	Seat Fire Seal	Graphite	Graphite	
34	*****	Seat "O" Ring	VITON	VITON	
35	2	Adaptor "O" Ring	VITON	VITON	
36	1	Vent valve / bleeder	ASTM A276/479 F316	ASTM A276/479 F316	
36a	2	Vent "O" Ring	VITON	VITON	
37	1	Drain Plug	ASTM A276/479 F316	ASTM A276/479 F316	
37a	1	Drain "O" Ring	VITON	VITON	
38	1	Relief Valve	ASTM A276/479 F316	ASTM A276/479 F316	

Recommended spare parts



FULL BORE													
VALVE SIZE		DIMENSIONS [mm]								WEIGHT [Kg]			
INCH	mm	A				BORE	C	E	F	RF	RTJ	SW-BW	NPT/F
		RF	RTJ	SW-BW	NPT/F								
1/2" x 1/2"	15 x 15	216	216	216	130	12.7	40	95	172.5	5	5	3.5	3
3/4" x 3/4"	20 x 20	229	229	229	145	19	48	102	218	11	11	9.5	8.5
1" x 1"	25 x 25	254	254	254	170	25.4	61	115	218	18	18	15	14
1.1/2" x 1.1/2"	40 x 40	305	305	305	220	38	90	147	420	34	34	30	27
2" x 2"	50 x 50	368	371	368	240	51	100	158	420	50	50	45	40
3" x 3"	80 x 80	381	384	381	-	76	148	335	400	85	86	50	-
4" x 4"	100 x 100	457	460	457	-	101.6	188	380	400	170	175	150	-

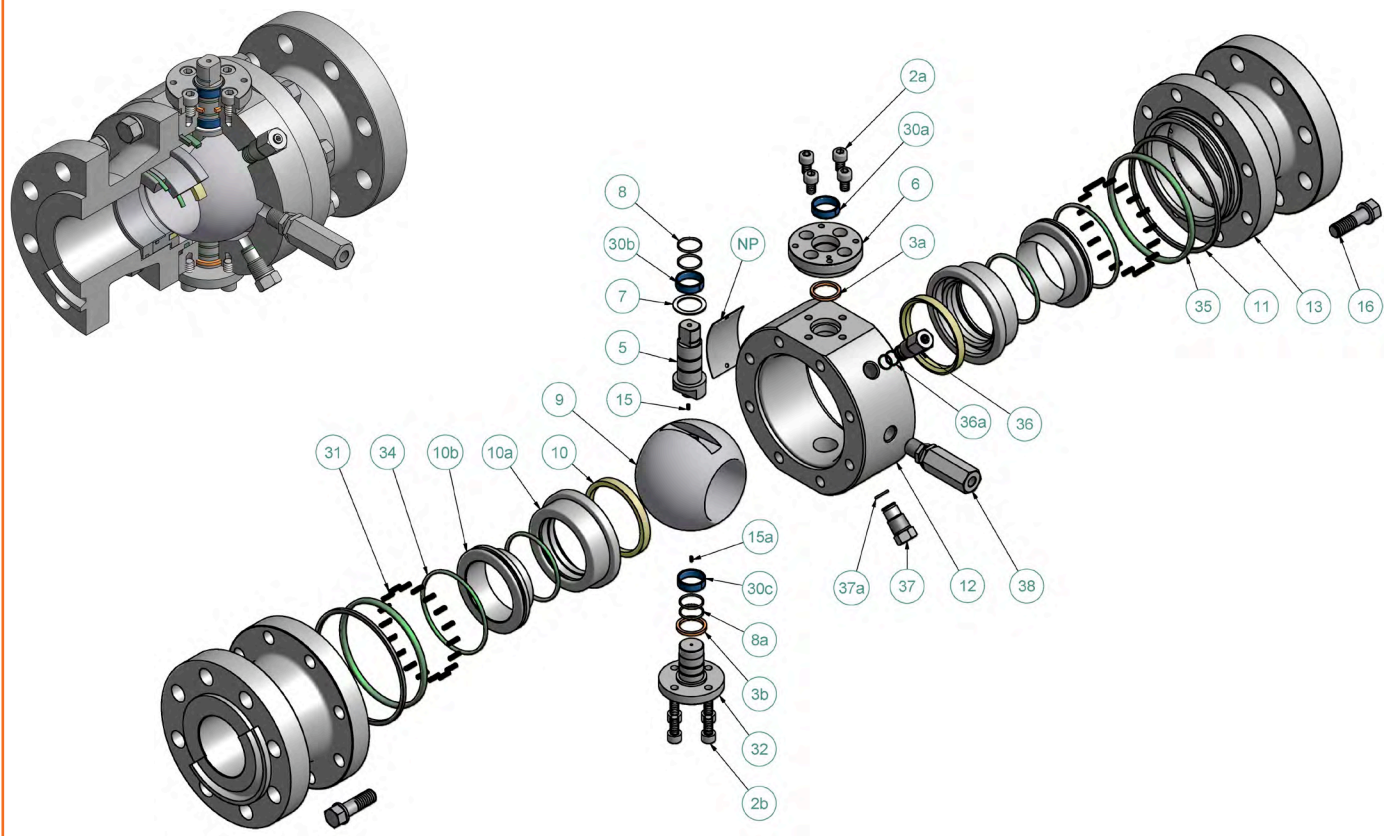
MANUAL GEAR OPERATION OR AUTOMATION							
DIMENSIONS [mm]							ISO 5211
V	L	D	G	N	T		
12	7.5	5	6.5	42	M5	F04	
15	9	7.5	8.5	50	M6	F05	
15	9	9	10	50	M6	F05	
22	16	14.5	16	70	M8	F07	
24	18	19	22	70	M8	F07	
40	30	30	32	102	M10	F10	
55	36	40	42	125	M12	F12	

REDUCED BORE													
VALVE SIZE		DIMENSIONS [mm]								WEIGHT [Kg]			
INCH	mm	A				BORE	C	E	F	RF	RTJ	SW-BW	NPT/F
		RF	RTJ	SW-BW	NPT/F								
3/4" x 1/2"	20 x 15	229	229	229	130	12.7	40	95	172.5	6.5	6.5	4	3.5
1" x 3/4"	25 x 20	254	254	254	145	19	48	102	218	13	13	11	10
1.1/4" x 1"	32 x 25	280	280	280	170	25.4	61	115	218	22	22	16	14
1.1/2" x 1"	40 x 25	305	305	305	170	25.4	61	115	218	25	25	17	14
2" x 1.1/2"	50 x 40	368	371	368	220	38	90	147	420	40	41	33	27
3" x 2"	80 x 50	381	384	384	-	51	100	158	420	55	56	50	-
4" x 3"	100 x 80	457	460	457	-	76	148	335	400	110	115	60	-
6" x 4"	150 x 100	609.5	612.5	609.5	-	101.6	188	380	400	205	210	145	-

MANUAL GEAR OPERATION OR AUTOMATION							
DIMENSIONS [mm]							ISO 5211
V	L	D	G	N	T		
12	7.5	5	6.5	42	M5	F04	
15	9	7.5	8.5	50	M6	F05	
15	9	9	10	50	M6	F05	
15	9	9	10	50	M6	F05	
22	16	14.5	16	70	M8	F07	
24	18	19	22	70	M8	F07	
40	30	30	32	102	M10	F10	
55	36	40	42	125	M12	F12	

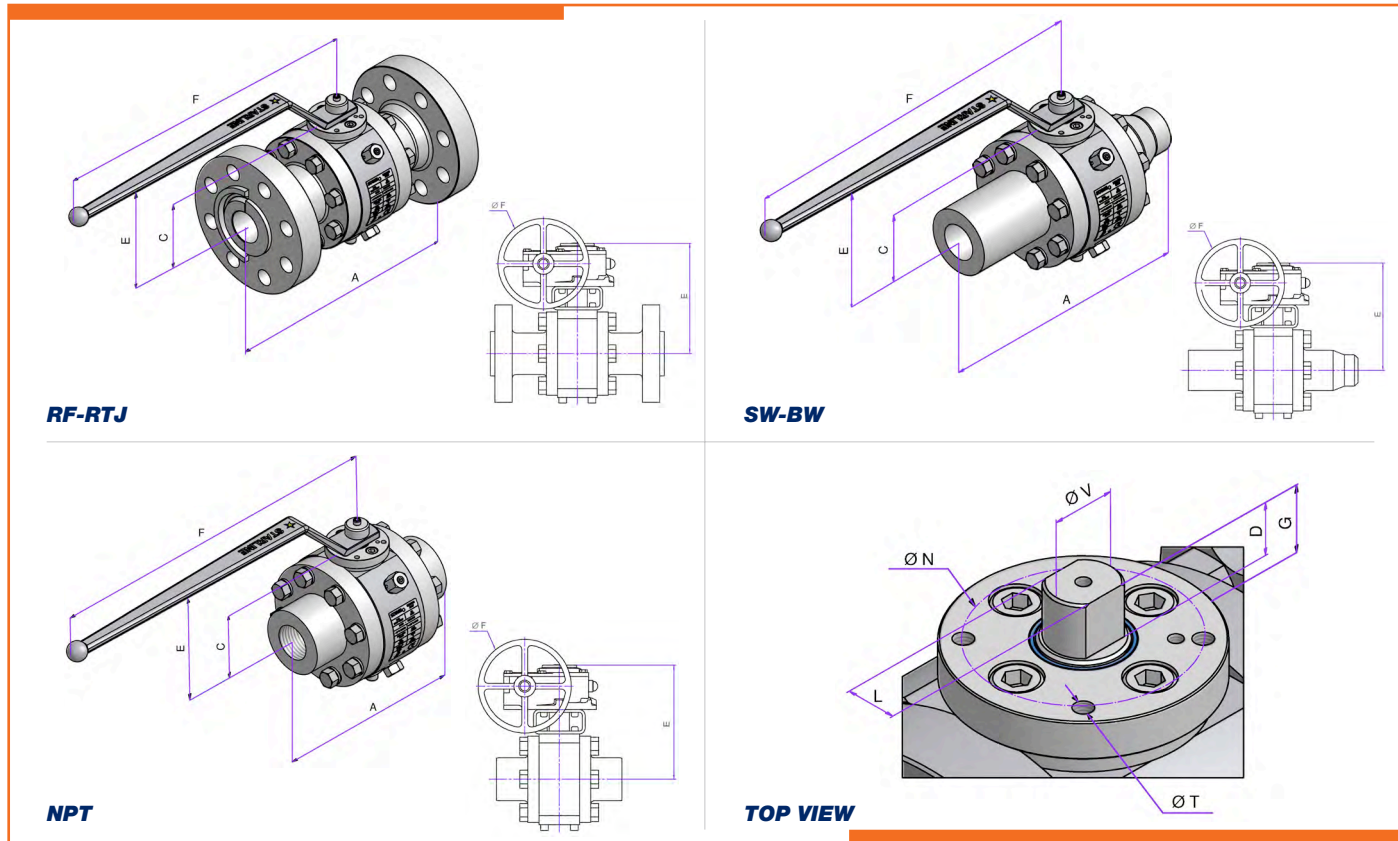
Gear Operated

Dimensions and weights are subject to change without notice.
Face to face dimensions not listed in industry standards are subject to change without notice.



ITEM NO.	Q.TY	PART NAME	MATERIAL (LF2/F316)	MATERIAL (F316/F316)	SPECIAL
NP	1	Name Plate	Stainless Steel	Stainless Steel	
2a	*****	Top Cover Screw	ASTM A193 B8	ASTM A193 B8	
2b	*****	Trunnion Screw	ASTM A193 B8	ASTM A193 B8	
3a	1	Stem Fire Seal	Graphite	Graphite	
3b	1	Trunnion Fire Seal	Graphite	Graphite	
5	1	Upper Stem	ASTM A276/479 F316	ASTM A276/479 F316	
6	1	Top Cover	ASTM A350 LF2	ASTM A276/479 F316	
7	1	Thrust Washer	Reinforced PTFE	Reinforced PTFE	
8	*****	Stem "O" Ring	VITON	VITON	
8a	*****	Trunnion "O" Ring	VITON	VITON	
9	1	Ball	ASTM A276/479 F316	ASTM A276/479 F316	
10	2	Insert Seat	T-R-S LOW PRESSURE N-D-P-E HIGH PRESSURE	T-R-S LOW PRESSURE N-D-P-E HIGH PRESSURE	METAL SEATED
10a	2	Seat	ASTM A276/479 F316	ASTM A276/479 F316	
10b	2	Seat Seal	ASTM A276/479 F316	ASTM A276/479 F316	
11	2	Adaptor Fire Seal	Graphite	Graphite	
12	1	Body	ASTM A350 LF2	ASTM A276/479 F316	
13	2	Adaptor Flange	ASTM A350 LF2	ASTM A276/479 F316	
15 - 15a	2	Antistatic Spring	INCONEL X -750	INCONEL X -750	
16	*****	Adaptor Bolts	ASTM A320 L7M	ASTM A193 B8M	
30a - 30b - 30c	1+1+1	Bearing	ASTM A276/479 F316	ASTM A276/479 F316	
31	*****	Seat Spring	INCONEL X - 750	INCONEL X - 750	
32	1	Trunnion	ASTM A276/479 F316	ASTM A276/479 F316	
33	2	Seat Fire Seal	Graphite	Graphite	
34	*****	Seat "O" Ring	VITON	VITON	
35	2	Adaptor "O" Ring	VITON	VITON	
36	1	Vent valve / bleeder	ASTM A276/479 F316	ASTM A276/479 F316	
36a	2	Vent "O" Ring	VITON	VITON	
37	1	Drain Plug	ASTM A276/479 F316	ASTM A276/479 F316	
37a	1	Drain "O" Ring	VITON	VITON	
38	1	Relief Valve	ASTM A276/479 F316	ASTM A276/479 F316	

Recommended spare parts



FULL BORE													
VALVE SIZE		DIMENSIONS [mm]								WEIGHT [Kg]			
INCH	mm	A				BORE	C	E	F	RF	RTJ	SW-BW	NPT/F
		RF	RTJ	SW-BW	NPT/F								
1/2" x 1/2"	15 x 15	216	216	216	130	12.7	40	95	172.5	5	5	3.5	3
3/4" x 3/4"	20 x 20	229	229	229	145	19	48	102	218	11	11	9.5	8.5
1" x 1"	25 x 25	254	254	254	170	25.4	61	115	218	18	18	15	14
1.1/2" x 1.1/2"	40 x 40	305	305	305	220	38	90	147	420	34	34	30	27
2" x 2"	50 x 50	368	371	368	240	51	100	158	420	50	50	45	40
3" x 3"	80 x 80	470	473	470	-	76	148	335	400	90	90	60	-
4" x 4"	100 x 100	546	549	546	-	101.6	188	385	500	185	190	160	-

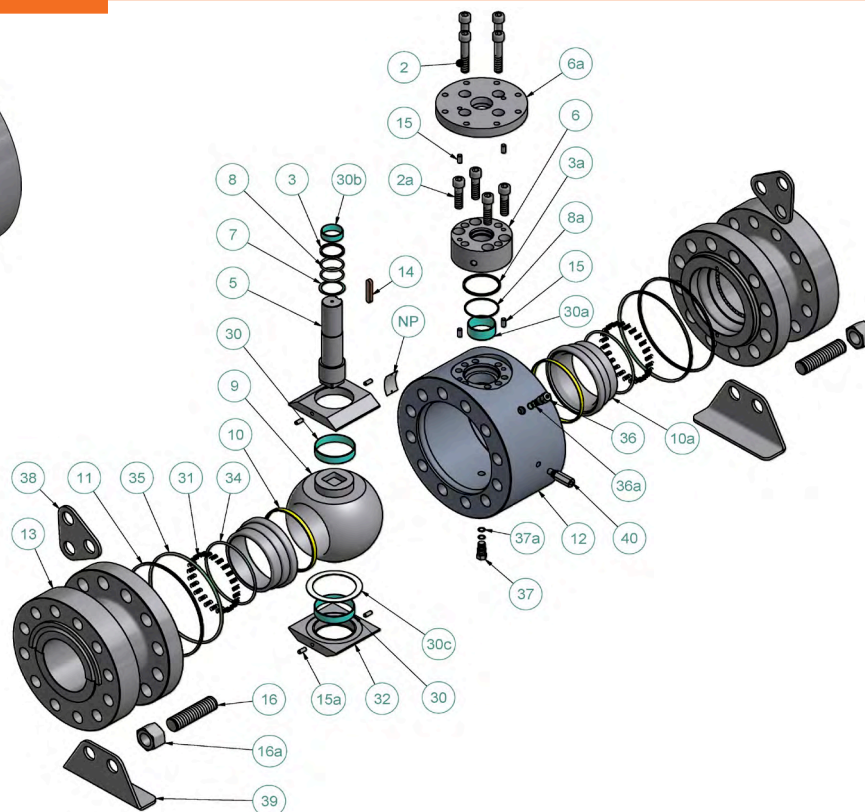
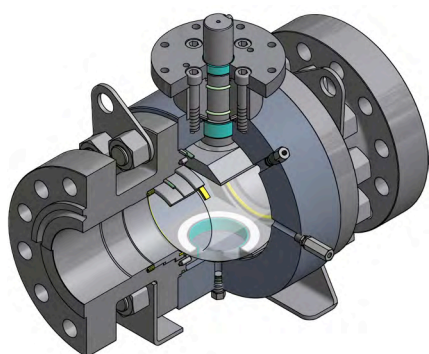
MANUAL GEAR OPERATION OR AUTOMATION							
DIMENSIONS [mm]						ISO 5211	
V	L	D	G	N	T		
12	7.5	5	6.5	42	M5	F04	
15	9	7.5	8.5	50	M6	F05	
15	9	9	10	50	M6	F05	
22	16	14.5	16	70	M8	F07	
24	18	19	22	70	M8	F07	
40	30	30	32	102	M10	F10	
55	36	40	42	125	M12	F12	

REDUCED BORE													
VALVE SIZE		DIMENSIONS [mm]								WEIGHT [Kg]			
INCH	mm	A				BORE	C	E	F	RF	RTJ	SW-BW	NPT/F
		RF	RTJ	SW-BW	NPT/F								
3/4" x 1/2"	20 x 15	229	229	229	130	12.7	40	95	172.5	6.5	6.5	4	3.5
1" x 3/4"	25 x 20	254	254	254	145	19	48	102	218	13	13	11	11
1.1/4" x 1"	32 x 25	280	280	280	170	25.4	61	115	218	22	22	16	16
1.1/2" x 1"	40 x 25	305	305	305	170	25.4	61	115	218	25	25	17	17
2" x 1.1/2"	50 x 40	368	371	368	220	38	90	147	420	40	40	33	33
3" x 2"	80 x 50	470	473	470	-	51	100	158	420	68	69	48	-
4" x 3"	100 x 80	546	549	546	-	76	148	335	400	120	122	75	-
6" x 4"	150 x 100	705	711	705	-	101.6	188	385	500	230	235	155	-

MANUAL GEAR OPERATION OR AUTOMATION							
DIMENSIONS [mm]						ISO 5211	
V	L	D	G	N	T		
12	7.5	5	6.5	42	M5	F04	
15	9	7.5	8.5	50	M6	F05	
15	9	9	10	50	M6	F05	
15	9	9	10	50	M6	F05	
22	16	14.5	16	70	M8	F07	
24	18	19	22	70	M8	F07	
40	30	30	32	102	M10	F10	
55	36	40	42	125	M12	F12	

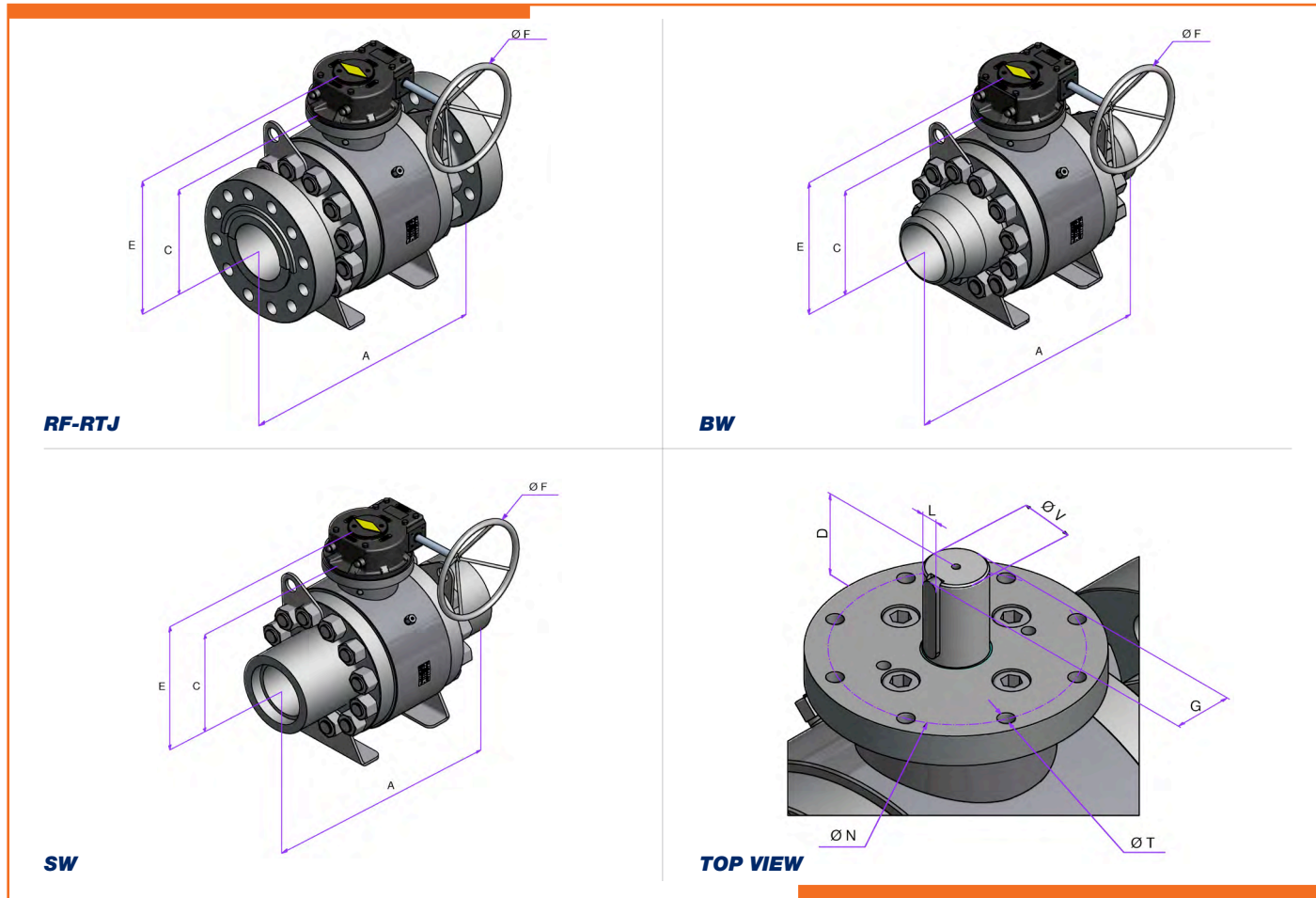
Gear Operated

Dimensions and weights are subject to change without notice.
Face to face dimensions not listed in industry standards are subject to change without notice.



ITEM NO.	Q.TY	PART NAME	MATERIAL (LF2/F316)	MATERIAL (F316/F316)	SPECIAL
NP	1	Name Plate	Stainless Steel	Stainless Steel	
2	*****	Upper Flange Screw	ASTM A193 B8	ASTM A193 B8	
2a	*****	Top Cover Screw	ASTM A193 B8	ASTM A193 B8	
3	1	Stem Fire Seal	Graphite	Graphite	
3a	1	Top Cover Fire Seal	Graphite	Graphite	
5	1	Upper Stem	ASTM A276/479 F316	ASTM A276/479 F316	
6	1	Top Cover	ASTM A350 LF2	ASTM A276/479 F316	
6a	1	Upper Flange	ASTM A350 LF2	ASTM A276/479 F316	
7	1	Thrust Washer	Reinforced PTFE	Reinforced PTFE	
8	2	Stem "O" Ring	VITON	VITON	
8a	1	Top Cover "O" Ring	VITON	VITON	
9	1	Ball	ASTM A276/479 F316	ASTM A276/479 F316	
10	2	Insert Seat	T-R-S LOW PRESSURE N-D-P-E HIGH PRESSURE	T-R-S LOW PRESSURE N-D-P-E HIGH PRESSURE	METAL SEATED
10a	2	Seat Ring	ASTM A276/479 F316	ASTM A276/479 F316	
11	2	Adaptor Fire Seal	Graphite	Graphite	
12	1	Body	ASTM A350 LF2	ASTM A276/479 F316	
13	2	Adaptor Flange	ASTM A350 LF2	ASTM A276/479 F316	
14	1	Stem Key	Carbon Steel	Carbon Steel	
15	4	Top Cover / Upper Flange Pin	INCONEL X - 750	INCONEL X - 750	
15a	4	Plate Pin	INCONEL X - 750	INCONEL X - 750	
16	*****	Stud Bolts	ASTM A320 L7M	ASTM A193 B8M	
16a	*****	Nuts	ASTM A194 GR 4	ASTM A194 GR8 M	
30	2	Ball Bearing	ASTM A276/479 F316	ASTM A276/479 F316	
30a - 30b	1+1	Stem - Body Bearing	ASTM A276/479 F316	ASTM A276/479 F316	
30c	1	Plate Bearing	PTFE	PTFE	
31	*****	Seat Spring	INCONEL X - 750	INCONEL X - 750	
32	2	Plate	ASTM A276/479 F316	ASTM A276/479 F316	
34	2	Seat "O" Ring	VITON	VITON	
35	2	Adaptor "O" Ring	VITON	VITON	
36	1	Vent valve / bleeder	ASTM A276/479 F316	ASTM A276/479 F316	
36a	2	Vent "O" Ring	VITON	VITON	
37	1	Drain Plug	ASTM A276/479 F316	ASTM A276/479 F316	
37a	1	Drain "O" Ring	VITON	VITON	
38	2	Lifting Lug	ASTM A350 LF2	ASTM A276/479 F316	
39	2	Foot	ASTM A350 LF2	ASTM A276/479 F316	
40	1	Relief Valve	ASTM A276/479 F316	ASTM A276/479 F316	

Recommended spare parts



FULL BORE												
VALVE SIZE		DIMENSIONS [mm]								WEIGHT [Kg]		
INCH	mm	A				BORE	C	E	F	RF	RTJ	SW-BW
		RF	RTJ	SW	BW							
8" x 8"	200 x 200	832	841	832	832	195	360	492	800	855	865	850
10" x 10"	250 x 250	991	1000	991	991	240	401.5	562	800	1377	1385	1300

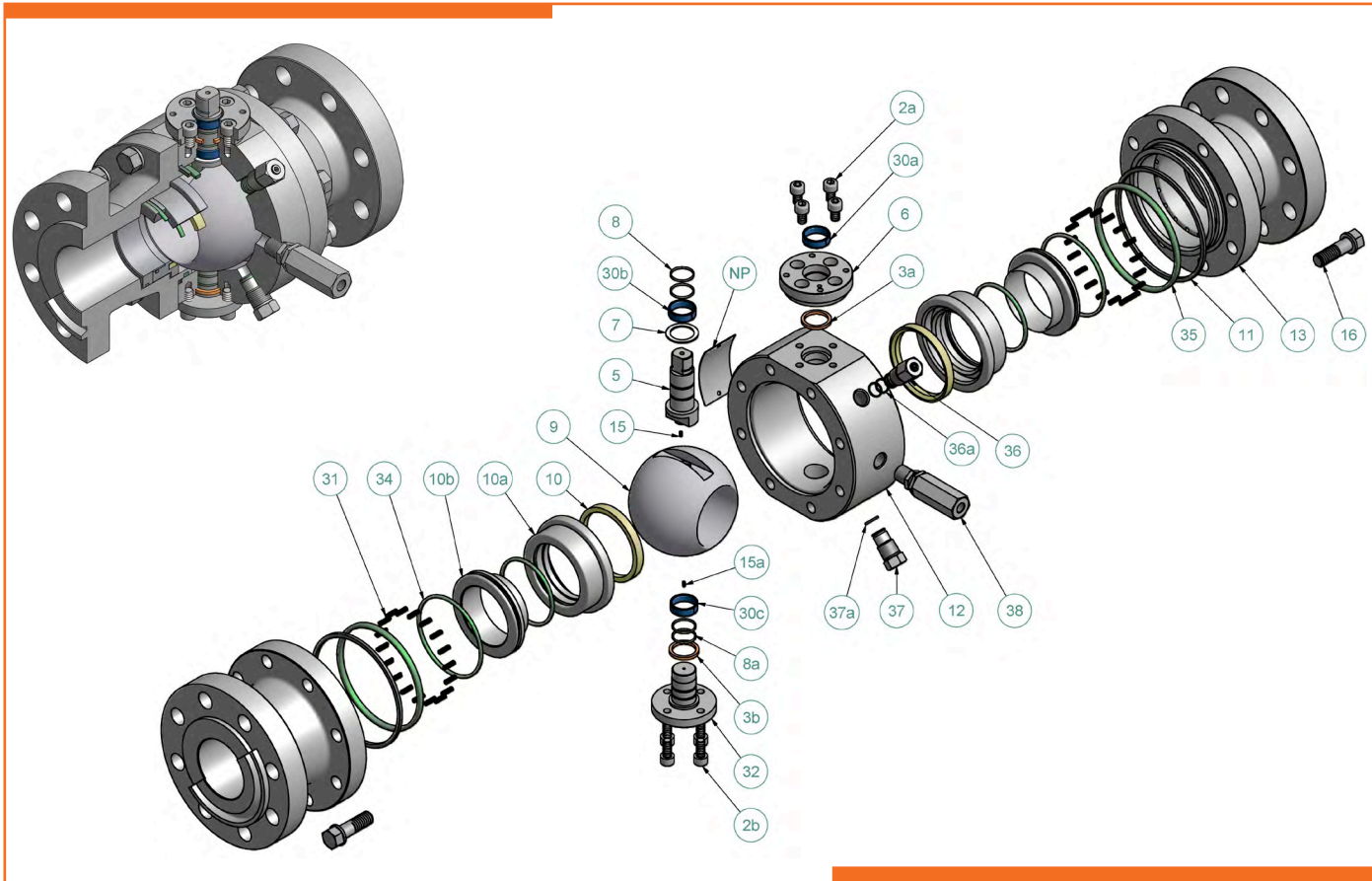
MANUAL GEAR OPERATION OR AUTOMATION						
DIMENSIONS [mm]						ISO 5211
V	L	D	G	N	T	
65	18	96.5	69	254	18	F25
70	20	102.5	74.5	298	21	F30

REDUCED BORE												
VALVE SIZE		DIMENSIONS [mm]								WEIGHT [Kg]		
INCH	mm	A				BORE	C	E	F	RF	RTJ	SW-BW
		RF	RTJ	SW	BW							
10" x 8"	250 x 200	991	1000	991	991	195	360	492	800	1107	1120	1100
12" x 10"	300 x 250	1130	1146	1130	1130	240	401.5	562	800	1479	1587	1450

MANUAL GEAR OPERATION OR AUTOMATION						
DIMENSIONS [mm]						ISO 5211
V	L	D	G	N	T	
65	18	96.5	69	254	18	F25
70	20	102.5	74.5	298	21	F30

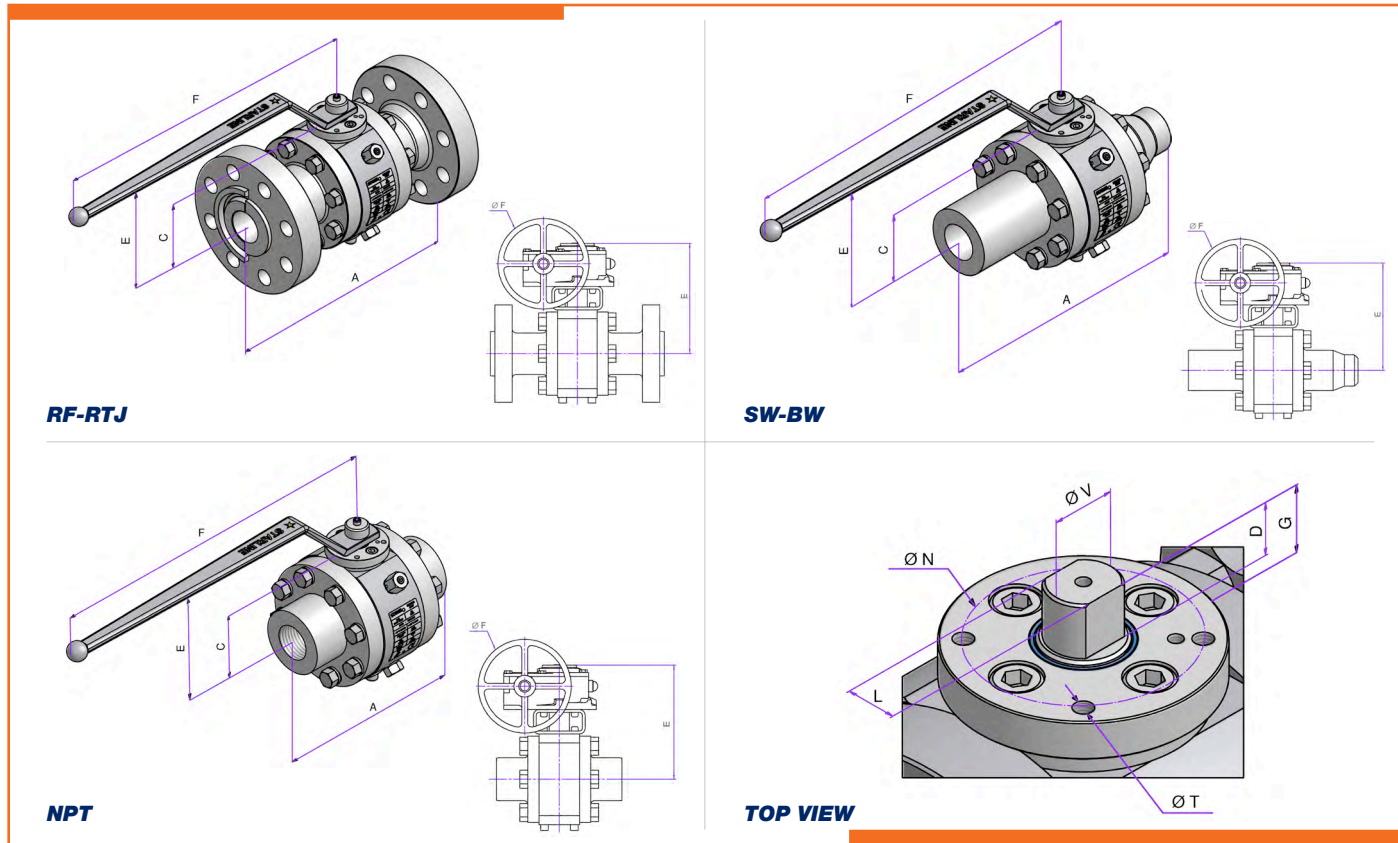
Gear Operated

Dimensions and weights are subject to change without notice.
Face to face dimensions not listed in industry standards are subject to change without notice.



ITEM NO.	Q.TY	PART NAME	MATERIAL (LF2/F316)	MATERIAL (F316/F316)	SPECIAL
NP	1	Name Plate	Stainless Steel	Stainless Steel	
2a	*****	Top Cover Screw	ASTM A193 B8	ASTM A193 B8	
2b	*****	Trunnion Screw	ASTM A193 B8	ASTM A193 B8	
3a	1	Stem Fire Seal	Graphite	Graphite	
3b	1	Trunnion Fire Seal	Graphite	Graphite	
5	1	Upper Stem	ASTM A276/479 F316	ASTM A276/479 F316	
6	1	Top Cover	ASTM A350 LF2	ASTM A276/479 F316	
7	1	Thrust Washer	Reinforced PTFE	Reinforced PTFE	
8	*****	Stem "O" Ring	VITON	VITON	
8a	*****	Trunnion "O" Ring	VITON	VITON	
9	1	Ball	ASTM A276/479 F316	ASTM A276/479 F316	
10	2	Insert Seat	T-R-S LOW PRESSURE N-D-P-E HIGH PRESSURE	T-R-S LOW PRESSURE N-D-P-E HIGH PRESSURE	METAL SEATED
10a	2	Seat	ASTM A276/479 F316	ASTM A276/479 F316	
10b	2	Seat Seal	ASTM A276/479 F316	ASTM A276/479 F316	
11	2	Adaptor Fire Seal	Graphite	Graphite	
12	1	Body	ASTM A350 LF2	ASTM A276/479 F316	
13	2	Adaptor Flange	ASTM A350 LF2	ASTM A276/479 F316	
15 - 15a	2	Antistatic Spring	INCONEL X -750	INCONEL X -750	
16	*****	Adaptor Bolts	ASTM A320 L7M	ASTM A193 B8M	
30a - 30b - 30c	1+1+1	Bearing	ASTM A276/479 F316	ASTM A276/479 F316	
31	*****	Seat Spring	INCONEL X - 750	INCONEL X - 750	
32	1	Trunnion	ASTM A276/479 F316	ASTM A276/479 F316	
33	2	Seat Fire Seal	Graphite	Graphite	
34	*****	Seat "O" Ring	VITON	VITON	
35	2	Adaptor "O" Ring	VITON	VITON	
36	1	Vent valve / bleeder	ASTM A276/479 F316	ASTM A276/479 F316	
36a	2	Vent "O" Ring	VITON	VITON	
37	1	Drain Plug	ASTM A276/479 F316	ASTM A276/479 F316	
37a	1	Drain "O" Ring	VITON	VITON	
38	1	Relief Valve	ASTM A276/479 F316	ASTM A276/479 F316	

Recommended spare parts



FULL BORE													
VALVE SIZE		DIMENSIONS [mm]								WEIGHT [Kg]			
INCH	mm	A				BORE	C	E	F	RF	RTJ	SW-BW	NPT/F
		RF	RTJ	SW-BW	NPT/F								
1/2" x 1/2"	15 x 15	263	263	263	150	12.7	49	103	218	10	10	8	7
3/4" x 3/4"	20 x 20	273	273	273	150	16	49	103	218	20	20	15	12
1" x 1"	25 x 25	308	308	308	170	21	62	115	218	26	26	20	18
1.1/2" x 1.1/2"	40 x 40	384	387	384	220	34	85	142	420	42	44	38	38
2" x 2"	50 x 50	451	454	451	260	44.5	100	158	420	72	75	42	40
3" x 3"	80 x 80	578	584	578	-	64	142	335	400	160	163	120	-

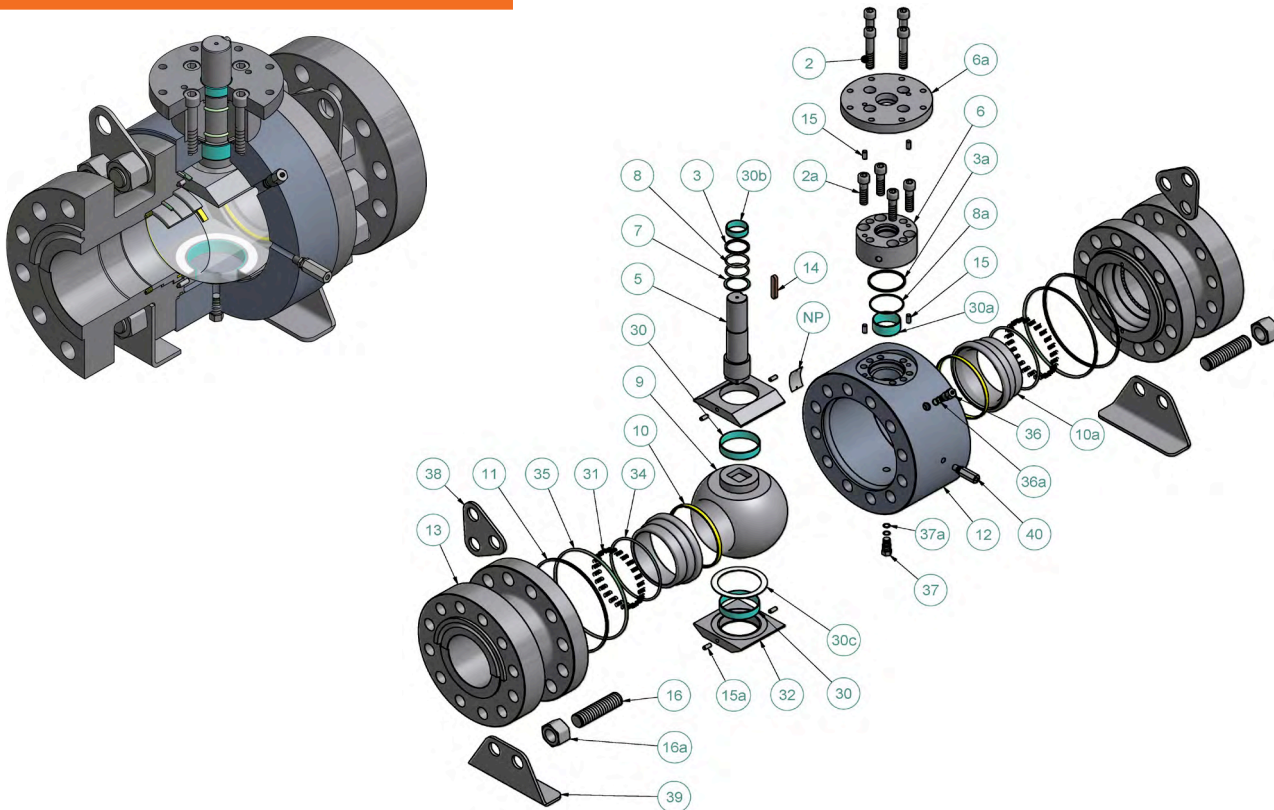
MANUAL GEAR OPERATION OR AUTOMATION							
DIMENSIONS [mm]						ISO 5211	
V	L	D	G	N	T		
15	9	7.5	8.5	50	M6	F05	
15	9	7.5	8.5	50	M6	F05	
15	9	9	10	50	M6	F05	
22	16	14.5	16	70	M8	F07	
24	18	19	22	70	M8	F07	
40	30	30	31	102	M10	F10	

REDUCED BORE													
VALVE SIZE		DIMENSIONS [mm]								WEIGHT [Kg]			
INCH	mm	A				BORE	C	E	F	RF	RTJ	SW-BW	NPT/F
		RF	RTJ	SW-BW	NPT/F								
3/4" x 1/2"	20 x 15	273	273	273	150	12.7	49	103	218	12	12	8.5	7
1" x 3/4"	25 x 20	308	308	308	150	16	49	103	218	25	25	20	12
1.1/4" x 1"	32 x 25	349	352	349	170	21	62	116	218	32	33	25	18
1.1/2" x 1"	40 x 25	384	387	384	170	21	62	116	218	35	37	28	18
2" x 1.1/2"	50 x 40	451	454	451	220	34	85	142	420	52	55	40	38
3" x 2"	80 x 50	578	584	578	-	44.5	100	158	420	100	103	45	-
4" x 3"	100 x 80	673	682.5	673	-	64	142	335	400	215	220	135	-

MANUAL GEAR OPERATION OR AUTOMATION							
DIMENSIONS [mm]						ISO 5211	
V	L	D	G	N	T		
15	9	7.5	8.5	50	M6	F05	
15	9	7.5	8.5	50	M6	F05	
15	9	9	10	50	M6	F05	
15	9	9	10	50	M6	F05	
22	16	14.5	16	70	M8	F07	
24	18	15	22	70	M8	F07	
40	30	30	31	102	M10	F10	

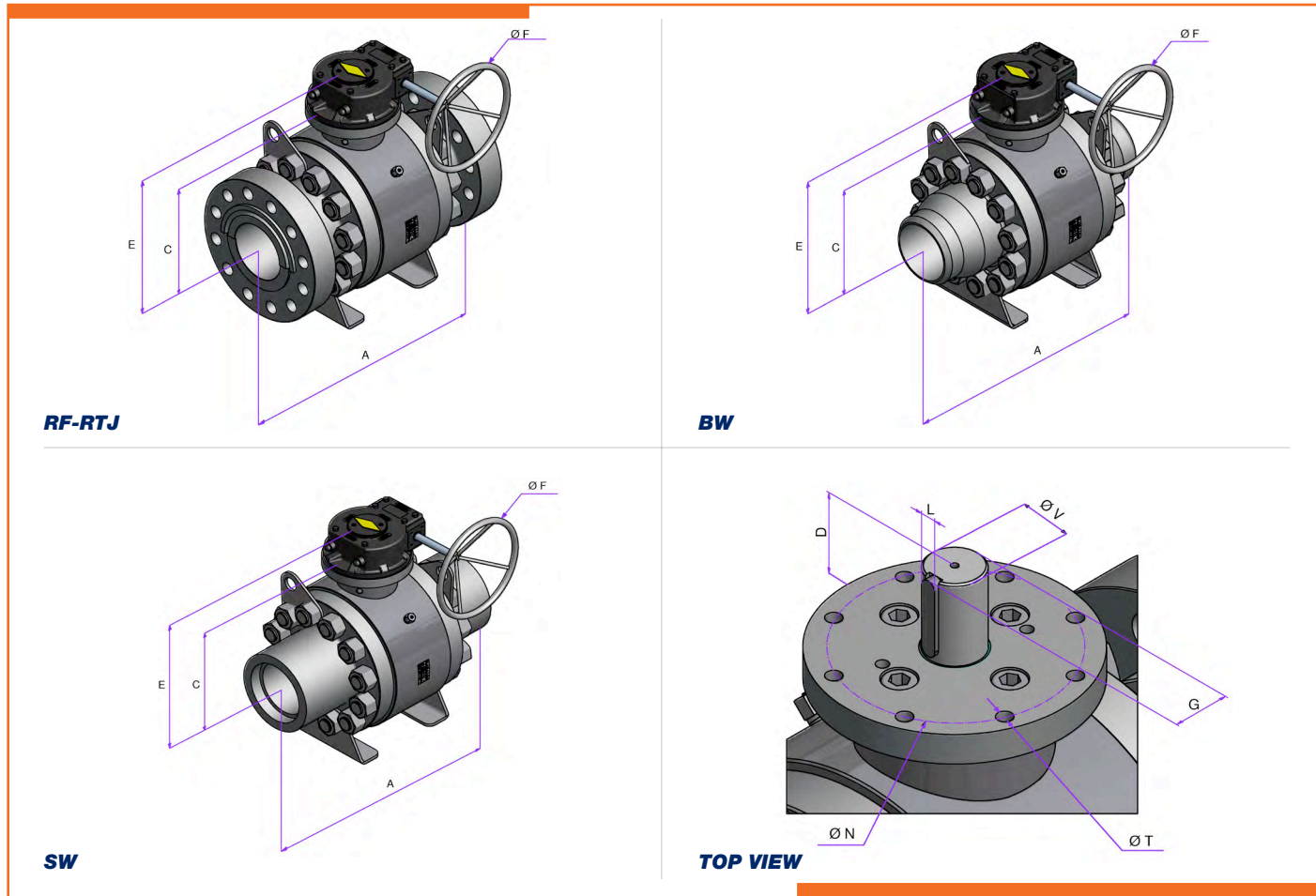
Gear Operated

Dimensions and weights are subject to change without notice.
Face to face dimensions not listed in industry standards are subject to change without notice.



ITEM NO.	Q. TY	PART NAME	MATERIAL (LF2/F316)	MATERIAL (F316/F316)	SPECIAL
NP	1	Name Plate	Stainless Steel	Stainless Steel	
2	*****	Upper Flange Screw	ASTM A193 B8	ASTM A193 B8	
2a	*****	Top Cover Screw	ASTM A193 B8	ASTM A193 B8	
3	1	Stem Fire Seal	Graphite	Graphite	
3a	1	Top Cover Fire Seal	Graphite	Graphite	
5	1	Upper Stem	ASTM A276/479 F316	ASTM A276/479 F316	
6	1	Top Cover	ASTM A350 LF2	ASTM A276/479 F316	
6a	1	Upper Flange	ASTM A350 LF2	ASTM A276/479 F316	
7	1	Thrust Washer	Reinforced PTFE	Reinforced PTFE	
8	2	Stem "O" Ring	VITON	VITON	
8a	1	Top Cover "O" Ring	VITON	VITON	
9	1	Ball	ASTM A276/479 F316	ASTM A276/479 F316	
10	2	Insert Seat	T-R-S LOW PRESSURE N-D-P-E HIGH PRESSURE	T-R-S LOW PRESSURE N-D-P-E HIGH PRESSURE	METAL SEATED
10a	2	Seat Ring	ASTM A276/479 F316	ASTM A276/479 F316	
11	2	Adaptor Fire Seal	Graphite	Graphite	
12	1	Body	ASTM A350 LF2	ASTM A276/479 F316	
13	2	Adaptor Flange	ASTM A350 LF2	ASTM A276/479 F316	
14	1	Stem Key	Carbon Steel	Carbon Steel	
15	4	Top Cover / Upper Flange Pin	INCONEL X - 750	INCONEL X - 750	
15a	4	Plate Pin	INCONEL X - 750	INCONEL X - 750	
16	*****	Stud Bolts	ASTM A320 L7M	ASTM A193 B8M	
16a	*****	Nuts	ASTM A194 GR 4	ASTM A194 GR8 M	
30	2	Ball Bearing	ASTM A276/479 F316	ASTM A276/479 F316	
30a - 30b	1+1	Stem - Body Bearing	ASTM A276/479 F316	ASTM A276/479 F316	
30c	1	Plate Bearing	PTFE	PTFE	
31	*****	Seat Spring	INCONEL X - 750	INCONEL X - 750	
32	2	Plate	ASTM A276/479 F316	ASTM A276/479 F316	
34	2	Seat "O" Ring	VITON	VITON	
35	2	Adaptor "O" Ring	VITON	VITON	
36	1	Vent valve / bleeder	ASTM A276/479 F316	ASTM A276/479 F316	
36a	2	Vent "O" Ring	VITON	VITON	
37	1	Drain Plug	ASTM A276/479 F316	ASTM A276/479 F316	
37a	1	Drain "O" Ring	VITON	VITON	
38	2	Lifting Lug	ASTM A350 LF2	ASTM A276/479 F316	
39	2	Foot	ASTM A350 LF2	ASTM A276/479 F316	
40	1	Relief Valve	ASTM A276/479 F316	ASTM A276/479 F316	

Recommended spare parts



FULL BORE												
VALVE SIZE		DIMENSIONS [mm]								WEIGHT [Kg]		
INCH	mm	A				BORE	C	E	F	RF	RTJ	SW-BW
		RF	RTJ	SW	BW							
6" x 6"	150 x 150	914.5	927	914.5	914.5	131	343	475	800	1000	1010	1005
8" x 8"	200 x 200	1022	1038	1022	1022	180	404	600	800	1509	1520	1500

MANUAL GEAR OPERATION OR AUTOMATION						
DIMENSIONS [mm]						ISO 5211
V	L	D	G	N	T	
65	18	96.5	69	254	18	F25
70	20	102.5	74.5	298	21	F30

REDUCED BORE												
VALVE SIZE		DIMENSIONS [mm]								WEIGHT [Kg]		
INCH	mm	A				BORE	C	E	F	RF	RTJ	SW-BW
		RF	RTJ	SW	BW							
8" x 6"	200 x 150	1022	1038	1022	1022	131	343	475	800	1100	1110	1095
10" x 8"	250 x 200	1270	1292	1270	1270	180	404	600	800	1689	1290	1650

MANUAL GEAR OPERATION OR AUTOMATION						
DIMENSIONS [mm]						ISO 5211
V	L	D	G	N	T	
65	18	96.5	69	254	18	F25
70	20	102.5	74.5	298	21	F30

Gear Operated

Dimensions and weights are subject to change without notice.
Face to face dimensions not listed in industry standards are subject to change without notice.