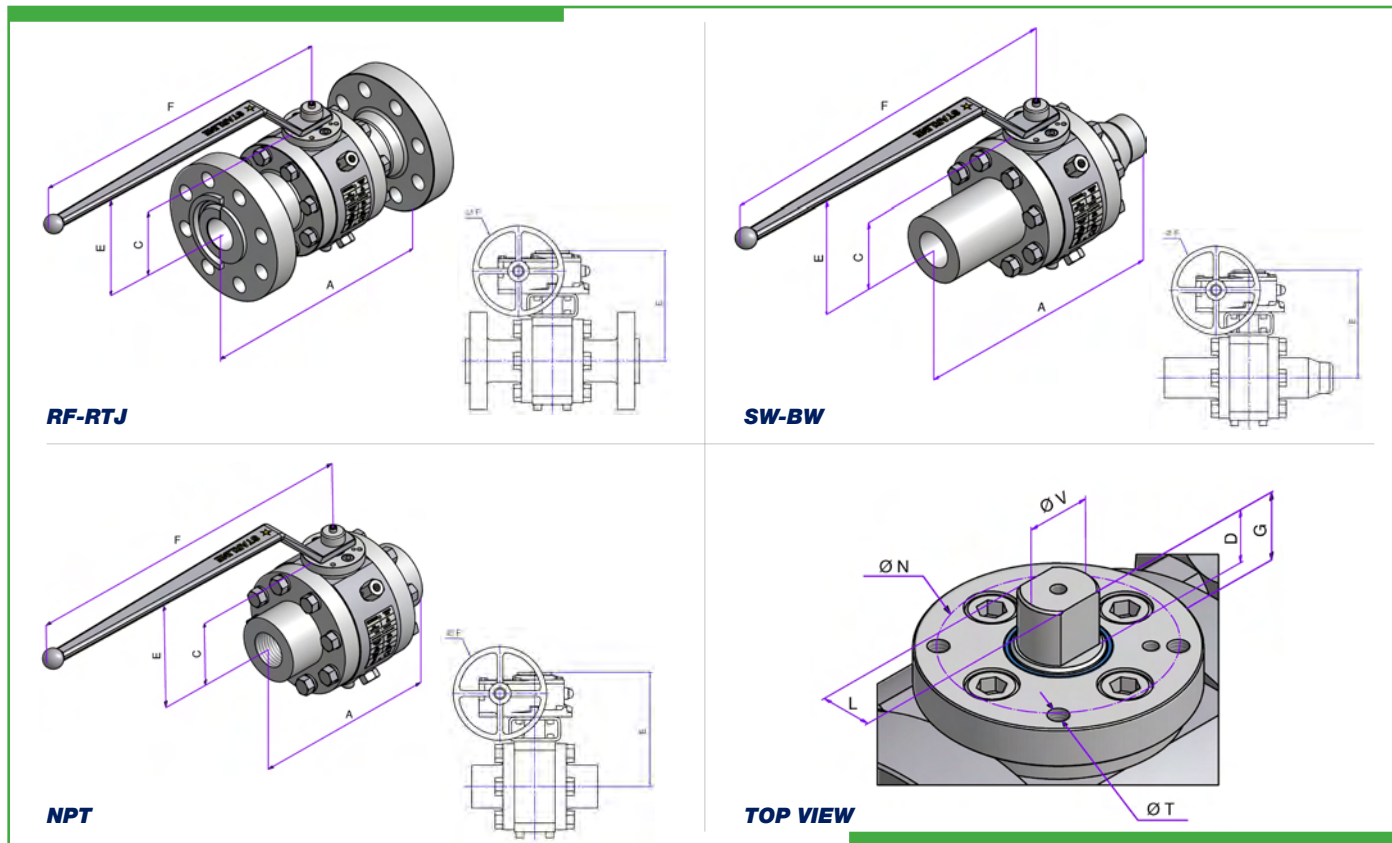


ITEM NO.	Q. TY	PART NAME	MATERIAL (LF2/F316)	MATERIAL (F316/F316)	SPECIAL
NP	1	Name Plate	Stainless Steel	Stainless Steel	
2a	*****	Top Cover Screw	ASTM A193 B8	ASTM A193 B8	
2b	*****	Trunnion Screw	ASTM A193 B8	ASTM A193 B8	
3a	1	Stem Fire Seal	Graphite	Graphite	
3b	1	Trunnion Fire Seal	Graphite	Graphite	
4	1	Lip Seal Stem	PTFE + Stainless Steel	PTFE + Stainless Steel	
4a	1	Back-Up Lip Seal Stem	PTFE	PTFE	
4b	1	Stem Lip Seal Ring	ASTM A276/479 F316	ASTM A276/479 F316	
5	1	Upper Stem	ASTM A276/479 F316	ASTM A276/479 F316	
6	1	Top Cover	ASTM A350 LF2	ASTM A276/479 F316	
7	1	Thrust Washer	Reinforced PTFE	Reinforced PTFE	
8a	1	Lip Seal Trunnion	PTFE + Stainless Steel	PTFE + Stainless Steel	
8b	1	Back-Up Lip Seal Trunnion	PTFE	PTFE	
8c	1	Trunnion Lip Seal Ring	ASTM A276/479 F316	ASTM A276/479 F316	
9	1	Ball	ASTM A276/479 F316	ASTM A276/479 F316	
10	2	Insert Seat	T-R-S LOW PRESSURE N-D-P-E HIGH PRESSURE	T-R-S LOW PRESSURE N-D-P-E HIGH PRESSURE	METAL SEATED
10a	2	Seat	ASTM A276/479 F316	ASTM A276/479 F316	
10b	2	Seat Ring	ASTM A276/479 F316	ASTM A276/479 F316	
11	2	Adaptor Fire Seal	Graphite	Graphite	
12	1	Body	ASTM A350 LF2	ASTM A276/479 F316	
13	2	Adaptor Flange	ASTM A350 LF2	ASTM A276/479 F316	
15 - 15a	2	Antistatic Spring	INCONEL X - 750	INCONEL X - 750	
16	*****	Adaptor Bolts	ASTM A320 L7M	ASTM A193 B8M	
30a - 30b - 30c	1+1+1	Bearing	ASTM A276/479 F316	ASTM A276/479 F316	
31	*****	Seat Spring	INCONEL X - 750	INCONEL X - 750	
32	1	Trunnion	ASTM A276/479 F316	ASTM A276/479 F316	
33	2	Seat Fire Seal	Graphite	Graphite	
34	2	Lip Seal Seat	PTFE + Stainless Steel	PTFE + Stainless Steel	
34a	2	Back-Up Lip Seal Seat	PTFE	PTFE	
35	2	Lip Seal Flange	PTFE + Stainless Steel	PTFE + Stainless Steel	
35a	2	Back-Up Lip Seal Flange	PTFE	PTFE	
36	1	Vent valve / bleeder	ASTM A276/479 F316	ASTM A276/479 F316	
37	1	Drain Plug	ASTM A276/479 F316	ASTM A276/479 F316	

Recommended spare parts



FULL BORE													
VALVE SIZE		DIMENSIONS [mm]								WEIGHT [Kg]			
INCH	mm	A				BORE	C	E	F	RF	RTJ	SW-BW	NPT/F
		RF	RTJ	SW-BW	NPT/F								
1/2" x 1/2"	15 x 15	-	-	165	130	12.7	40	95	172.5	-	-	3	3
3/4" x 3/4"	20 x 20	-	-	191	145	19	48	102	218	-	-	6	6
1" x 1"	25 x 25	-	-	216	170	25.4	61	115	218	-	-	9	9
1.1/2" x 1.1/2"	40 x 40	165	178	241	210	38	72	130	420	14	15	12.5	12.5
2" x 2"	50 x 50	178	190.5	292	230	51	88	146	420	21	25	22	22
3" x 3"	80 x 80	203	216	356	-	76	120	177	420	55	57	48	-
4" x 4"	100 x 100	228.5	241	432	-	101.6	160	350	400	105	110	100	-

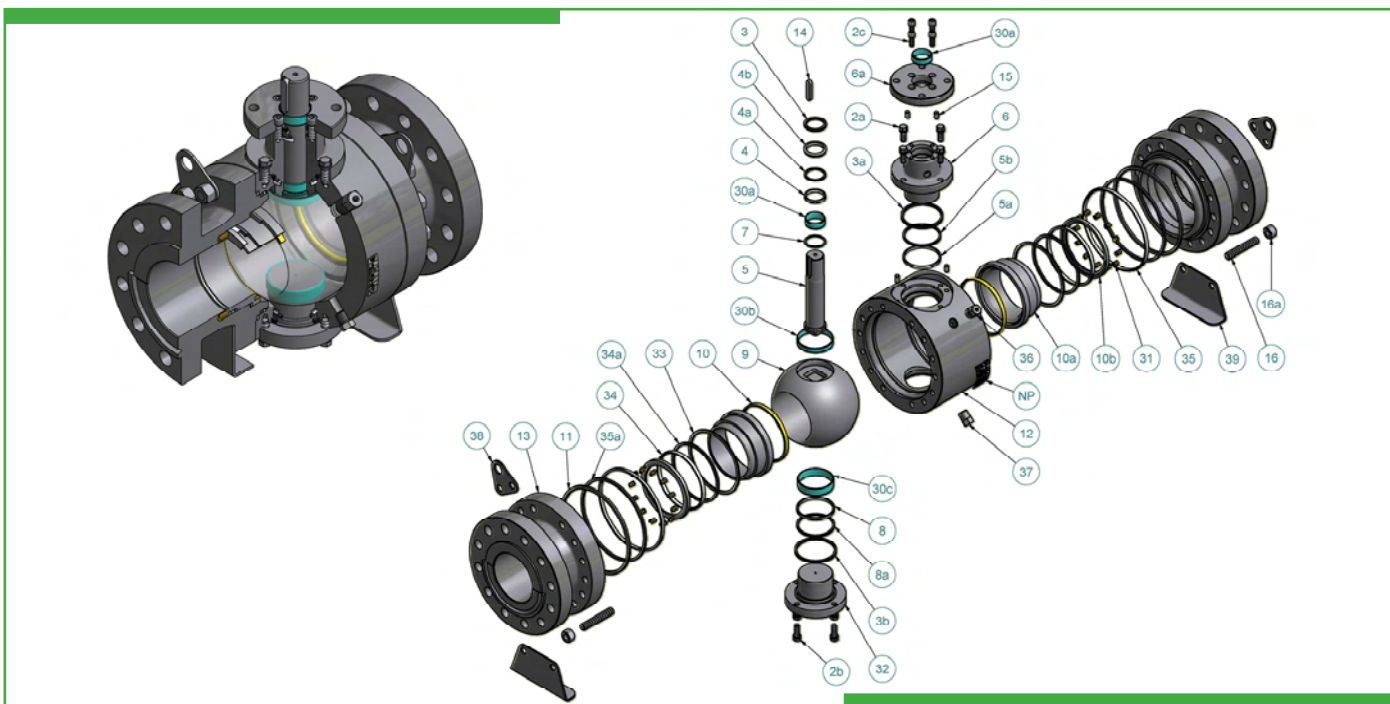
MANUAL GEAR OPERATION OR AUTOMATION							
DIMENSIONS [mm]						ISO 5211	
V	L	D	G	N	T		
12	7.5	5	6.5	42	M5	F04	
15	9	7.5	8.5	50	M6	F05	
15	9	9	10	50	M6	F05	
22	16	16	19	70	M8	F07	
22	16	16	19	70	M8	F07	
24	18	22.5	24	70	M8	F07	
40	30	30	32	102	M10	F10	

REDUCED BORE													
VALVE SIZE		DIMENSIONS [mm]								WEIGHT [Kg]			
INCH	mm	A				BORE	C	E	F	RF	RTJ	SW-BW	NPT/F
		RF	RTJ	SW-BW	NPT/F								
3/4" x 1/2"	20 x 15	-	-	191	130	12.7	40	95	172.5	-	-	3.5	3.5
1" x 3/4"	25 x 20	-	-	216	145	19	48	102	218	-	-	6.5	6.5
1.1/4" x 1"	32 x 25	-	-	229	170	25.4	61	115	218	-	-	9.5	9.5
1.1/2" x 1"	40 x 25	-	-	241	170	25.4	61	115	218	-	-	9.5	9.5
2" x 1.1/2"	50 x 40	178	190.5	292	210	38	72	130	420	21	25	13.5	13.5
3" x 2"	80 x 50	203	216	356	-	51	88	146	420	55	57	55	-
4" x 3"	100 x 80	228.5	241	432	-	76	120	177	420	75	78	112	-
6" x 4"	150 x 100	394	406.5	559	-	101.6	160	350	400	115	118	112	-

MANUAL GEAR OPERATION OR AUTOMATION							
DIMENSIONS [mm]						ISO 5211	
V	L	D	G	N	T		
12	7.5	5	6.5	42	M6	F04	
15	9	7.5	8.5	50	M6	F05	
15	9	9	10	50	M6	F05	
15	9	9	10	50	M6	F05	
22	16	16	19	70	M8	F07	
22	16	16	19	70	M8	F07	
24	18	22.5	24	70	M8	F07	
40	30	30	32	102	M10	F10	

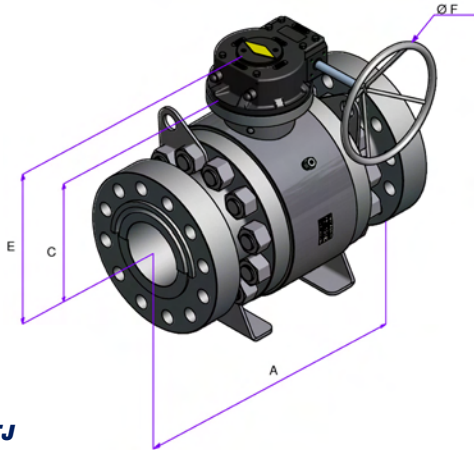
- Gear Operated
- Split Body Construction

Dimensions and weights are subject to change without notice.
Face to face dimensions not listed in industry standards are subject to change without notice.

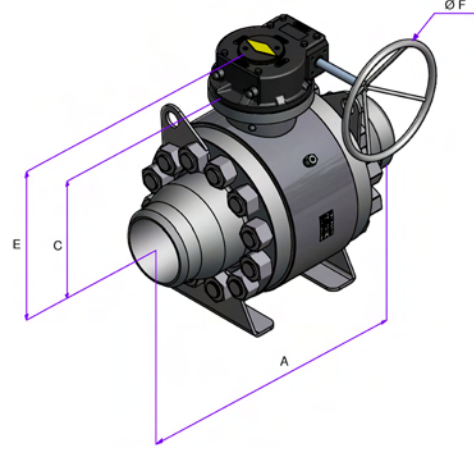


ITEM NO.	Q. TY	PART NAME	MATERIAL (LF2/F316)	MATERIAL (F316/F316)	SPECIAL
NP	1	Name Plate	Stainless Steel	Stainless Steel	
2a	*****	Top Cover Screw	ASTM A193 B8	ASTM A193 B8	
2b	*****	Trunnion Screw	ASTM A193 B8	ASTM A193 B8	
2c	*****	Upper Flange Screw	ASTM A193 B8	ASTM A193 B8	
3	1	Stem Fire Seal	Graphite	Graphite	
3a	1	Top Cover Fire Seal	Graphite	Graphite	
3b	1	Trunnion Fire Seal	Graphite	Graphite	
4	1	Lip Seal Stem	PTFE + Stainless Steel	PTFE + Stainless Steel	
4a	1	Back-Up Lip Seal Stem	PTFE	PTFE	
4b	1	Stem Lip Seal Ring	ASTM A276/479 F316	ASTM A276/479 F316	
5	1	Upper Stem	ASTM A276/479 F316	ASTM A276/479 F316	
5a	1	Lip Seal Top Cover	PTFE + Stainless Steel	PTFE + Stainless Steel	
5b	1	Back-Up Lip Seal Top Cover	PTFE	PTFE	
6	1	Top Cover	ASTM A350 LF2	ASTM A276/479 F316	
6a	1	Upper Flange	ASTM A350 LF2	ASTM A276/479 F316	
7	1	Thrust Washer	Reinforced PTFE	Reinforced PTFE	
8	1	Lip Seal Trunnion	PTFE + Stainless Steel	PTFE + Stainless Steel	
8a	1	Back-Up Lip Seal Trunnion	PTFE	PTFE	
9	1	Ball	ASTM A276/479 F316	ASTM A276/479 F316	
10	2	Insert Seat	T-R-S LOW PRESSURE N-D-P-E HIGH PRESSURE	T-R-S LOW PRESSURE N-D-P-E HIGH PRESSURE	METAL SEATED
10a	2	Seat	ASTM A276/479 F316	ASTM A276/479 F316	
10b	2	Seat Ring	ASTM A276/479 F316	ASTM A276/479 F316	
11	2	Adaptor Fire Seal	Graphite	Graphite	
12	1	Body	ASTM A350 LF2	ASTM A276/479 F316	
13	2	Adaptor Flange	ASTM A350 LF2	ASTM A276/479 F316	
14	1	Stem Key	Carbon Steel	Carbon Steel	
15	4	Top Cover / Upper Flange Pin	INCONEL X -750	INCONEL X -750	
16	*****	Stud Bolts	ASTM A320 L7M	ASTM A193 B8M	
16a	*****	Nuts	ASTM A194 GR 4	ASTM A194 GR8 M	
30a- 30b - 30c	2+1+1	Stem - Ball - Trunnion Bearing	ASTM A276/479 F316	ASTM A276/479 F316	
31	*****	Seat Spring	INCONEL X - 750	INCONEL X - 750	
32	1	Trunnion	ASTM A276/479 F316	ASTM A276/479 F316	
33	2	Seat Fire Seal	Graphite	Graphite	
34	2	Lip Seal Seat	PTFE + Stainless Steel	PTFE + Stainless Steel	
34a	2	Back-Up Lip Seal Seat	PTFE	PTFE	
35	2	Lip Seal Flange	PTFE + Stainless Steel	PTFE + Stainless Steel	
35a	2	Back-Up Lip Seal Flange	PTFE	PTFE	
36	1	Vent valve / bleeder	ASTM A276/479 F316	ASTM A276/479 F316	
37	1	Drain Plug	ASTM A276/479 F316	ASTM A276/479 F316	
38	2	Lifting Lug	ASTM A350 LF2	ASTM A276/479 F316	
39	2	Foot	ASTM A350 LF2	ASTM A276/479 F316	

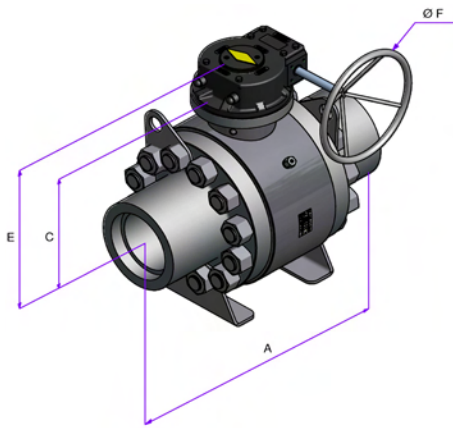
Recommended spare parts



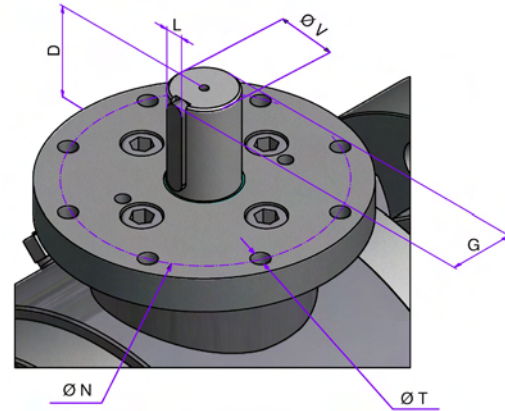
RF-RTJ



BW



SW



TOP VIEW

FULL BORE												
VALVE SIZE		DIMENSIONS [mm]								WEIGHT [Kg]		
INCH	mm	A				BORE	C	E	F	RF	RTJ	SW-BW
		RF	RTJ	SW	BW							
6" x 6"	150 x 150	394	406.5	559	559	152	249	340	500	230	235	225
8" x 8"	200 x 200	457	470	521	521	201	293.5	417	800	270	280	265
10" x 10"	250 x 250	533	546	559	559	252	335	461	800	500	510	450

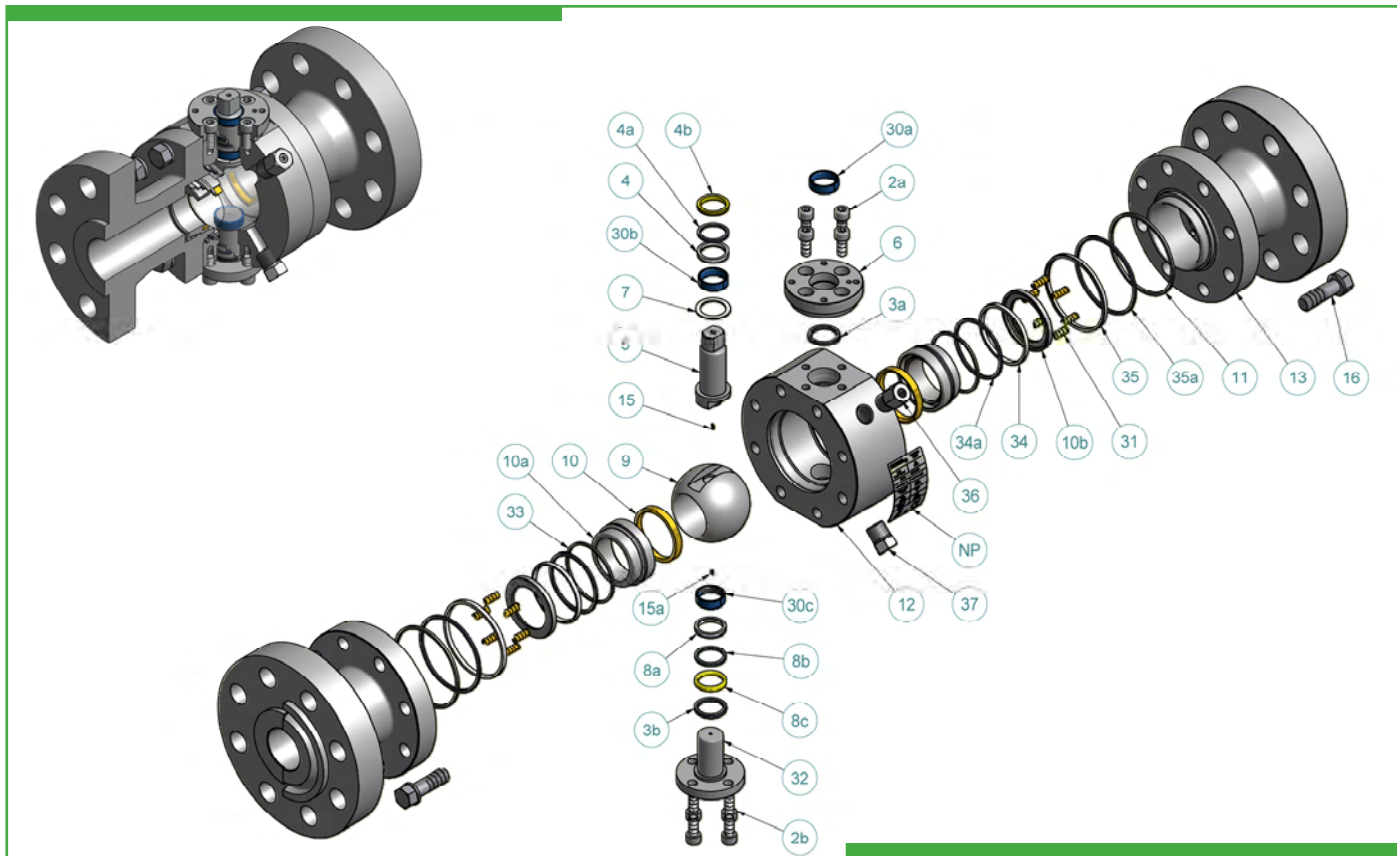
MANUAL GEAR OPERATION OR AUTOMATION							
DIMENSIONS [mm]							ISO 5211
V	L	D	G	N	T		
48	14	68	51.5	140	18	F14	
48	14	81.5	51.5	140	18	F14	
58	16	82	62	165	21	F16	

REDUCED BORE												
VALVE SIZE		DIMENSIONS [mm]								WEIGHT [Kg]		
INCH	mm	A				BORE	C	E	F	RF	RTJ	SW-BW
		RF	RTJ	SW	BW							
8" x 6"	200 x 150	457	470	660.5	660.5	152	249	340	500	250	260	240
10" x 8"	250 x 200	533	546	559	559	201	293.5	417	800	290	300	280
12" x 10"	300 x 250	610	622	635	635	252	335	461	800	550	560	500

MANUAL GEAR OPERATION OR AUTOMATION							
DIMENSIONS [mm]							ISO 5211
V	L	D	G	N	T		
48	14	68	51.5	140	18	F14	
48	14	81.5	51.5	140	18	F14	
58	16	82	62	165	21	F16	

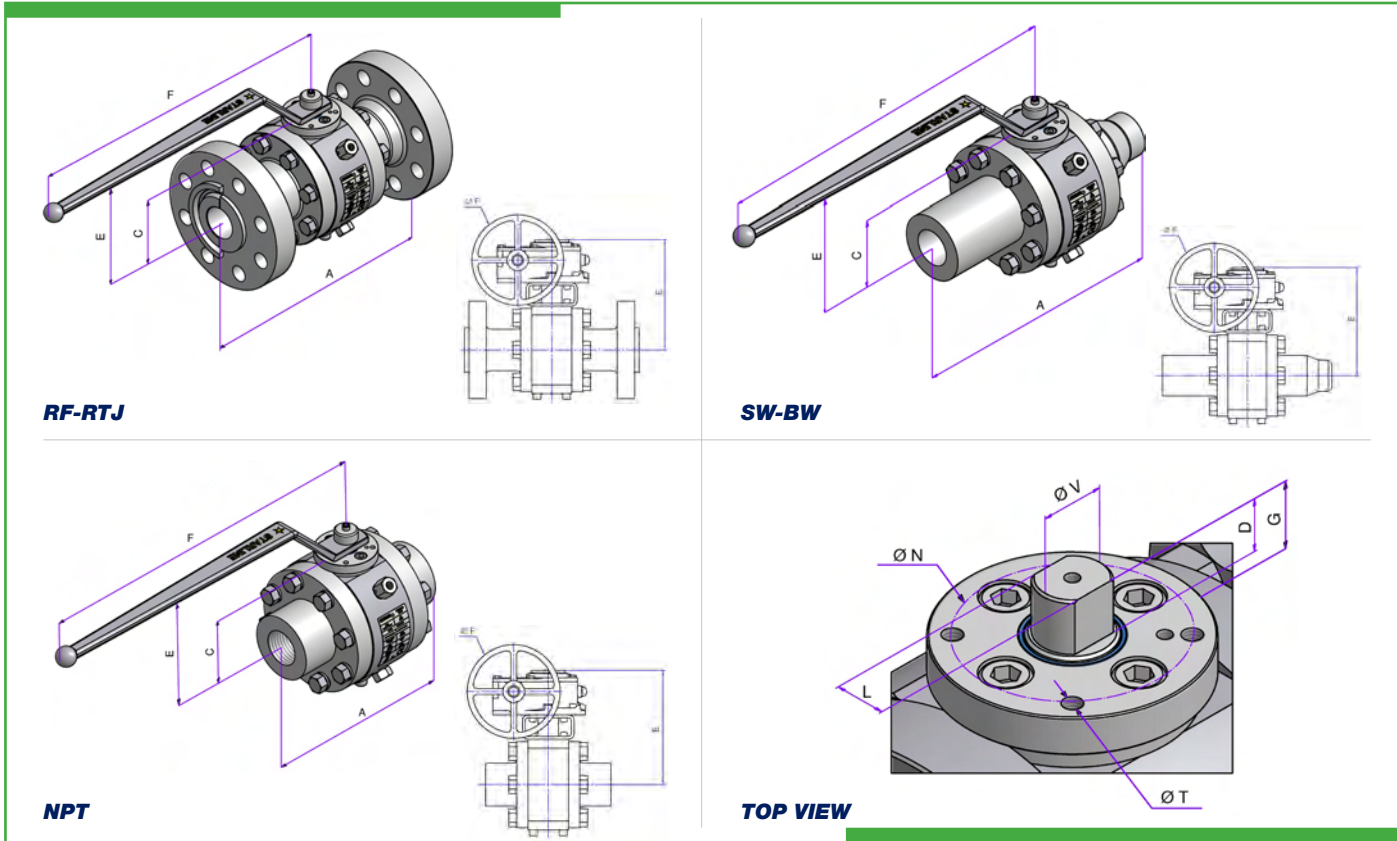
Gear Operated

Dimensions and weights are subject to change without notice.
Face to face dimensions not listed in industry standards are subject to change without notice.



ITEM NO.	Q. TY	PART NAME	MATERIAL (LF2/F316)	MATERIAL (F316/F316)	SPECIAL
NP	1	Name Plate	Stainless Steel	Stainless Steel	
2a	*****	Top Cover Screw	ASTM A193 B8	ASTM A193 B8	
2b	*****	Trunnion Screw	ASTM A193 B8	ASTM A193 B8	
3a	1	Stem Fire Seal	Graphite	Graphite	
3b	1	Trunnion Fire Seal	Graphite	Graphite	
4	1	Lip Seal Stem	PTFE + Stainless Steel	PTFE + Stainless Steel	
4a	1	Back-Up Lip Seal Stem	PTFE	PTFE	
4b	1	Stem Lip Seal Ring	ASTM A276/479 F316	ASTM A276/479 F316	
5	1	Upper Stem	ASTM A276/479 F316	ASTM A276/479 F316	
6	1	Top Cover	ASTM A350 LF2	ASTM A276/479 F316	
7	1	Thrust Washer	Reinforced PTFE	Reinforced PTFE	
8a	1	Lip Seal Trunnion	PTFE + Stainless Steel	PTFE + Stainless Steel	
8b	1	Back-Up Lip Seal Trunnion	PTFE	PTFE	
8c	1	Trunnion Lip Seal Ring	ASTM A276/479 F316	ASTM A276/479 F316	
9	1	Ball	ASTM A276/479 F316	ASTM A276/479 F316	
10	2	Insert Seat	T-R-S LOW PRESSURE N-D-P-E HIGH PRESSURE	T-R-S LOW PRESSURE N-D-P-E HIGH PRESSURE	METAL SEATED
10a	2	Seat	ASTM A276/479 F316	ASTM A276/479 F316	
10b	2	Seat Ring	ASTM A276/479 F316	ASTM A276/479 F316	
11	2	Adaptor Fire Seal	Graphite	Graphite	
12	1	Body	ASTM A350 LF2	ASTM A276/479 F316	
13	2	Adaptor Flange	ASTM A350 LF2	ASTM A276/479 F316	
15 - 15a	2	Antistatic Spring	INCONEL X - 750	INCONEL X - 750	
16	*****	Adaptor Bolts	ASTM A320 L7M	ASTM A193 B8M	
30a - 30b - 30c	1+1+1	Bearing	ASTM A276/479 F316	ASTM A276/479 F316	
31	*****	Seat Spring	INCONEL X - 750	INCONEL X - 750	
32	1	Trunnion	ASTM A276/479 F316	ASTM A276/479 F316	
33	2	Seat Fire Seal	Graphite	Graphite	
34	2	Lip Seal Seat	PTFE + Stainless Steel	PTFE + Stainless Steel	
34a	2	Back-Up Lip Seal Seat	PTFE	PTFE	
35	2	Lip Seal Flange	PTFE + Stainless Steel	PTFE + Stainless Steel	
35a	2	Back-Up Lip Seal Flange	PTFE	PTFE	
36	1	Vent valve / bleeder	ASTM A276/479 F316	ASTM A276/479 F316	
37	1	Drain Plug	ASTM A276/479 F316	ASTM A276/479 F316	

Recommended spare parts



FULL BORE													
VALVE SIZE		DIMENSIONS [mm]								WEIGHT [Kg]			
INCH	mm	A				BORE	C	E	F	RF	RTJ	SW-BW	NPT/F
		RF	RTJ	SW-BW	NPT/F								
1/2" x 1/2"	15 x 15	140	152	165	2.5	12.7	40	95	172.5	4	4.5	3	3
3/4" x 3/4"	20 x 20	152	165	191	5.5	19	48	102	218	6.5	7	6	6
1" x 1"	25 x 25	165	178	216	8.5	25.4	61	115	218	9	10	9	9
1.1/2" x 1.1/2"	40 x 40	191	203	241	210	38	72	130	420	15	16	12.5	12.5
2" x 2"	50 x 50	216	232	292	230	51	88	146	420	22	26	22	22
3" x 3"	80 x 80	283	298	356	-	76	120	177	420	57	60	48	-
4" x 4"	100 x 100	305	320.5	432	-	101.6	160	350	400	110	112	98	-

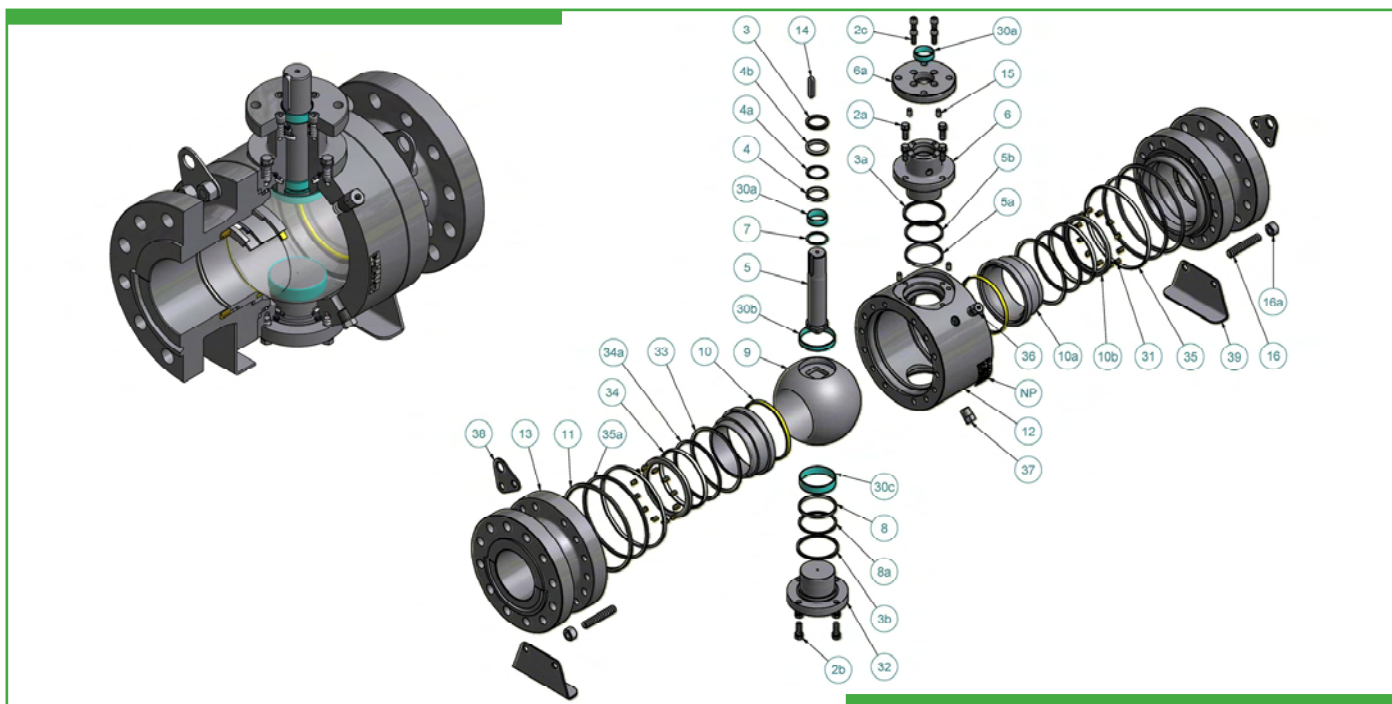
MANUAL GEAR OPERATION OR AUTOMATION							
DIMENSIONS [mm]							ISO 5211
V	L	D	G	N	T		
12	7.5	5	6.5	42	M5	F04	
15	9	7.5	8.5	50	M6	F05	
15	9	9	10	50	M6	F05	
22	16	16	19	70	M8	F07	
22	16	16	19	70	M8	F07	
24	18	22.5	24	70	M8	F07	
40	30	30	32	102	M10	F10	

REDUCED BORE													
VALVE SIZE		DIMENSIONS [mm]								WEIGHT [Kg]			
INCH	mm	A				BORE	C	E	F	RF	RTJ	SW-BW	NPT/F
		RF	RTJ	SW-BW	NPT/F								
3/4" x 1/2"	20 x 15	152	165	191	2.5	12.7	40	95	172.5	5.5	6	3.5	3.5
1" x 3/4"	25 x 20	165	178	216	5.5	19	48	102	218	7	7.5	6.5	6.5
1.1/4" x 1"	32 x 25	178	191	229	8.5	25.4	61	115	218	11	12	9.5	9.5
1.1/2" x 1"	40 x 25	191	203	241	8.5	25.4	61	115	218	13	14	9.5	9.5
2" x 1.1/2"	50 x 40	216	232	292	12	38	72	130	420	21	22	13.5	13.5
3" x 2"	80 x 50	283	298	356	-	51	88	146	420	32	34	24	-
4" x 3"	100 x 80	305	320.5	432	-	76	120	177	420	75	82	55	-
6" x 4"	150 x 100	403	419	559	-	101.6	160	350	400	120	124	112	-

MANUAL GEAR OPERATION OR AUTOMATION							
DIMENSIONS [mm]							ISO 5211
V	L	D	G	N	T		
12	7.5	5	6.5	42	M5	F04	
15	9	7.5	8.5	50	M6	F05	
15	9	9	10	50	M6	F05	
15	9	9	10	50	M6	F05	
22	16	16	19	70	M8	F07	
22	16	16	19	70	M8	F07	
24	18	22.5	24	70	M8	F07	
40	30	30	32	102	M10	F10	

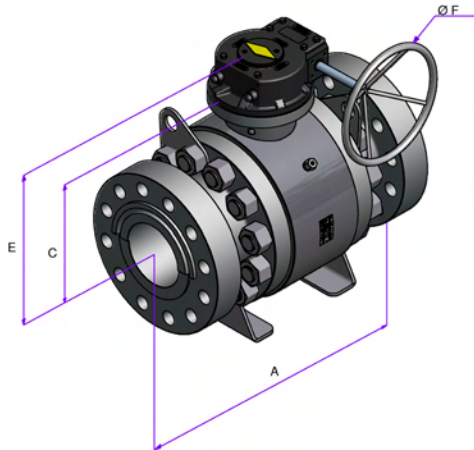
Gear Operated

Dimensions and weights are subject to change without notice.
Face to face dimensions not listed in industry standards are subject to change without notice.

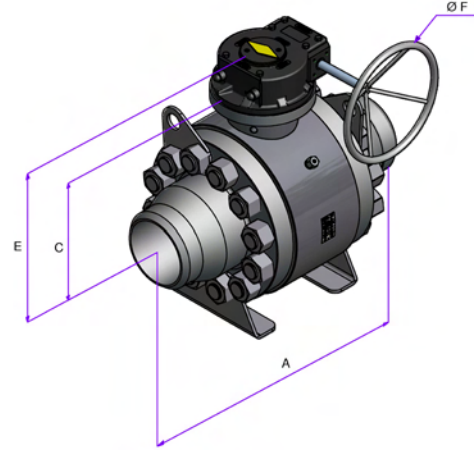


ITEM NO.	Q. TY	PART NAME	MATERIAL (LF2/F316)	MATERIAL (F316/F316)	SPECIAL
NP	1	Name Plate	Stainless Steel	Stainless Steel	
2a	*****	Top Cover Screw	ASTM A193 B8	ASTM A193 B8	
2b	*****	Trunnion Screw	ASTM A193 B8	ASTM A193 B8	
2c	*****	Upper Flange Screw	ASTM A193 B8	ASTM A193 B8	
3	1	Stem Fire Seal	Graphite	Graphite	
3a	1	Top Cover Fire Seal	Graphite	Graphite	
3b	1	Trunnion Fire Seal	Graphite	Graphite	
4	1	Lip Seal Stem	PTFE + Stainless Steel	PTFE + Stainless Steel	
4a	1	Back-Up Lip Seal Stem	PTFE	PTFE	
4b	1	Stem Lip Seal Ring	ASTM A276/479 F316	ASTM A276/479 F316	
5	1	Upper Stem	ASTM A276/479 F316	ASTM A276/479 F316	
5a	1	Lip Seal Top Cover	PTFE + Stainless Steel	PTFE + Stainless Steel	
5b	1	Back-Up Lip Seal Top Cover	PTFE	PTFE	
6	1	Top Cover	ASTM A350 LF2	ASTM A276/479 F316	
6a	1	Upper Flange	ASTM A350 LF2	ASTM A276/479 F316	
7	1	Thrust Washer	Reinforced PTFE	Reinforced PTFE	
8	1	Lip Seal Trunnion	PTFE + Stainless Steel	PTFE + Stainless Steel	
8a	1	Back-Up Lip Seal Trunnion	PTFE	PTFE	
9	1	Ball	ASTM A276/479 F316	ASTM A276/479 F316	
10	2	Insert Seat	T-R-S LOW PRESSURE N-D-P-E HIGH PRESSURE	T-R-S LOW PRESSURE N-D-P-E HIGH PRESSURE	METAL SEATED
10a	2	Seat	ASTM A276/479 F316	ASTM A276/479 F316	
10b	2	Seat Ring	ASTM A276/479 F316	ASTM A276/479 F316	
11	2	Adaptor Fire Seal	Graphite	Graphite	
12	1	Body	ASTM A350 LF2	ASTM A276/479 F316	
13	2	Adaptor Flange	ASTM A350 LF2	ASTM A276/479 F316	
14	1	Stem Key	Carbon Steel	Carbon Steel	
15	4	Top Cover / Upper Flange Pin	INCONEL X - 750	INCONEL X - 750	
16	*****	Stud Bolts	ASTM A320 L7M	ASTM A193 B8M	
16a	*****	Nuts	ASTM A194 GR 4	ASTM A194 GR8 M	
30a- 30b - 30c	2+1+1	Stem - Ball - Trunnion Bearing	ASTM A276/479 F316	ASTM A276/479 F316	
31	*****	Seat Spring	INCONEL X - 750	INCONEL X - 750	
32	1	Trunnion	ASTM A276/479 F316	ASTM A276/479 F316	
33	2	Seat Fire Seal	Graphite	Graphite	
34	2	Lip Seal Seat	PTFE + Stainless Steel	PTFE + Stainless Steel	
34a	2	Back-Up Lip Seal Seat	PTFE	PTFE	
35	2	Lip Seal Flange	PTFE + Stainless Steel	PTFE + Stainless Steel	
35a	2	Back-Up Lip Seal Flange	PTFE	PTFE	
36	1	Vent valve / bleeder	ASTM A276/479 F316	ASTM A276/479 F316	
37	1	Drain Plug	ASTM A276/479 F316	ASTM A276/479 F316	
38	2	Lifting Lug	ASTM A350 LF2	ASTM A276/479 F316	
39	2	Foot	ASTM A350 LF2	ASTM A276/479 F316	

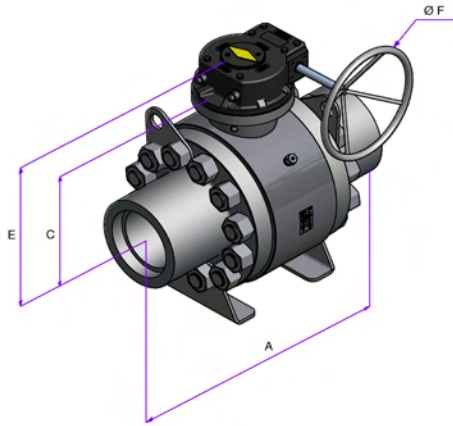
Recommended spare parts



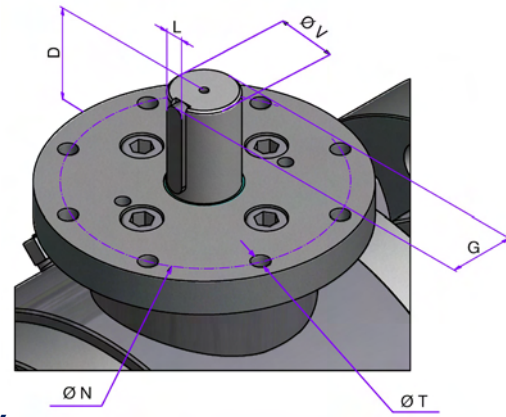
RF-RTJ



BW



SW



TOP VIEW

FULL BORE												
VALVE SIZE		DIMENSIONS [mm]								WEIGHT [Kg]		
INCH	mm	A				BORE	C	E	F	RF	RTJ	SW-BW
		RF	RTJ	SW	BW							
6" x 6"	150 x 150	403	419	559	559	152	249	102	500	240	255	230
8" x 8"	200 x 200	503	517	520	520	201	291	385	600	282	300	270
10" x 10"	250 x 250	568	584	559	559	252	335	461	800	600	610	590

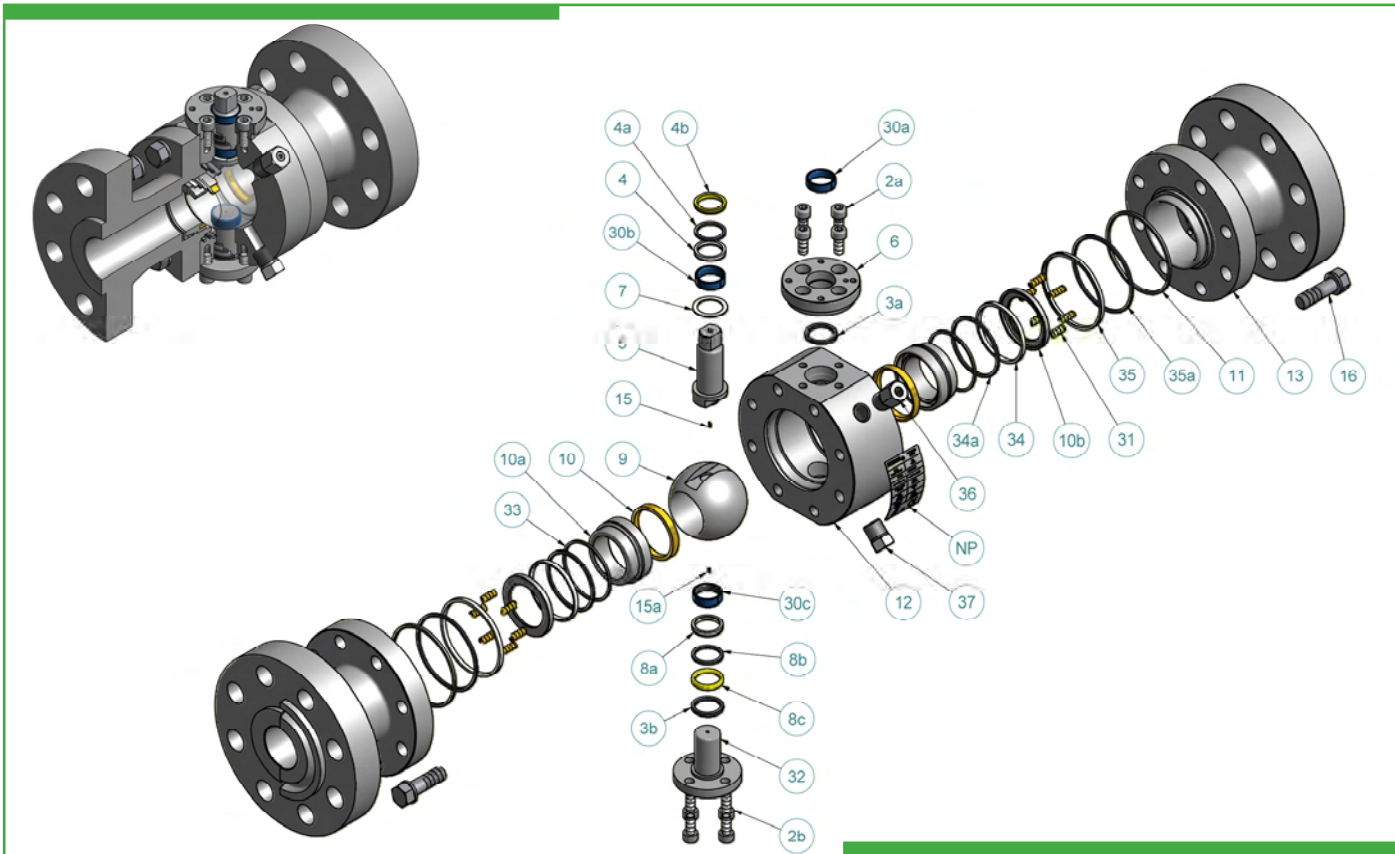
MANUAL GEAR OPERATION OR AUTOMATION						
DIMENSIONS [mm]						ISO 5211
V	L	D	G	N	T	
48	14	68	51.5	140	18	F14
48	14	69.5	51.5	140	18	F14
58	16	82	62	165	21	F16

REDUCED BORE												
VALVE SIZE		DIMENSIONS [mm]								WEIGHT [Kg]		
INCH	mm	A				BORE	C	E	F	RF	RTJ	SW-BW
		RF	RTJ	SW	BW							
8" x 6"	200 x 150	502	518	660.5	660.5	152	249	102	500	260	275	240
10" x 8"	250 x 200	568	584	520	520	201	291	385	600	300	320	290
12" x 10"	300 x 250	684	664	635	635	252	335	461	800	630	640	530

MANUAL GEAR OPERATION OR AUTOMATION						
DIMENSIONS [mm]						ISO 5211
V	L	D	G	N	T	
48	14	68	51.5	140	18	F14
48	14	69.5	51.5	140	18	F14
58	16	82	62	165	21	F16

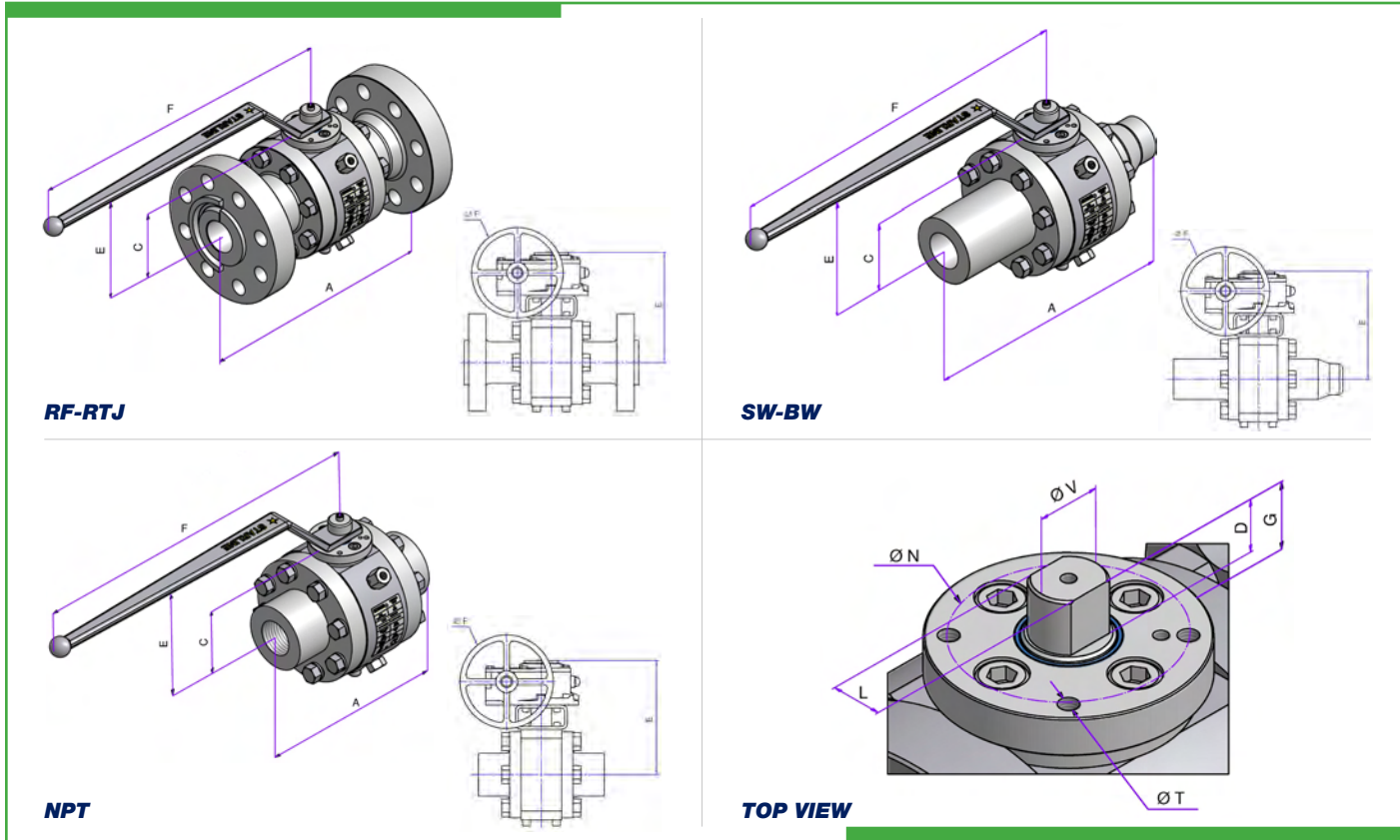
Gear Operated

Dimensions and weights are subject to change without notice.
Face to face dimensions not listed in industry standards are subject to change without notice.



ITEM NO.	Q.TY	PART NAME	MATERIAL (LF2/F316)	MATERIAL (F316/F316)	SPECIAL
NP	1	Name Plate	Stainless Steel	Stainless Steel	
2a	*****	Top Cover Screw	ASTM A193 B8	ASTM A193 B8	
2b	*****	Trunnion Screw	ASTM A193 B8	ASTM A193 B8	
3a	1	Stem Fire Seal	Graphite	Graphite	
3b	1	Trunnion Fire Seal	Graphite	Graphite	
4	1	Lip Seal Stem	PTFE + Stainless Steel	PTFE + Stainless Steel	
4a	1	Back-Up Lip Seal Stem	PTFE	PTFE	
4b	1	Stem Lip Seal Ring	ASTM A276/479 F316	ASTM A276/479 F316	
5	1	Upper Stem	ASTM A276/479 F316	ASTM A276/479 F316	
6	1	Top Cover	ASTM A350 LF2	ASTM A276/479 F316	
7	1	Thrust Washer	Reinforced PTFE	Reinforced PTFE	
8a	1	Lip Seal Trunnion	PTFE + Stainless Steel	PTFE + Stainless Steel	
8b	1	Back-Up Lip Seal Trunnion	PTFE	PTFE	
8c	1	Trunnion Lip Seal Ring	ASTM A276/479 F316	ASTM A276/479 F316	
9	1	Ball	ASTM A276/479 F316	ASTM A276/479 F316	
10	2	Insert Seat	T-R-S LOW PRESSURE N-D-P-E HIGH PRESSURE	T-R-S LOW PRESSURE N-D-P-E HIGH PRESSURE	METAL SEATED
10a	2	Seat	ASTM A276/479 F316	ASTM A276/479 F316	
10b	2	Seat Ring	ASTM A276/479 F316	ASTM A276/479 F316	
11	2	Adaptor Fire Seal	Graphite	Graphite	
12	1	Body	ASTM A350 LF2	ASTM A276/479 F316	
13	2	Adaptor Flange	ASTM A350 LF2	ASTM A276/479 F316	
15 - 15a	2	Antistatic Spring	INCONEL X -750	INCONEL X -750	
16	*****	Adaptor Bolts	ASTM A320 L7M	ASTM A193 B8M	
30a - 30b - 30c	1+1+1	Bearing	ASTM A276/479 F316	ASTM A276/479 F316	
31	*****	Seat Spring	INCONEL X - 750	INCONEL X - 750	
32	1	Trunnion	ASTM A276/479 F316	ASTM A276/479 F316	
33	2	Seat Fire Seal	Graphite	Graphite	
34	2	Lip Seal Seat	PTFE + Stainless Steel	PTFE + Stainless Steel	
34a	2	Back-Up Lip Seal Seat	PTFE	PTFE	
35	2	Lip Seal Flange	PTFE + Stainless Steel	PTFE + Stainless Steel	
35a	2	Back-Up Lip Seal Flange	PTFE	PTFE	
36	1	Vent valve / bleeder	ASTM A276/479 F316	ASTM A276/479 F316	
37	1	Drain Plug	ASTM A276/479 F316	ASTM A276/479 F316	

Recommended spare parts



FULL BORE													
VALVE SIZE		DIMENSIONS [mm]								WEIGHT [Kg]			
INCH	mm	A				BORE	C	E	F	RF	RTJ	SW-BW	NPT/F
		RF	RTJ	SW-BW	NPT/F								
1/2" x 1/2"	15 x 15	165	163.5	165	2.5	12.7	40	95	172.5	4.5	4.5	3	3
3/4" x 3/4"	20 x 20	191	191	191	5.5	19	48	102	218	7	7	6	6
1" x 1"	25 x 25	216	216	216	8.5	25.4	61	115	218	10	10	9	9
1.1/2" x 1.1/2"	40 x 40	241	241	12	12	38	72	130	420	16	16	12.5	12.5
2" x 2"	50 x 50	292	295	292	230	51	88	146	420	26	27	22	22
3" x 3"	80 x 80	356	359	356	-	76	120	177	420	53	54	48	-
4" x 4"	100 x 100	432	435	432	-	101.6	160	350	400	120	122	110	-

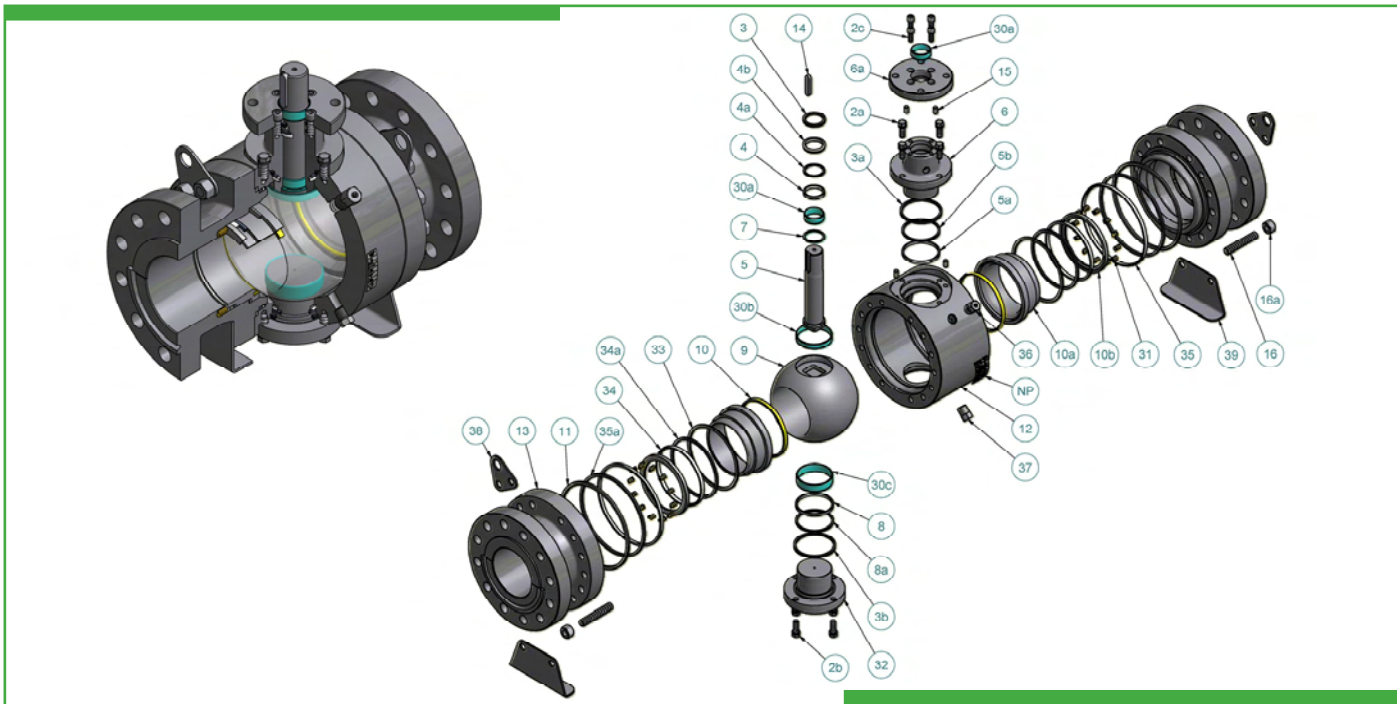
MANUAL GEAR OPERATION OR AUTOMATION							
DIMENSIONS [mm]							ISO 5211
V	L	D	G	N	T		
12	7.5	5	6.5	42	M5	F04	
15	9	7.5	8.5	50	M6	F05	
15	9	9	10	50	M6	F05	
22	16	16	19	70	M8	F07	
22	16	16	19	70	M8	F07	
24	18	22.5	24	70	M8	F07	
40	30	30	32	102	M10	F10	

REDUCED BORE													
VALVE SIZE		DIMENSIONS [mm]								WEIGHT [Kg]			
INCH	mm	A				BORE	C	E	F	RF	RTJ	SW-BW	NPT/F
		RF	RTJ	SW-BW	NPT/F								
3/4" x 1/2"	20 x 15	191	191	191	2.5	12.7	40	95	172.5	5.5	5.5	3.5	3.5
1" x 3/4"	25 x 20	216	216	216	5.5	19	48	102	218	8	8	6.5	6.5
1.1/4" x 1"	32 x 25	229	229	229	8.5	25.4	61	115	218	12	12	9.5	9.5
1.1/2" x 1"	40 x 25	241	241	241	8.5	25.4	61	115	218	15	15	9.5	9.5
2" x 1.1/2"	50 x 40	292	28.5	292	12	38	72	130	420	25	26	13.5	13.5
3" x 2"	80 x 50	356	359	356	-	51	88	146	420	35	36	24	-
4" x 3"	100 x 80	436	435	432	-	76	120	177	420	65	67	55	-
6" x 4"	150 x 100	559	562	559	-	101.6	160	350	400	160	165	112	-

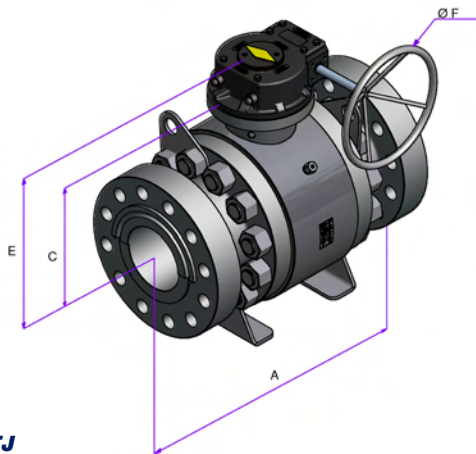
MANUAL GEAR OPERATION OR AUTOMATION							
DIMENSIONS [mm]							ISO 5211
V	L	D	G	N	T		
12	7.5	5	6.5	42	M5	F04	
15	9	7.5	8.5	50	M6	F05	
15	9	9	10	50	M6	F05	
15	9	9	10	50	M6	F05	
22	16	16	19	70	M8	F07	
22	16	16	19	70	M8	F07	
24	18	22.5	24	70	M8	F07	
40	30	30	32	102	M10	F10	

Gear Operated

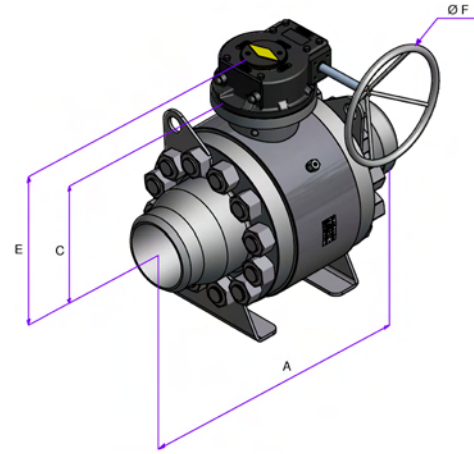
Dimensions and weights are subject to change without notice.
Face to face dimensions not listed in industry standards are subject to change without notice.



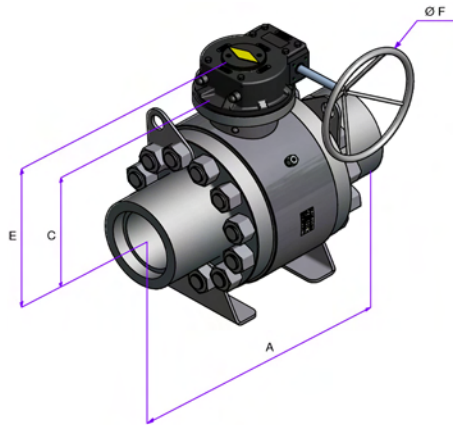
ITEM NO.	Q.TY	PART NAME	MATERIAL (LF2/F316)	MATERIAL (F316/F316)	SPECIAL
NP	1	Name Plate	Stainless Steel	Stainless Steel	
2a	*****	Top Cover Screw	ASTM A193 B8	ASTM A193 B8	
2b	*****	Trunnion Screw	ASTM A193 B8	ASTM A193 B8	
2c	*****	Upper Flange Screw	ASTM A193 B8	ASTM A193 B8	
3	1	Stem Fire Seal	Graphite	Graphite	
3a	1	Top Cover Fire Seal	Graphite	Graphite	
3b	1	Trunnion Fire Seal	Graphite	Graphite	
4	1	Lip Seal Stem	PTFE + Stainless Steel	PTFE + Stainless Steel	
4a	1	Back-Up Lip Seal Stem	PTFE	PTFE	
4b	1	Stem Lip Seal Ring	ASTM A276/479 F316	ASTM A276/479 F316	
5	1	Upper Stem	ASTM A276/479 F316	ASTM A276/479 F316	
5a	1	Lip Seal Top Cover	PTFE + Stainless Steel	PTFE + Stainless Steel	
5b	1	Back-Up Lip Seal Top Cover	PTFE	PTFE	
6	1	Top Cover	ASTM A350 LF2	ASTM A276/479 F316	
6a	1	Upper Flange	ASTM A350 LF2	ASTM A276/479 F316	
7	1	Thrust Washer	Reinforced PTFE	Reinforced PTFE	
8	1	Lip Seal Trunnion	PTFE + Stainless Steel	PTFE + Stainless Steel	
8a	1	Back-Up Lip Seal Trunnion	PTFE	PTFE	
9	1	Ball	ASTM A276/479 F316	ASTM A276/479 F316	
10	2	Insert Seat	T-R-S LOW PRESSURE N-D-P-E HIGH PRESSURE	T-R-S LOW PRESSURE N-D-P-E HIGH PRESSURE	METAL SEATED
10a	2	Seat	ASTM A276/479 F316	ASTM A276/479 F316	
10b	2	Seat Ring	ASTM A276/479 F316	ASTM A276/479 F316	
11	2	Adaptor Fire Seal	Graphite	Graphite	
12	1	Body	ASTM A350 LF2	ASTM A276/479 F316	
13	2	Adaptor Flange	ASTM A350 LF2	ASTM A276/479 F316	
14	1	Stem Key	Carbon Steel	Carbon Steel	
15	4	Top Cover / Upper Flange Pin	INCONEL X -750	INCONEL X -750	
16	*****	Stud Bolts	ASTM A320 L7M	ASTM A193 B8M	
16a	*****	Nuts	ASTM A194 GR 4	ASTM A194 GR8 M	
30a-30b-30c	2+1+1	Stem - Ball - Trunnion Bearing	ASTM A276/479 F316	ASTM A276/479 F316	
31	*****	Seat Spring	INCONEL X - 750	INCONEL X - 750	
32	1	Trunnion	ASTM A276/479 F316	ASTM A276/479 F316	
33	2	Seat Fire Seal	Graphite	Graphite	
34	2	Lip Seal Seat	PTFE + Stainless Steel	PTFE + Stainless Steel	
34a	2	Back-Up Lip Seal Seat	PTFE	PTFE	
35	2	Lip Seal Flange	PTFE + Stainless Steel	PTFE + Stainless Steel	
35a	2	Back-Up Lip Seal Flange	PTFE	PTFE	
36	1	Vent valve / bleeder	ASTM A276/479 F316	ASTM A276/479 F316	
37	1	Drain Plug	ASTM A276/479 F316	ASTM A276/479 F316	
38	2	Lifting Lug	ASTM A350 LF2	ASTM A276/479 F316	
39	2	Foot	ASTM A350 LF2	ASTM A276/479 F316	



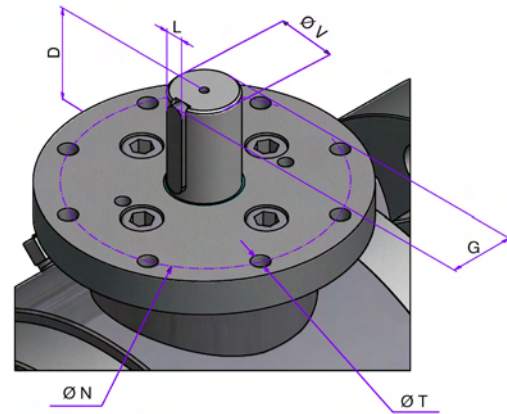
RF-RTJ



BW



SW



TOP VIEW

FULL BORE												
VALVE SIZE		DIMENSIONS [mm]								WEIGHT [Kg]		
INCH	mm	A				BORE	C	E	F	RF	RTJ	SW-BW
		RF	RTJ	SW	BW							
6" x 6"	150 x 150	559	562	559	559	152	249	340	500	255	263	230
8" x 8"	200 x 200	660.5	664	660	660	200	293.5	417	800	462	475	455
10" x 10"	250 x 250	788	791	787	787	252	332	528	800	715	725	690

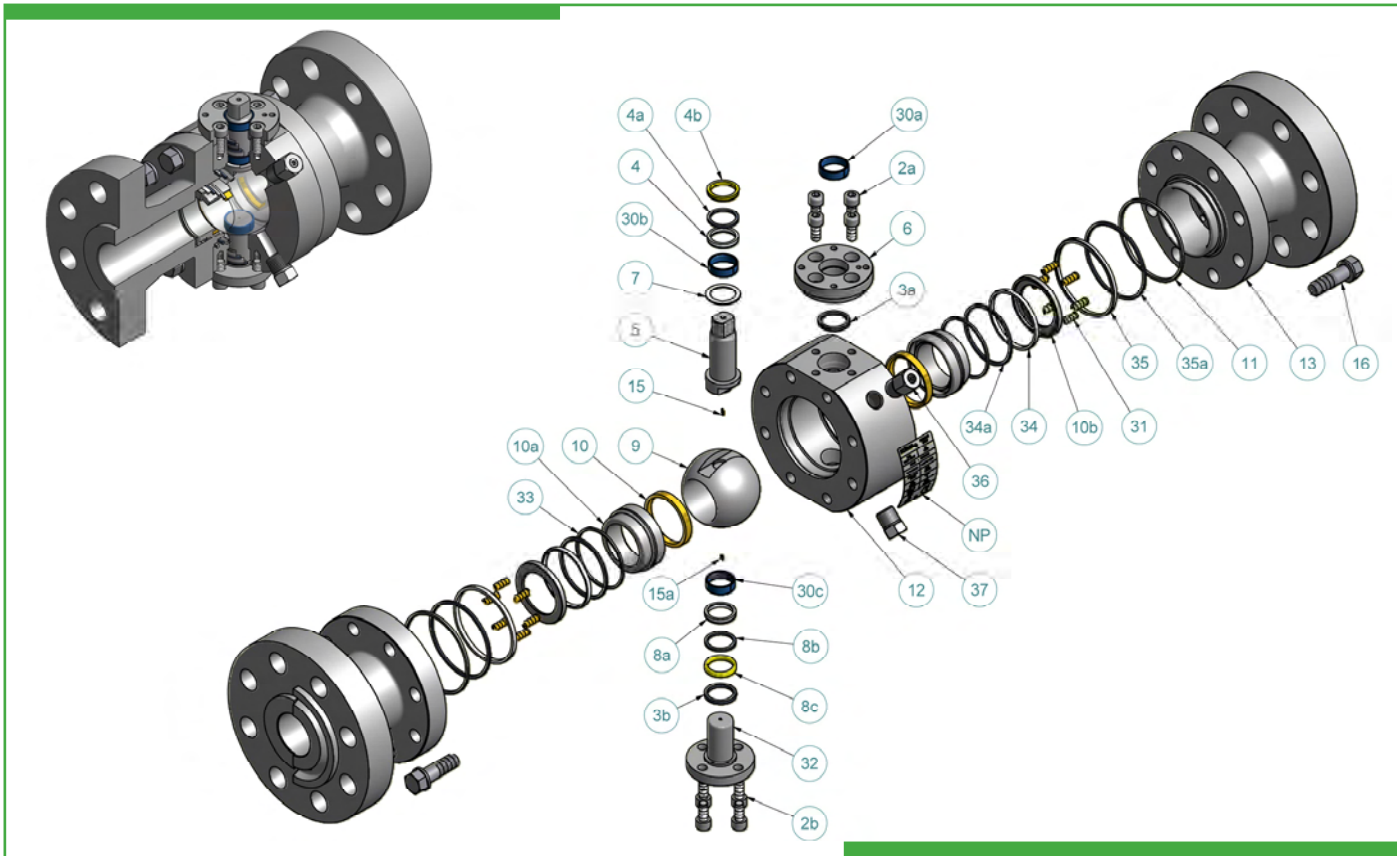
MANUAL GEAR OPERATION OR AUTOMATION						
DIMENSIONS [mm]						ISO 5211
V	L	D	G	N	T	
48	14	68	51.5	140	18	F14
48	14	81.5	51.5	254	18	F25
58	16	85	62	254	18	F25

REDUCED BORE												
VALVE SIZE		DIMENSIONS [mm]								WEIGHT [Kg]		
INCH	mm	A				BORE	C	E	F	RF	RTJ	SW-BW
		RF	RTJ	SW	BW							
8" x 6"	200 x 150	660.5	664	660.5	660.5	152	249	340	500	287	295	250
10" x 8"	250 x 200	788	791	787	787	200	293.5	417	800	528	541	475
12" x 10"	300 x 250	838	841	838	838	252	332	528	800	750	760	720

MANUAL GEAR OPERATION OR AUTOMATION						
DIMENSIONS [mm]						ISO 5211
V	L	D	G	N	T	
48	14	68	51.5	140	18	F14
48	14	81.5	51.5	254	18	F25
58	16	85	62	254	18	F25

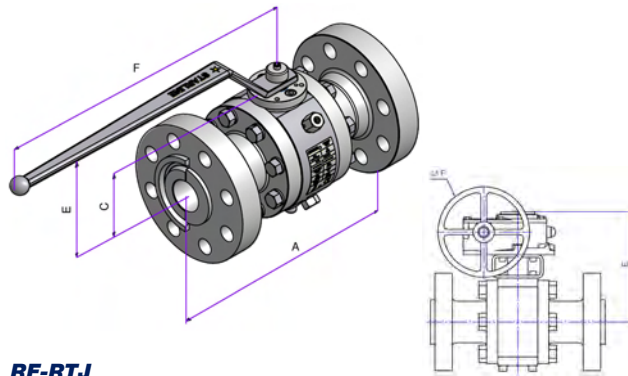
Gear Operated

Dimensions and weights are subject to change without notice.
Face to face dimensions not listed in industry standards are subject to change without notice.

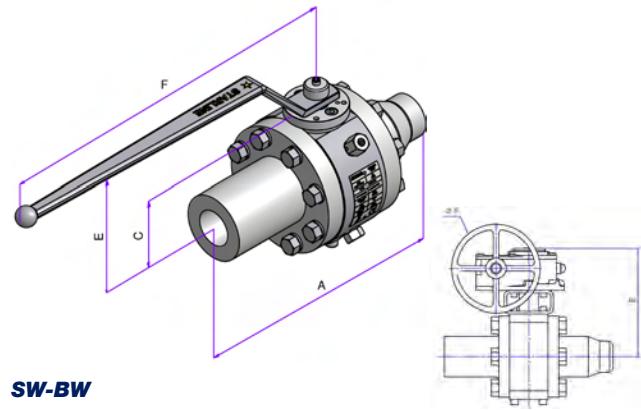


ITEM NO.	Q. TY	PART NAME	MATERIAL (LF2/F316)	MATERIAL (F316/F316)	SPECIAL
NP	1	Name Plate	Stainless Steel	Stainless Steel	
2a	*****	Top Cover Screw	ASTM A193 B8	ASTM A193 B8	
2b	*****	Trunnion Screw	ASTM A193 B8	ASTM A193 B8	
3a	1	Stem Fire Seal	Graphite	Graphite	
3b	1	Trunnion Fire Seal	Graphite	Graphite	
4	1	Lip Seal Stem	PTFE + Stainless Steel	PTFE + Stainless Steel	
4a	1	Back-Up Lip Seal Stem	PTFE	PTFE	
4b	1	Stem Lip Seal Ring	ASTM A276/479 F316	ASTM A276/479 F316	
5	1	Upper Stem	ASTM A276/479 F316	ASTM A276/479 F316	
6	1	Top Cover	ASTM A350 LF2	ASTM A276/479 F316	
7	1	Thrust Washer	Reinforced PTFE	Reinforced PTFE	
8a	1	Lip Seal Trunnion	PTFE + Stainless Steel	PTFE + Stainless Steel	
8b	1	Back-Up Lip Seal Trunnion	PTFE	PTFE	
8c	1	Trunnion Lip Seal Ring	ASTM A276/479 F316	ASTM A276/479 F316	
9	1	Ball	ASTM A276/479 F316	ASTM A276/479 F316	
10	2	Insert Seat	T-R-S LOW PRESSURE N-D-P-E HIGH PRESSURE	T-R-S LOW PRESSURE N-D-P-E HIGH PRESSURE	METAL SEATED
10a	2	Seat	ASTM A276/479 F316	ASTM A276/479 F316	
10b	2	Seat Ring	ASTM A276/479 F316	ASTM A276/479 F316	
11	2	Adaptor Fire Seal	Graphite	Graphite	
12	1	Body	ASTM A350 LF2	ASTM A276/479 F316	
13	2	Adaptor Flange	ASTM A350 LF2	ASTM A276/479 F316	
15 - 15a	2	Antistatic Spring	INCONEL X - 750	INCONEL X - 750	
16	*****	Adaptor Bolts	ASTM A320 L7M	ASTM A193 B8M	
30a - 30b - 30c	1+1+1	Bearing	ASTM A276/479 F316	ASTM A276/479 F316	
31	*****	Seat Spring	INCONEL X - 750	INCONEL X - 750	
32	1	Trunnion	ASTM A276/479 F316	ASTM A276/479 F316	
33	2	Seat Fire Seal	Graphite	Graphite	
34	2	Lip Seal Seat	PTFE + Stainless Steel	PTFE + Stainless Steel	
34a	2	Back-Up Lip Seal Seat	PTFE	PTFE	
35	2	Lip Seal Flange	PTFE + Stainless Steel	PTFE + Stainless Steel	
35a	2	Back-Up Lip Seal Flange	PTFE	PTFE	
36	1	Vent valve / bleeder	ASTM A276/479 F316	ASTM A276/479 F316	
37	1	Drain Plug	ASTM A276/479 F316	ASTM A276/479 F316	

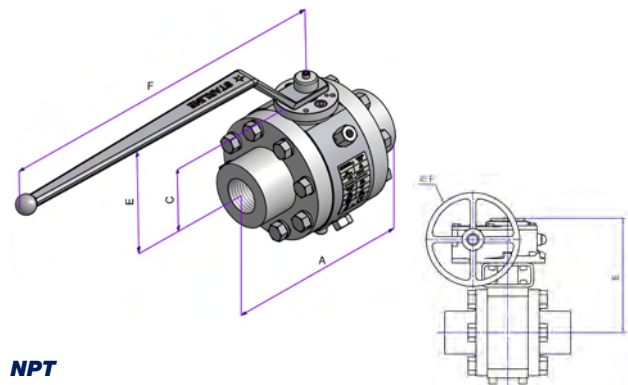
Recommended spare parts



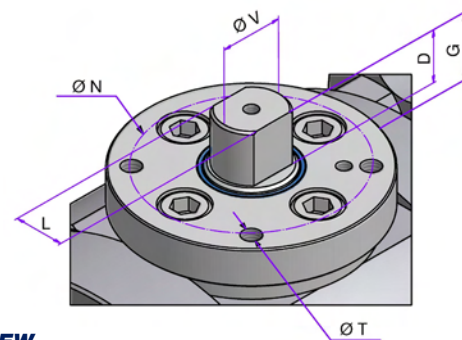
RF-RTJ



SW-BW



NPT



TOP VIEW

FULL BORE													
VALVE SIZE		DIMENSIONS [mm]								WEIGHT [Kg]			
INCH	mm	A				BORE	C	E	F	RF	RTJ	SW-BW	NPT/F
		RF	RTJ	SW-BW	NPT/F								
1/2" x 1/2"	15 x 15	216	216	216	3	12.7	40	95	172.5	5	5	3.5	3.5
3/4" x 3/4"	20 x 20	229	229	229	8.5	19	48	102	218	11	11	9.5	9.5
1" x 1"	25 x 25	254	254	254	14	25.4	61	115	218	18	18	15	15
1.1/2" x 1.1/2"	40 x 40	305	305	305	27	38	90	147	420	34	34	30	30
2" x 2"	50 x 50	368	371	368	40	51	100	158	420	50	50	45	45
3" x 3"	80 x 80	381	384	381	-	76	148	335	400	85	86	50	-
4" x 4"	100 x 100	457	460	457	-	101.6	188	380	400	170	175	150	-

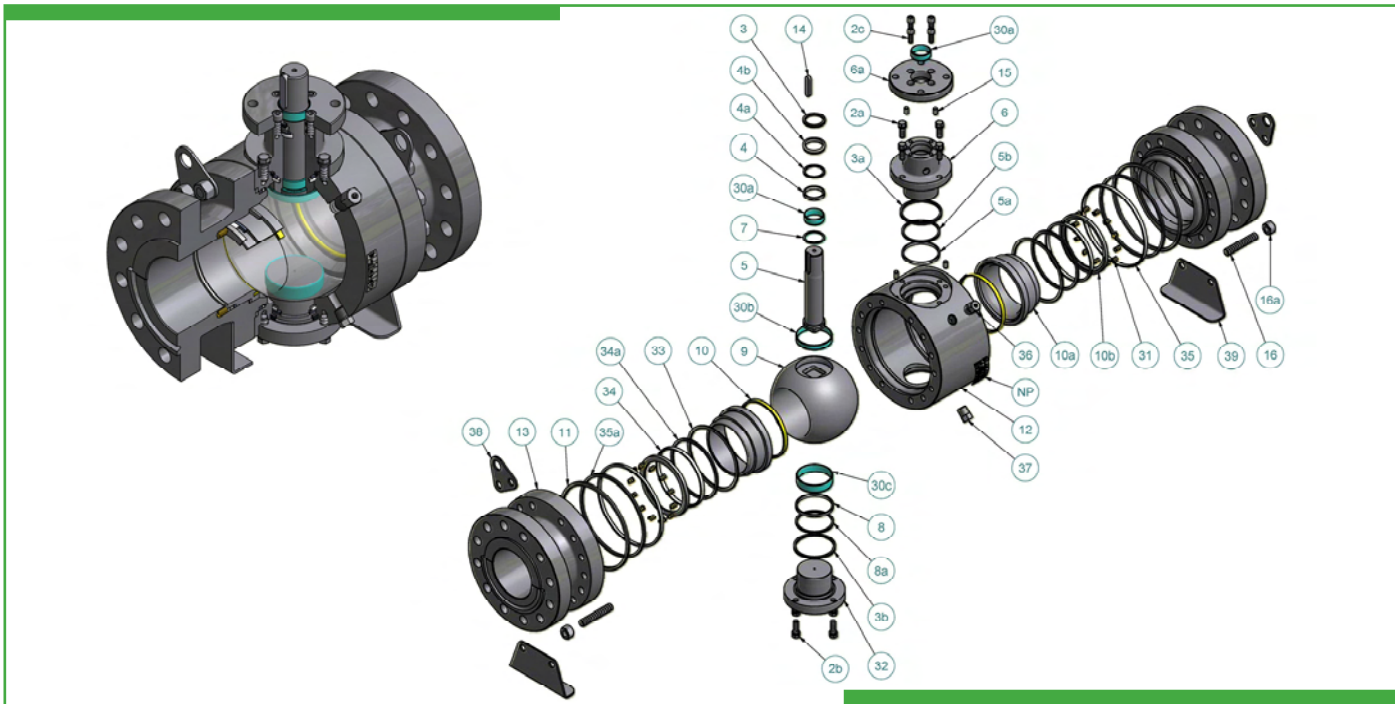
MANUAL GEAR OPERATION OR AUTOMATION							
DIMENSIONS [mm]							ISO 5211
V	L	D	G	N	T		
12	7.5	5	6.5	42	M5	F04	
15	9	7.5	8.5	50	M6	F05	
15	9	9	10	50	M6	F05	
22	16	14.5	16	70	M8	F07	
24	18	19	22	70	M8	F07	
40	30	30	32	102	M10	F10	
55	36	40	42	125	M12	F12	

REDUCED BORE													
VALVE SIZE		DIMENSIONS [mm]								WEIGHT [Kg]			
INCH	mm	A				BORE	C	E	F	RF	RTJ	SW-BW	NPT/F
		RF	RTJ	SW-BW	NPT/F								
3/4" x 1/2"	20 x 15	229	229	229	3.5	12.7	40	95	172.5	6.5	6.5	4	4
1" x 3/4"	25 x 20	254	254	254	10	19	48	102	218	13	13	11	11
1.1/4" x 1"	32 x 25	280	280	280	14	25.4	61	115	218	22	22	16	16
1.1/2" x 1"	40 x 25	305	305	305	14	25.4	61	115	218	25	25	17	17
2" x 1.1/2"	50 x 40	368	371	28	27	38	90	147	420	40	41	33	33
3" x 2"	80 x 50	381	384	384	-	51	100	158	420	55	56	50	-
4" x 3"	100 x 80	457	460	457	-	76	148	335	400	110	115	60	-
6" x 4"	150 x 100	609.5	612.5	609.5	-	101.6	188	380	400	205	210	145	-

MANUAL GEAR OPERATION OR AUTOMATION							
DIMENSIONS [mm]							ISO 5211
V	L	D	G	N	T		
12	7.5	5	6.5	42	M5	F04	
15	9	7.5	8.5	50	M6	F05	
15	9	9	10	50	M6	F05	
15	9	9	10	50	M6	F05	
22	16	14.5	16	70	M8	F07	
24	18	19	22	70	M8	F07	
40	30	30	32	102	M10	F10	
55	36	40	42	125	M12	F12	

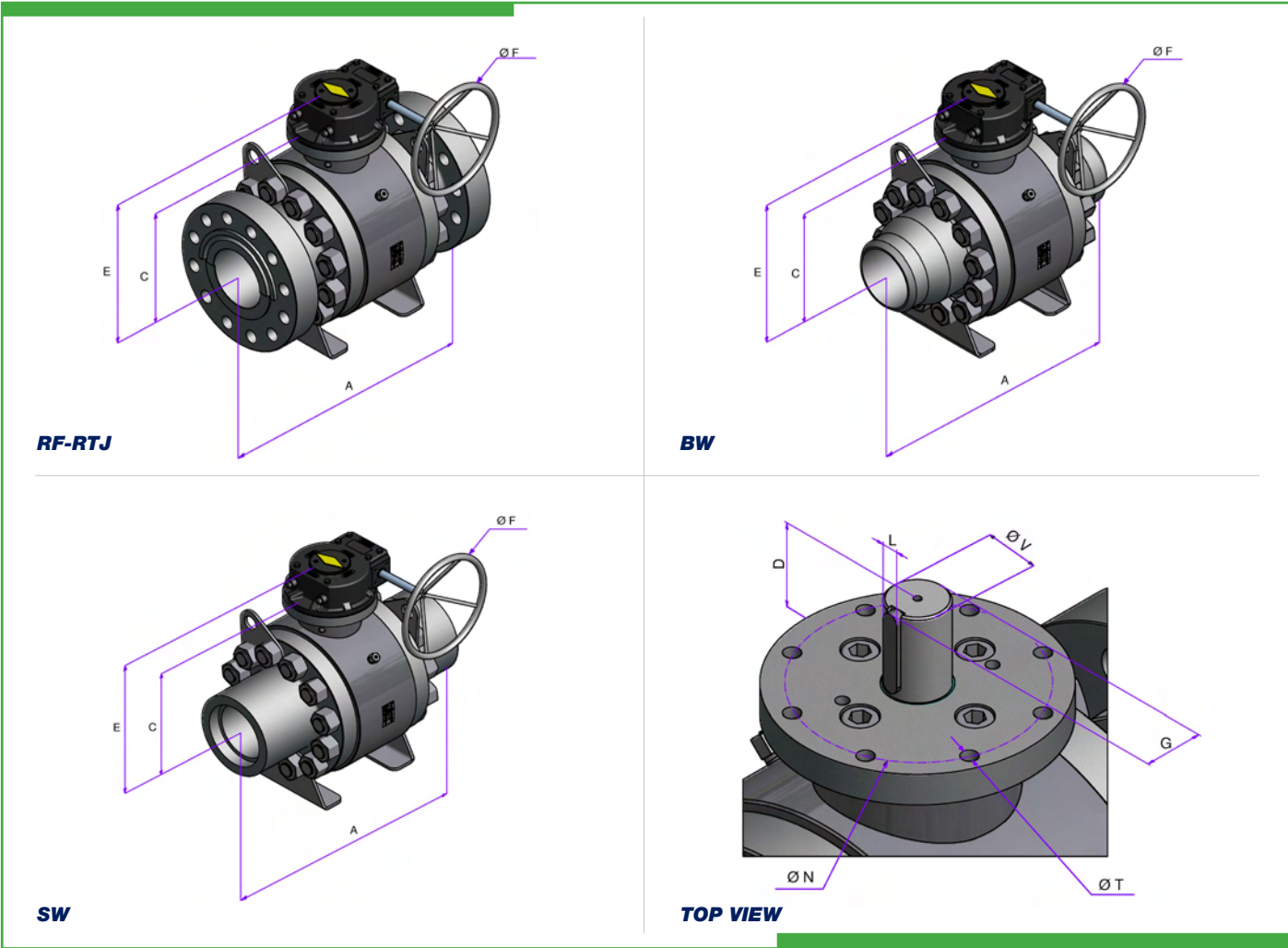
Gear Operated

Dimensions and weights are subject to change without notice.
Face to face dimensions not listed in industry standards are subject to change without notice.



ITEM NO.	Q.TY	PART NAME	MATERIAL (LF2/F316)	MATERIAL (F316/F316)	SPECIAL
NP	1	Name Plate	Stainless Steel	Stainless Steel	
2a	*****	Top Cover Screw	ASTM A193 B8	ASTM A193 B8	
2b	*****	Trunnion Screw	ASTM A193 B8	ASTM A193 B8	
2c	*****	Upper Flange Screw	ASTM A193 B8	ASTM A193 B8	
3	1	Stem Fire Seal	Graphite	Graphite	
3a	1	Top Cover Fire Seal	Graphite	Graphite	
3b	1	Trunnion Fire Seal	Graphite	Graphite	
4	1	Lip Seal Stem	PTFE + Stainless Steel	PTFE + Stainless Steel	
4a	1	Back-Up Lip Seal Stem	PTFE	PTFE	
4b	1	Stem Lip Seal Ring	ASTM A276/479 F316	ASTM A276/479 F316	
5	1	Upper Stem	ASTM A276/479 F316	ASTM A276/479 F316	
5a	1	Lip Seal Top Cover	PTFE + Stainless Steel	PTFE + Stainless Steel	
5b	1	Back-Up Lip Seal Top Cover	PTFE	PTFE	
6	1	Top Cover	ASTM A350 LF2	ASTM A276/479 F316	
6a	1	Upper Flange	ASTM A350 LF2	ASTM A276/479 F316	
7	1	Thrust Washer	Reinforced PTFE	Reinforced PTFE	
8	1	Lip Seal Trunnion	PTFE + Stainless Steel	PTFE + Stainless Steel	
8a	1	Back-Up Lip Seal Trunnion	PTFE	PTFE	
9	1	Ball	ASTM A276/479 F316	ASTM A276/479 F316	
10	2	Insert Seat	T-R-S LOW PRESSURE N-D-P-E HIGH PRESSURE	T-R-S LOW PRESSURE N-D-P-E HIGH PRESSURE	METAL SEATED
10a	2	Seat	ASTM A276/479 F316	ASTM A276/479 F316	
10b	2	Seat Ring	ASTM A276/479 F316	ASTM A276/479 F316	
11	2	Adaptor Fire Seal	Graphite	Graphite	
12	1	Body	ASTM A350 LF2	ASTM A276/479 F316	
13	2	Adaptor Flange	ASTM A350 LF2	ASTM A276/479 F316	
14	1	Stem Key	Carbon Steel	Carbon Steel	
15	4	Top Cover / Upper Flange Pin	INCONEL X -750	INCONEL X -750	
16	*****	Stud Bolts	ASTM A320 L7M	ASTM A193 B8M	
16a	*****	Nuts	ASTM A194 GR 4	ASTM A194 GR8 M	
30a- 30b - 30c	2+1+1	Stem - Ball - Trunnion Bearing	ASTM A276/479 F316	ASTM A276/479 F316	
31	*****	Seat Spring	INCONEL X - 750	INCONEL X - 750	
32	1	Trunnion	ASTM A276/479 F316	ASTM A276/479 F316	
33	2	Seat Fire Seal	Graphite	Graphite	
34	2	Lip Seal Seat	PTFE + Stainless Steel	PTFE + Stainless Steel	
34a	2	Back-Up Lip Seal Seat	PTFE	PTFE	
35	2	Lip Seal Flange	PTFE + Stainless Steel	PTFE + Stainless Steel	
35a	2	Back-Up Lip Seal Flange	PTFE	PTFE	
36	1	Vent valve / bleeder	ASTM A276/479 F316	ASTM A276/479 F316	
37	1	Drain Plug	ASTM A276/479 F316	ASTM A276/479 F316	
38	2	Lifting Lug	ASTM A350 LF2	ASTM A276/479 F316	
39	2	Foot	ASTM A350 LF2	ASTM A276/479 F316	

Recommended spare parts



FULL BORE												
VALVE SIZE		DIMENSIONS [mm]								WEIGHT [Kg]		
INCH	mm	A				BORE	C	E	F	RF	RTJ	SW-BW
		RF	RTJ	SW	BW							
6" x 6"	150 x 150	609.5	612.5	609.5	609.5	150	266	459.5	500	343	350	340
8" x 8"	200 x 200	737	740	737	737	201	309	433	800	610	620	605

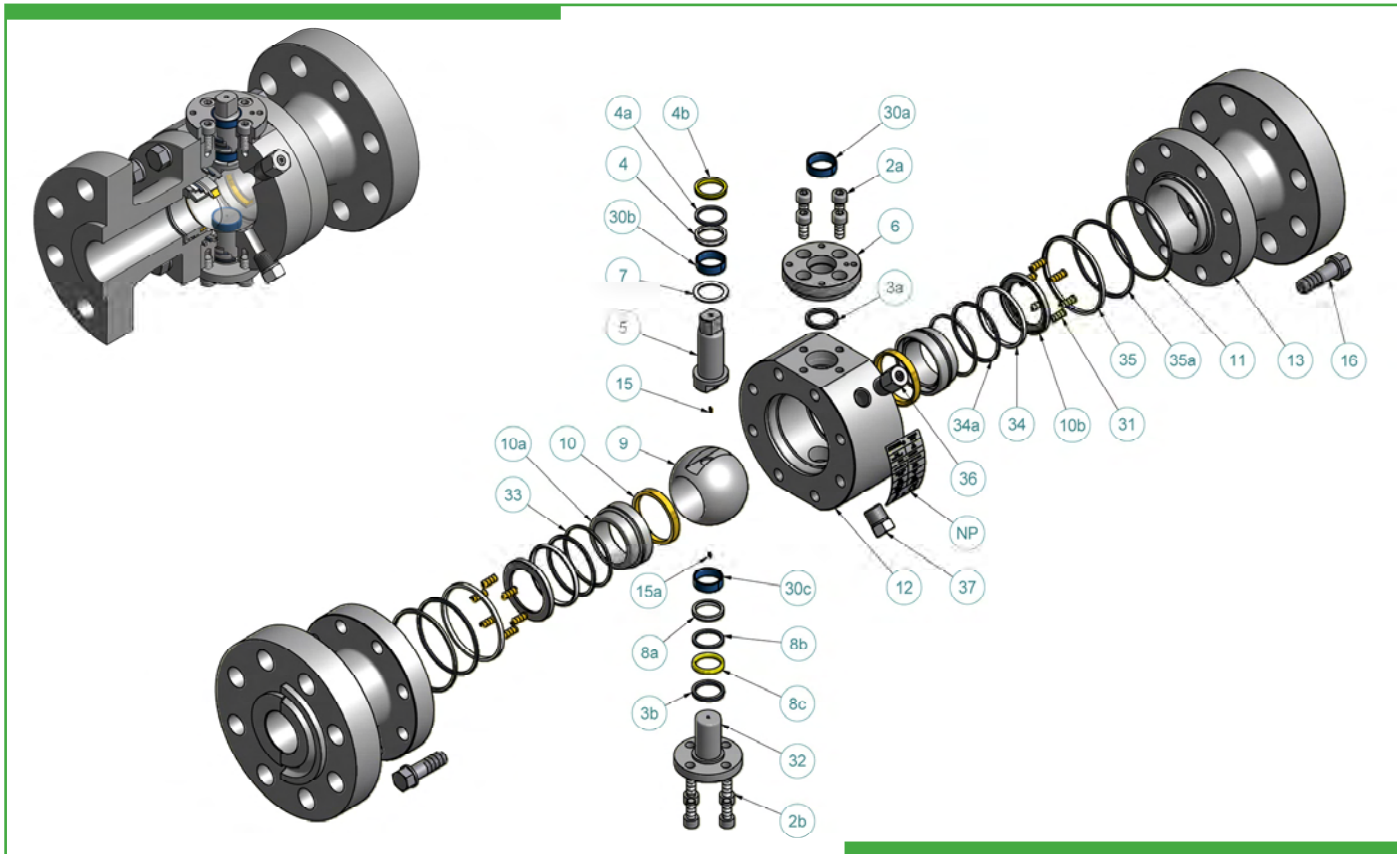
MANUAL GEAR OPERATION OR AUTOMATION							
DIMENSIONS [mm]							ISO 5211
V	L	D	G	N	T		
48	14	68	53	140	18	F14	
50	14	83.5	53	254	18	F25	

REDUCED BORE												
VALVE SIZE		DIMENSIONS [mm]								WEIGHT [Kg]		
INCH	mm	A				BORE	C	E	F	RF	RTJ	SW-BW
		RF	RTJ	SW	BW							
8" x 6"	200 x 150	737	740	737	737	150	266	439.5	500	425	430	420
10" x 8"	250 x 200	838	941	838	838	201	309	433	800	670	660	650

MANUAL GEAR OPERATION OR AUTOMATION							
DIMENSIONS [mm]							ISO 5211
V	L	D	G	N	T		
48	14	68	53	140	18	F14	
50	14	83.5	53	254	18	F25	

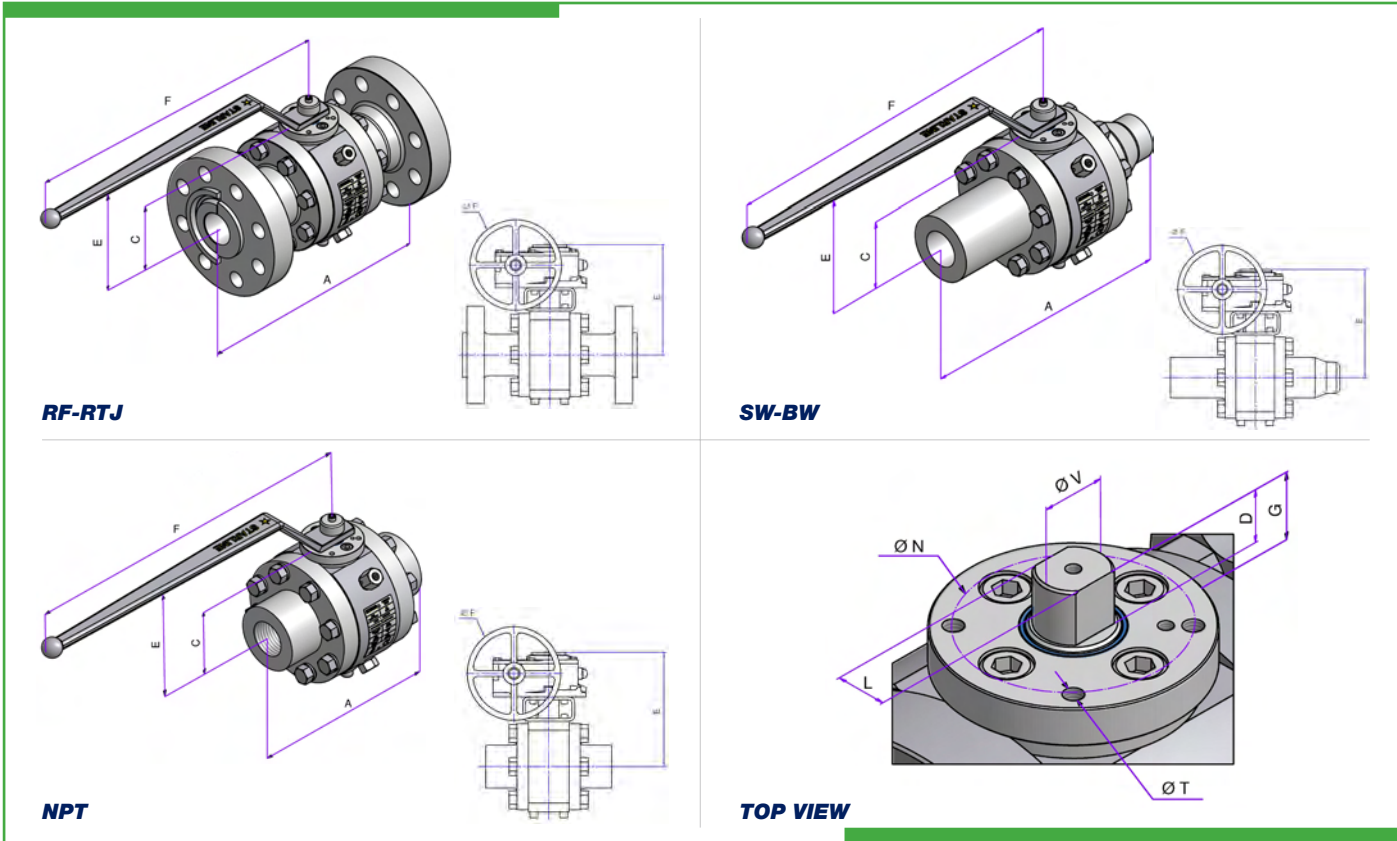
Gear Operated

Dimensions and weights are subject to change without notice.
Face to face dimensions not listed in industry standards are subject to change without notice.



ITEM NO.	Q. TY	PART NAME	MATERIAL (LF2/F316)	MATERIAL (F316/F316)	SPECIAL
NP	1	Name Plate	Stainless Steel	Stainless Steel	
2a	*****	Top Cover Screw	ASTM A193 B8	ASTM A193 B8	
2b	*****	Trunnion Screw	ASTM A193 B8	ASTM A193 B8	
3a	1	Stem Fire Seal	Graphite	Graphite	
3b	1	Trunnion Fire Seal	Graphite	Graphite	
4	1	Lip Seal Stem	PTFE + Stainless Steel	PTFE + Stainless Steel	
4a	1	Back-Up Lip Seal Stem	PTFE	PTFE	
4b	1	Stem Lip Seal Ring	ASTM A276/479 F316	ASTM A276/479 F316	
5	1	Upper Stem	ASTM A276/479 F316	ASTM A276/479 F316	
6	1	Top Cover	ASTM A350 LF2	ASTM A276/479 F316	
7	1	Thrust Washer	Reinforced PTFE	Reinforced PTFE	
8a	1	Lip Seal Trunnion	PTFE + Stainless Steel	PTFE + Stainless Steel	
8b	1	Back-Up Lip Seal Trunnion	PTFE	PTFE	
8c	1	Trunnion Lip Seal Ring	ASTM A276/479 F316	ASTM A276/479 F316	
9	1	Ball	ASTM A276/479 F316	ASTM A276/479 F316	
10	2	Insert Seat	T-R-S LOW PRESSURE N-D-P-E HIGH PRESSURE	T-R-S LOW PRESSURE N-D-P-E HIGH PRESSURE	METAL SEATED
10a	2	Seat	ASTM A276/479 F316	ASTM A276/479 F316	
10b	2	Seat Ring	ASTM A276/479 F316	ASTM A276/479 F316	
11	2	Adaptor Fire Seal	Graphite	Graphite	
12	1	Body	ASTM A350 LF2	ASTM A276/479 F316	
13	2	Adaptor Flange	ASTM A350 LF2	ASTM A276/479 F316	
15 - 15a	2	Antistatic Spring	INCONEL X - 750	INCONEL X - 750	
16	*****	Adaptor Bolts	ASTM A320 L7M	ASTM A193 B8M	
30a - 30b - 30c	1+1+1	Bearing	ASTM A276/479 F316	ASTM A276/479 F316	
31	*****	Seat Spring	INCONEL X - 750	INCONEL X - 750	
32	1	Trunnion	ASTM A276/479 F316	ASTM A276/479 F316	
33	2	Seat Fire Seal	Graphite	Graphite	
34	2	Lip Seal Seat	PTFE + Stainless Steel	PTFE + Stainless Steel	
34a	2	Back-Up Lip Seal Seat	PTFE	PTFE	
35	2	Lip Seal Flange	PTFE + Stainless Steel	PTFE + Stainless Steel	
35a	2	Back-Up Lip Seal Flange	PTFE	PTFE	
36	1	Vent valve / bleeder	ASTM A276/479 F316	ASTM A276/479 F316	
37	1	Drain Plug	ASTM A276/479 F316	ASTM A276/479 F316	

Recommended spare parts



FULL BORE													
VALVE SIZE		DIMENSIONS [mm]								WEIGHT [Kg]			
INCH	mm	A				BORE	C	E	F	RF	RTJ	SW-BW	NPT/F
		RF	RTJ	SW-BW	NPT/F								
1/2" x 1/2"	15 x 15	216	216	216	3	12.7	40	95	172.5	5	5	3.5	3.5
3/4" x 3/4"	20 x 20	229	229	229	8.5	19	48	102	218	11	11	9.5	9.5
1" x 1"	25 x 25	254	254	254	14	25.4	61	115	218	18	18	15	15
1.1/2" x 1.1/2"	40 x 40	305	305	305	27	38	90	147	420	34	34	30	30
2" x 2"	50 x 50	368	371	368	40	51	100	158	420	50	50	45	45
3" x 3"	80 x 80	470	473	470	-	76	148	335	400	90	90	60	-
4" x 4"	100 x 100	546	549	160	-	101.6	188	385	500	185	190	150	-

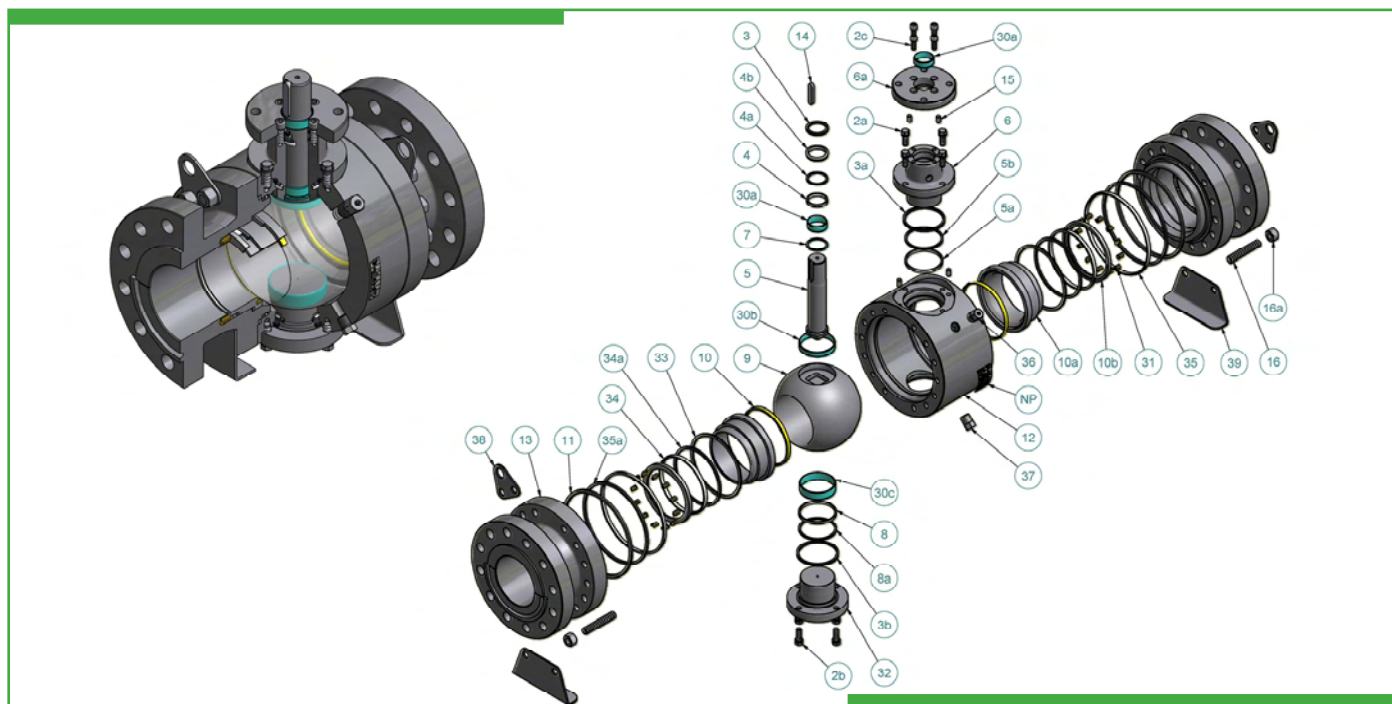
MANUAL GEAR OPERATION OR AUTOMATION							
DIMENSIONS [mm]							ISO 5211
V	L	D	G	N	T		
12	7.5	5	6.5	42	M5	F04	
15	9	7.5	8.5	50	M6	F05	
15	9	9	10	50	M6	F05	
22	16	14.5	16	70	M8	F07	
24	18	19	22	70	M8	F07	
40	30	30	32	102	M10	F10	
55	36	40	42	125	M12	F12	

REDUCED BORE													
VALVE SIZE		DIMENSIONS [mm]								WEIGHT [Kg]			
INCH	mm	A				BORE	C	E	F	RF	RTJ	SW-BW	NPT/F
		RF	RTJ	SW-BW	NPT/F								
3/4" x 1/2"	20 x 15	229	229	229	3.5	12.7	40	95	172.5	6.5	6.5	4	4
1" x 3/4"	25 x 20	254	254	254	14.5	19	48	102	218	13	13	11	11
1.1/4" x 1"	32 x 25	280	280	280	170	25.4	61	115	218	22	22	16	16
1.1/2" x 1"	40 x 25	305	305	305	170	25.4	61	115	218	25	25	17	17
2" x 1.1/2"	50 x 40	368	371	368	220	38	90	147	420	40	40	33	33
3" x 2"	80 x 50	470	473	470	-	51	100	158	420	68	69	48	-
4" x 3"	100 x 80	546	549	546	-	76	148	335	400	120	122	75	-
6" x 4"	150 x 100	705	711	705	-	101.6	188	385	500	230	235	155	-

MANUAL GEAR OPERATION OR AUTOMATION							
DIMENSIONS [mm]							ISO 5211
V	L	D	G	N	T		
12	7.5	5	6.5	42	M5	F04	
15	9	7.5	8.5	50	M6	F05	
15	9	9	10	50	M6	F05	
15	9	9	10	50	M6	F05	
22	16	14.5	16	70	M8	F07	
24	18	19	22	70	M8	F07	
40	30	30	32	102	M10	F10	
55	36	40	42	125	M12	F12	

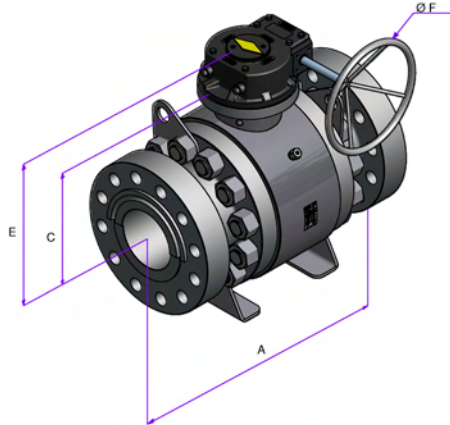
Gear Operated

Dimensions and weights are subject to change without notice.
Face to face dimensions not listed in industry standards are subject to change without notice.

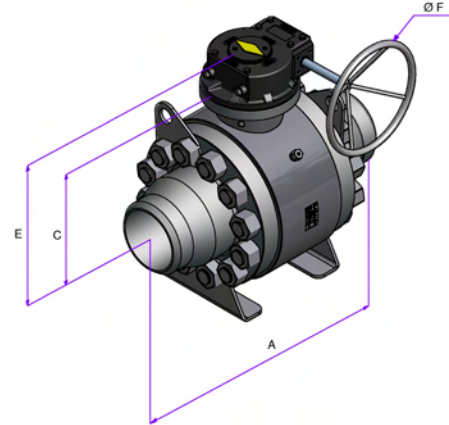


ITEM NO.	Q. TY	PART NAME	MATERIAL (LF2/F316)	MATERIAL (F316/F316)	SPECIAL
NP	1	Name Plate	Stainless Steel	Stainless Steel	
2a	*****	Top Cover Screw	ASTM A193 B8	ASTM A193 B8	
2b	*****	Trunnion Screw	ASTM A193 B8	ASTM A193 B8	
2c	*****	Upper Flange Screw	ASTM A193 B8	ASTM A193 B8	
3	1	Stem Fire Seal	Graphite	Graphite	
3a	1	Top Cover Fire Seal	Graphite	Graphite	
3b	1	Trunnion Fire Seal	Graphite	Graphite	
4	1	Lip Seal Stem	PTFE + Stainless Steel	PTFE + Stainless Steel	
4a	1	Back-Up Lip Seal Stem	PTFE	PTFE	
4b	1	Stem Lip Seal Ring	ASTM A276/479 F316	ASTM A276/479 F316	
5	1	Upper Stem	ASTM A276/479 F316	ASTM A276/479 F316	
5a	1	Lip Seal Top Cover	PTFE + Stainless Steel	PTFE + Stainless Steel	
5b	1	Back-Up Lip Seal Top Cover	PTFE	PTFE	
6	1	Top Cover	ASTM A350 LF2	ASTM A276/479 F316	
6a	1	Upper Flange	ASTM A350 LF2	ASTM A276/479 F316	
7	1	Thrust Washer	Reinforced PTFE	Reinforced PTFE	
8	1	Lip Seal Trunnion	PTFE + Stainless Steel	PTFE + Stainless Steel	
8a	1	Back-Up Lip Seal Trunnion	PTFE	PTFE	
9	1	Ball	ASTM A276/479 F316	ASTM A276/479 F316	
10	2	Insert Seat	T-R-S LOW PRESSURE N-D-P-E HIGH PRESSURE	T-R-S LOW PRESSURE N-D-P-E HIGH PRESSURE	METAL SEATED
10a	2	Seat	ASTM A276/479 F316	ASTM A276/479 F316	
10b	2	Seat Ring	ASTM A276/479 F316	ASTM A276/479 F316	
11	2	Adaptor Fire Seal	Graphite	Graphite	
12	1	Body	ASTM A350 LF2	ASTM A276/479 F316	
13	2	Adaptor Flange	ASTM A350 LF2	ASTM A276/479 F316	
14	1	Stem Key	Carbon Steel	Carbon Steel	
15	4	Top Cover / Upper Flange Pin	INCONEL X -750	INCONEL X -750	
16	*****	Stud Bolts	ASTM A320 L7M	ASTM A193 B8M	
16a	*****	Nuts	ASTM A194 GR 4	ASTM A194 GR8 M	
30a-30b-30c	2+1+1	Stem - Ball - Trunnion Bearing	ASTM A276/479 F316	ASTM A276/479 F316	
31	*****	Seat Spring	INCONEL X - 750	INCONEL X - 750	
32	1	Trunnion	ASTM A276/479 F316	ASTM A276/479 F316	
33	2	Seat Fire Seal	Graphite	Graphite	
34	2	Lip Seal Seat	PTFE + Stainless Steel	PTFE + Stainless Steel	
34a	2	Back-Up Lip Seal Seat	PTFE	PTFE	
35	2	Lip Seal Flange	PTFE + Stainless Steel	PTFE + Stainless Steel	
35a	2	Back-Up Lip Seal Flange	PTFE	PTFE	
36	1	Vent valve / bleeder	ASTM A276/479 F316	ASTM A276/479 F316	
37	1	Drain Plug	ASTM A276/479 F316	ASTM A276/479 F316	
38	2	Lifting Lug	ASTM A350 LF2	ASTM A276/479 F316	
39	2	Foot	ASTM A350 LF2	ASTM A276/479 F316	

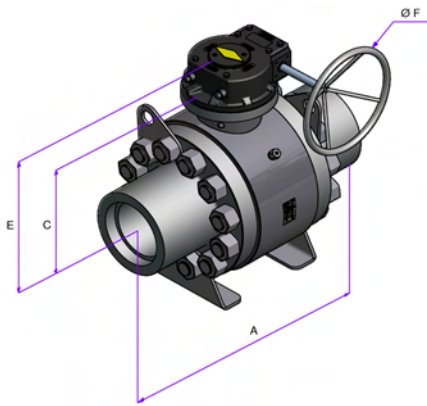
Recommended spare parts



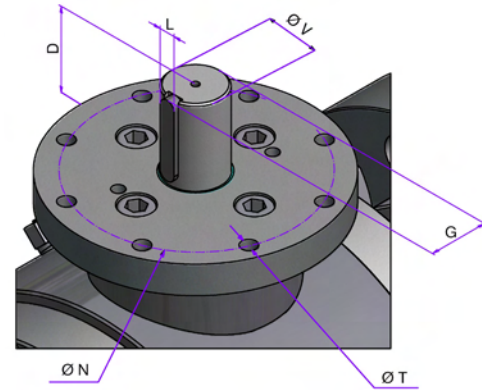
RF-RTJ



BW



SW



TOP VIEW

FULL BORE												
VALVE SIZE		DIMENSIONS [mm]								WEIGHT [Kg]		
INCH	mm	A				BORE	C	E	F	RF	RTJ	SW-BW
		RF	RTJ	SW	BW							
6" x 6"	150 x 150	703	711	705	705	144	331	407.5	600	545	550	540

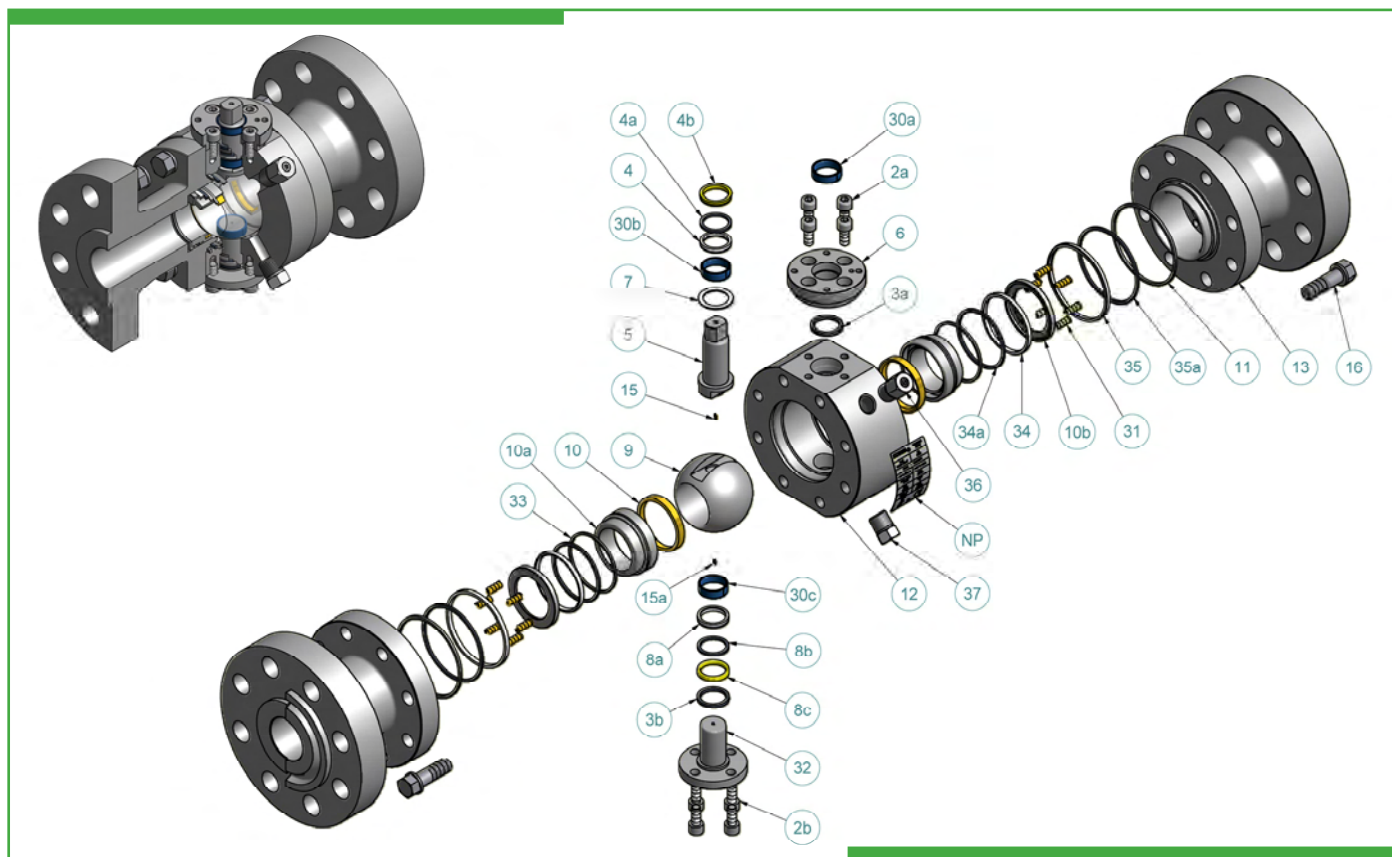
MANUAL GEAR OPERATION OR AUTOMATION						
DIMENSIONS [mm]						ISO 5211
V	L	D	G	N	T	
58	16	76.5	63	197	13	F20

REDUCED BORE												
VALVE SIZE		DIMENSIONS [mm]								WEIGHT [Kg]		
INCH	mm	A				BORE	C	E	F	RF	RTJ	SW-BW
		RF	RTJ	SW	BW							
8" x 6"	200 x 150	737	740	737	737	144	331	407.5	600	660	670	650

MANUAL GEAR OPERATION OR AUTOMATION						
DIMENSIONS [mm]						ISO 5211
V	L	D	G	N	T	
58	16	76.5	63	197	13	F20

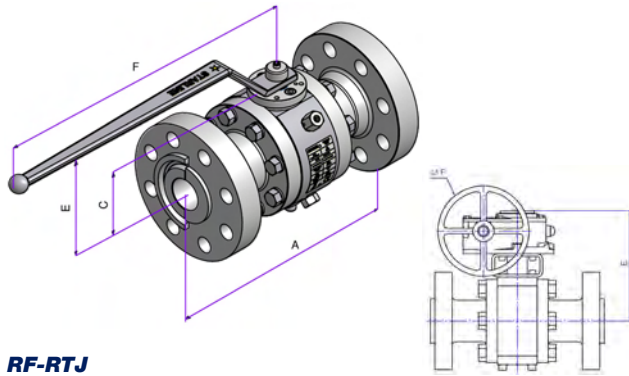
Gear Operated

Dimensions and weights are subject to change without notice.
Face to face dimensions not listed in industry standards are subject to change without notice.

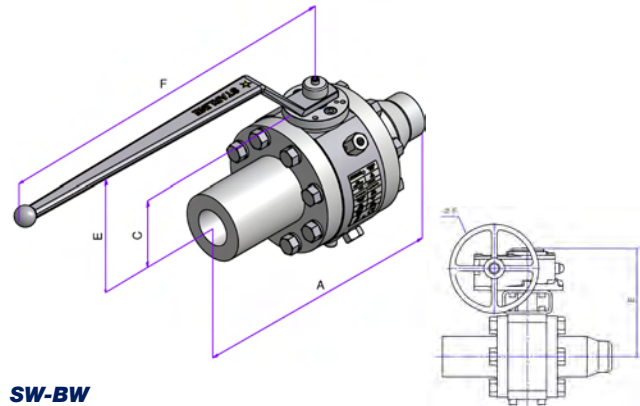


ITEM NO.	Q. TY	PART NAME	MATERIAL (LF2/F316)	MATERIAL (F316/F316)	SPECIAL
NP	1	Name Plate	Stainless Steel	Stainless Steel	
2a	*****	Top Cover Screw	ASTM A193 B8	ASTM A193 B8	
2b	*****	Trunnion Screw	ASTM A193 B8	ASTM A193 B8	
3a	1	Stem Fire Seal	Graphite	Graphite	
3b	1	Trunnion Fire Seal	Graphite	Graphite	
4	1	Lip Seal Stem	PTFE + Stainless Steel	PTFE + Stainless Steel	
4a	1	Back-Up Lip Seal Stem	PTFE	PTFE	
4b	1	Stem Lip Seal Ring	ASTM A276/479 F316	ASTM A276/479 F316	
5	1	Upper Stem	ASTM A276/479 F316	ASTM A276/479 F316	
6	1	Top Cover	ASTM A350 LF2	ASTM A276/479 F316	
7	1	Thrust Washer	Reinforced PTFE	Reinforced PTFE	
8a	1	Lip Seal Trunnion	PTFE + Stainless Steel	PTFE + Stainless Steel	
8b	1	Back-Up Lip Seal Trunnion	PTFE	PTFE	
8c	1	Trunnion Lip Seal Ring	ASTM A276/479 F316	ASTM A276/479 F316	
9	1	Ball	ASTM A276/479 F316	ASTM A276/479 F316	
10	2	Insert Seat	T-R-S LOW PRESSURE N-D-P-E HIGH PRESSURE	T-R-S LOW PRESSURE N-D-P-E HIGH PRESSURE	METAL SEATED
10a	2	Seat	ASTM A276/479 F316	ASTM A276/479 F316	
10b	2	Seat Ring	ASTM A276/479 F316	ASTM A276/479 F316	
11	2	Adaptor Fire Seal	Graphite	Graphite	
12	1	Body	ASTM A350 LF2	ASTM A276/479 F316	
13	2	Adaptor Flange	ASTM A350 LF2	ASTM A276/479 F316	
15 - 15a	2	Antistatic Spring	INCONEL X - 750	INCONEL X - 750	
16	*****	Adaptor Bolts	ASTM A320 L7M	ASTM A193 B8M	
30a - 30b - 30c	1+1+1	Bearing	ASTM A276/479 F316	ASTM A276/479 F316	
31	*****	Seat Spring	INCONEL X - 750	INCONEL X - 750	
32	1	Trunnion	ASTM A276/479 F316	ASTM A276/479 F316	
33	2	Seat Fire Seal	Graphite	Graphite	
34	2	Lip Seal Seat	PTFE + Stainless Steel	PTFE + Stainless Steel	
34a	2	Back-Up Lip Seal Seat	PTFE	PTFE	
35	2	Lip Seal Flange	PTFE + Stainless Steel	PTFE + Stainless Steel	
35a	2	Back-Up Lip Seal Flange	PTFE	PTFE	
36	1	Vent valve / bleeder	ASTM A276/479 F316	ASTM A276/479 F316	
37	1	Drain Plug	ASTM A276/479 F316	ASTM A276/479 F316	

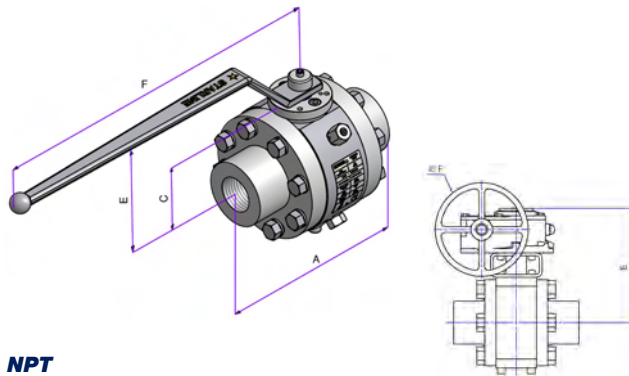
Recommended spare parts



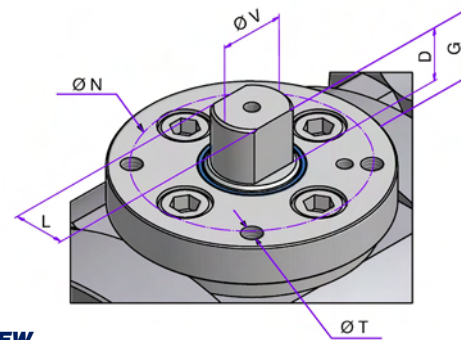
RF-RTJ



SW-BW



NPT



TOP VIEW

FULL BORE														
VALVE SIZE		DIMENSIONS [mm]								WEIGHT [Kg]				
INCH	mm	A				BORE	C	E	F	RF	RTJ	SW-BW	NPT/F	
		RF	RTJ	SW-BW	NPT/F									
1/2" x 1/2"	15 x 15	263	263	263	7	12.7	49	103	218	10	10	8	8	
3/4" x 3/4"	20 x 20	273	273	273	12	16	49	103	218	20	20	15	15	
1" x 1"	25 x 25	308	308	308	18	21	62	115	218	26	26	20	20	
1.1/2" x 1.1/2"	40 x 40	42	387	384	27	34	85	142	420	44	44	38	40	
2" x 2"	50 x 50	451	454	451	40	44.5	100	158	420	72	75	42	45	
3" x 3"	80 x 80	578	584	578	-	64	142	335	400	160	163	120	-	

MANUAL GEAR OPERATION OR AUTOMATION							
DIMENSIONS [mm]							ISO 5211
V	L	D	G	N	T		
15	9	7.5	8.5	50	M6	F05	
15	9	7.5	8.5	50	M6	F05	
15	9	9	10	50	M6	F05	
22	16	14.5	16	70	M8	F07	
24	18	19	22	70	M8	F07	
40	30	30	31	102	M10	F10	

REDUCED BORE														
VALVE SIZE		DIMENSIONS [mm]								WEIGHT [Kg]				
INCH	mm	A				BORE	C	E	F	RF	RTJ	SW-BW	NPT/F	
		RF	RTJ	SW-BW	NPT/F									
3/4" x 1/2"	20 x 15	273	273	273	7	12.7	49	103	218	12	12	8.5	8.5	
1" x 3/4"	25 x 20	308	308	308	12	16	49	103	218	25	25	20	20	
1.1/4" x 1"	32 x 25	349	352	349	18	21	62	116	218	32	33	25	25	
1.1/2" x 1"	40 x 25	384	387	384	18	21	62	116	218	35	37	28	28	
2" x 1.1/2"	50 x 40	451	454	451	38	34	85	142	420	52	55	40	42	
3" x 2"	80 x 50	578	584	578	-	44.5	100	158	420	100	103	45	-	
4" x 3"	100 x 80	673	682.5	673	-	64	142	335	400	215	220	135	-	

MANUAL GEAR OPERATION OR AUTOMATION							
DIMENSIONS [mm]							ISO 5211
V	L	D	G	N	T		
15	9	7.5	8.5	50	M6	F05	
15	9	7.5	8.5	50	M6	F05	
15	9	9	10	50	M6	F05	
15	9	9	10	50	M6	F05	
22	16	14.5	16	70	M8	F07	
24	18	15	22	70	M8	F07	
40	30	30	31	102	M10	F10	

Gear Operated

Dimensions and weights are subject to change without notice.
Face to face dimensions not listed in industry standards are subject to change without notice.