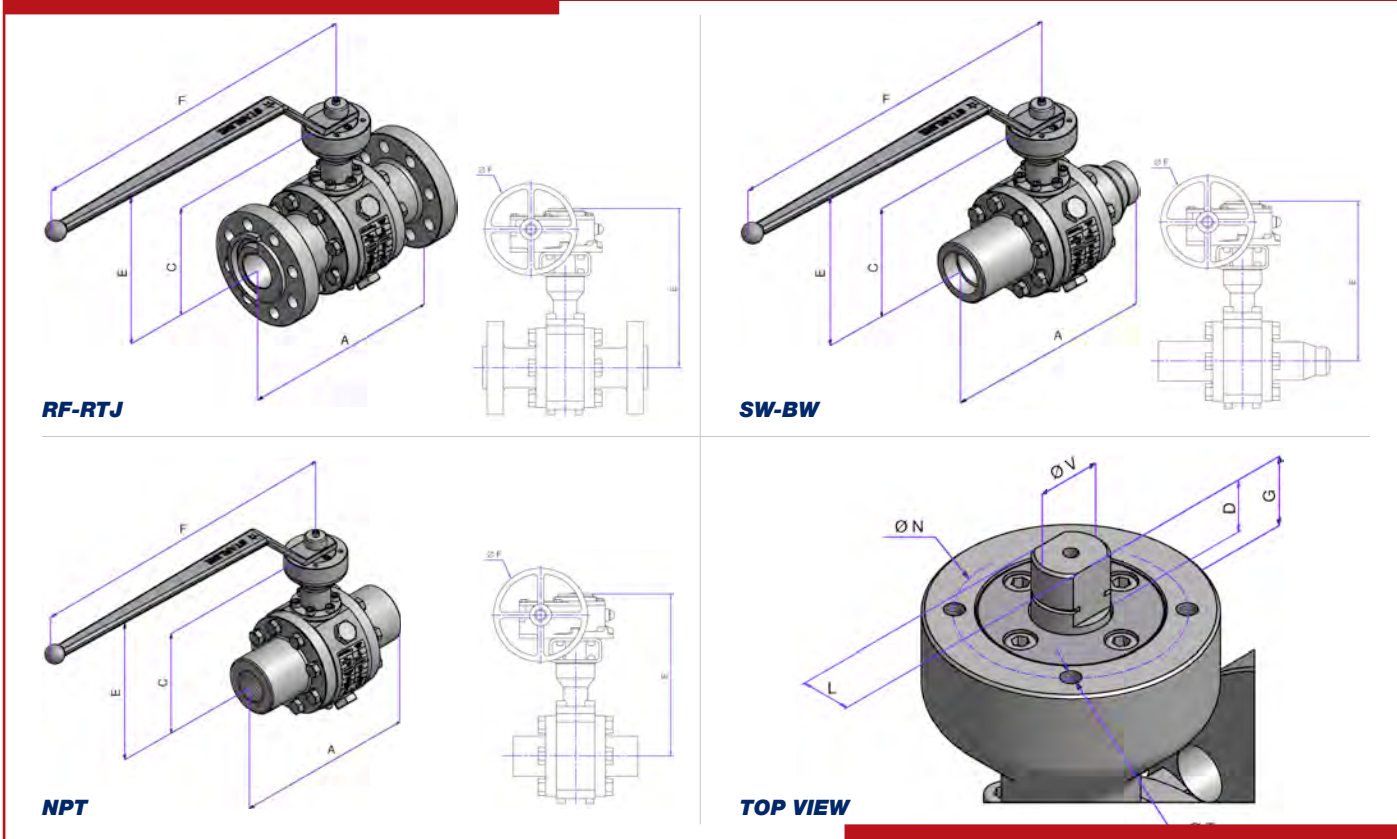


ITEM NO.	Q. TY	PART NAME	MATERIAL (LF2/F316)	MATERIAL (F316/F316)	SPECIAL
NP	1	Name Plate	Stainless Steel	Stainless Steel	
EX	1	Extension	ASTM A350 LF2	ASTM A276/479 F316	
2	*****	Top Cover Screw	ASTM A193 B8	ASTM A193 B8	
2a	*****	Extension Screw	ASTM A193 B8	ASTM A193 B8	
2b	*****	Trunnion Screw	ASTM A193 B8	ASTM A193 B8	
3a - 3b - 3c	1 + 1 + 1	Stem - Trunnion Bearing	ASTM A276/479 F316 + 75 µ	ASTM A276/479 F316 + 75 µ	
5	1	Upper Stem	ASTM A276/479 F316	ASTM A276/479 F316	
7	1	Thrust Washer	ASTM A276/479 F316 + 75 µ	ASTM A276/479 F316 + 75 µ	
7a	*****	Packing Ring	Graphite	Graphite	
8	1	Extension Top Cover	ASTM A350 LF2	ASTM A276/479 F316	
8a	1	Upper Gland Packing	ASTM A276/479 F316	ASTM A276/479 F316	
8b	1	Low Gland Packing	ASTM A276/479 F316	ASTM A276/479 F316	
9	1	Ball	ASTM A276/479 F316 HARDENED	ASTM A276/479 F316 HARDENED	
10	2	Seat	ASTM A276/479 F316 HARDENED	ASTM A276/479 F316 HARDENED	
10a	2	Seat Seal	ASTM A276/479 F316	ASTM A276/479 F316	
10b	*****	Seat Ring	Graphite	Graphite	
11	2	Adaptor Fire Seal	Graphite	Graphite	
12	1	Body	ASTM A350 LF2	ASTM A276/479 F316	
13	2	Adaptor Flange	ASTM A350 LF2	ASTM A276/479 F316	
15 - 15a	2	Antistatic Spring	INCONEL X -750	INCONEL X -750	
16	*****	Adaptor Bolts	ASTM A320 L7M	ASTM A193 B8M	
30a	1	Extension Seal	Graphite	Graphite	
30b	1	Trunnion Seal	Graphite	Graphite	
31	*****	Seat Spring	INCONEL X - 750	INCONEL X - 750	
32	1	Trunnion	ASTM A276/479 F316	ASTM A276/479 F316	
37	1	Drain / Vent Plug	ASTM A276/479 F316	ASTM A276/479 F316	
38	2	Drain / Vent Plug Seal	Graphite	Graphite	

Recommended spare parts



FULL BORE													
VALVE SIZE		DIMENSIONS [mm]								WEIGHT [Kg]			
INCH	mm	A				BORE	C	E	F	RF	RTJ	SW-BW	NPT/F
		RF	RTJ	SW-BW	NPT/F								
1/2" x 1/2"	15 x 15	-	-	165	130	12.7	133.5	189	172.5	-	-	5	5
3/4" x 3/4"	20 x 20	-	-	191	145	19	140	197	218	-	-	8	8
1" x 1"	25 x 25	-	-	216	170	25.4	150	207	218	-	-	11	11
1.1/2" x 1.1/2"	40 x 40	165	178	241	210	38	156	212.5	420	19	20	17.5	17.5
2" x 2"	50 x 50	178	190.5	292	230	51	171	228	420	26	30	27	27
3" x 3"	80 x 80	204	216	356	-	76	197	312	250	60	62	53	-
4" x 4"	100 x 100	230	241	432	-	102	282	470	400	113	118	118	-

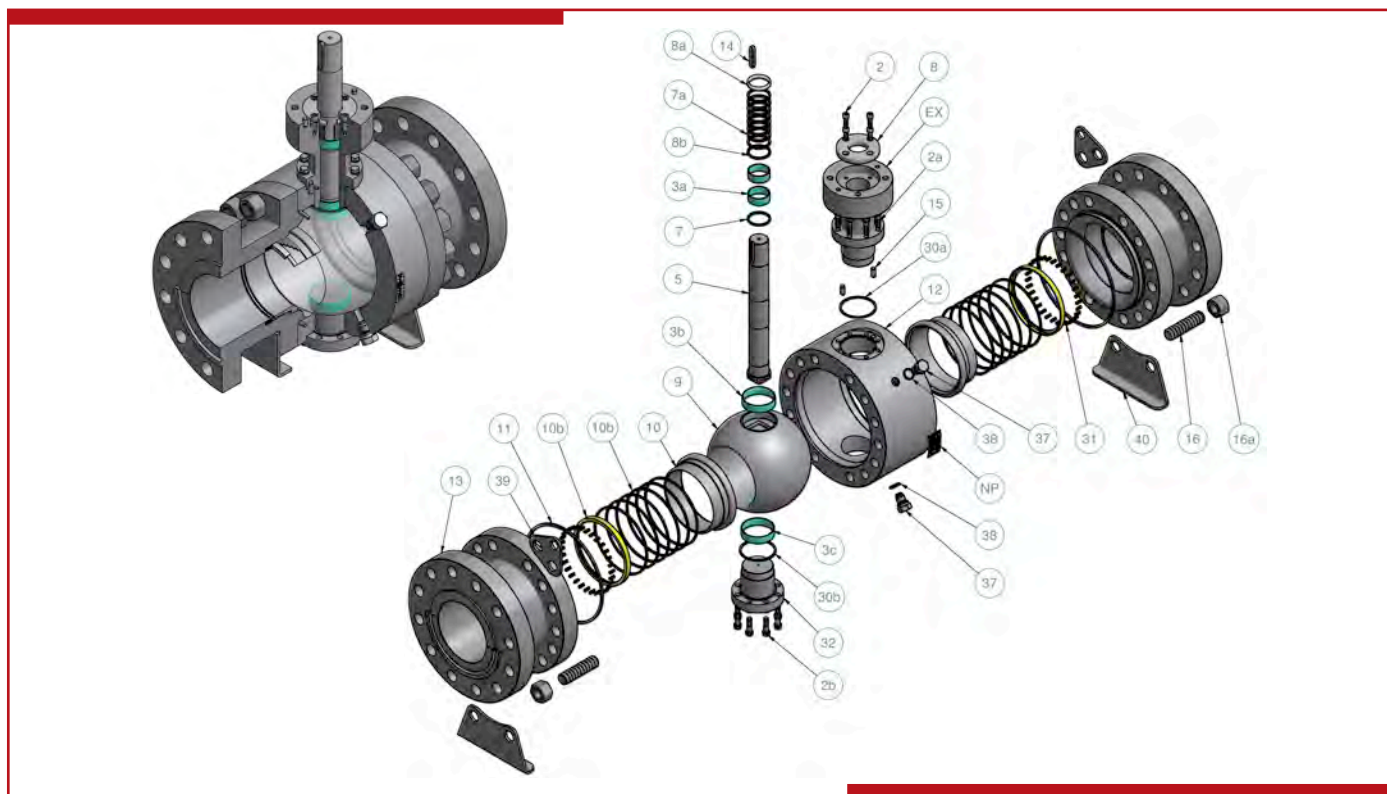
MANUAL GEAR OPERATION OR AUTOMATION							
DIMENSIONS [mm]							ISO 5211
V	L	D	G	N	T		
12	7.5	5	7.25	42	M5	F04	
15	9	7.5	11	50	M6	F05	
15	9	9	12.5	50	M6	F05	
24	18	19	20.5	70	M8	F07	
24	18	19	21	70	M8	F07	
24	18	19	20	70	M8	F07	
40	30	30	32	102	M10	F10	

REDUCED BORE													
VALVE SIZE		DIMENSIONS [mm]								WEIGHT [Kg]			
INCH	mm	A				BORE	C	E	F	RF	RTJ	SW-BW	NPT/F
		RF	RTJ	SW-BW	NPT/F								
3/4" x 1/2"	20 x 15	-	-	191	130	12.7	133.5	189	172.5	-	-	5.5	5.5
1" x 3/4"	25 x 20	-	-	216	145	19	140	197	218	-	-	8.5	8.5
1.1/4" x 1"	32 x 25	-	-	229	170	25.4	150	207	218	-	-	11.5	11.5
1.1/2" x 1"	40 x 25	-	-	241	170	25.4	150	207	218	-	-	11.5	11.5
2" x 1.1/2"	50 x 40	178	190.5	292	210	38	156	212.5	420	26	30	18.5	18.5
3" x 2"	80 x 50	203	216	356	-	51	171	228	420	60	62	60	-
4" x 3"	100 x 80	228.5	241	432	-	76	197	312	250	80	83	117	-
6" x 4"	150 x 100	394	406.5	559	-	102	282	470	400	123	126	120	-

MANUAL GEAR OPERATION OR AUTOMATION							
DIMENSIONS [mm]							ISO 5211
V	L	D	G	N	T		
12	7.5	5	7.25	42	M5	F04	
15	9	7.5	11	50	M6	F05	
15	9	9	12.5	50	M6	F05	
15	9	9	12.5	50	M6	F05	
24	18	19	20.5	70	M8	F07	
24	18	19	21	70	M8	F07	
24	18	19	20	70	M8	F07	
40	30	30	32	102	M10	F10	

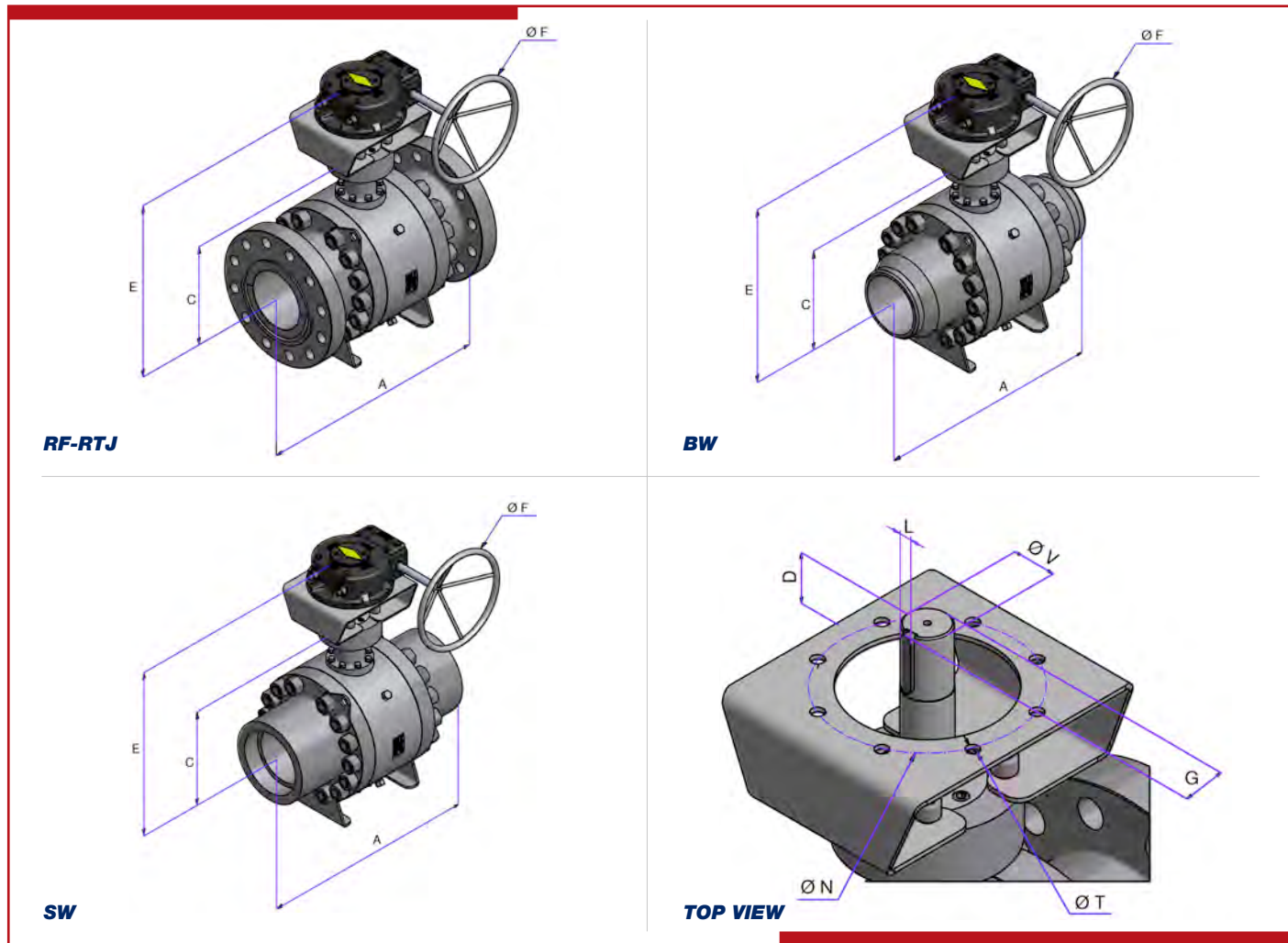
- Gear Operated
- Split Body Construction

Dimensions and weights are subject to change without notice.
Face to face dimensions not listed in industry standards are subject to change without notice.



ITEM NO.	Q.TY	PART NAME	MATERIAL (LF2/F316)	MATERIAL (F316/F316)	SPECIAL
NP	1	Name Plate	Stainless Steel	Stainless Steel	
EX	1	Extension	ASTM A350 LF2	ASTM A276/479 F316	
2	*****	Top Cover Screw	ASTM A193 B8	ASTM A193 B8	
2a	*****	Extension Screw	ASTM A193 B8	ASTM A193 B8	
2b	*****	Trunnion Screw	ASTM A193 B8	ASTM A193 B8	
3a – 3b – 3c	2 + 1 + 1	Stem – Trunnion Extension Bearing	ASTM A276/479 F316 + 75 µ	ASTM A276/479 F316 + 75 µ	
5	1	Upper Stem	ASTM A276/479 F316	ASTM A276/479 F316	
7	1	Thrust Washer	ASTM A276/479 F316 + 75 µ	ASTM A276/479 F316 + 75 µ	
7a	*****	Packing Ring	Graphite	Graphite	
8	1	Extension Top Cover	ASTM A350 LF2	ASTM A276/479 F316	
8a	1	Upper Gland Packing	ASTM A276/479 F316	ASTM A276/479 F316	
8b	1	Low Gland Packing	ASTM A276/479 F316	ASTM A276/479 F316	
9	1	Ball	ASTM A276/479 F316 HARDENED	ASTM A276/479 F316 HARDENED	
10	2	Seat	ASTM A276/479 F316 HARDENED	ASTM A276/479 F316 HARDENED	
10a	2	Seat Seal	ASTM A276/479 F316	ASTM A276/479 F316	
10b	*****	Seat Ring	Graphite	Graphite	
11	2	Adaptor Fire Seal	Graphite	Graphite	
12	1	Body	ASTM A350 LF2	ASTM A276/479 F316	
13	2	Adaptor Flange	ASTM A350 LF2	ASTM A276/479 F316	
14	1	Stem Key	Carbon Steel	Carbon Steel	
15	2	Antistatic Spring	INCONEL X -750	INCONEL X -750	
16	*****	Stud Bolts	ASTM A320 L7M	ASTM A193 B8M	
16a	*****	Nuts	ASTM A194 GR 4	ASTM A194 GR8 M	
30a	1	Extension Seal	Graphite	Graphite	
30b	1	Trunnion Seal	Graphite	Graphite	
31	*****	Seat Spring	INCONEL X - 750	INCONEL X - 750	
32	1	Trunnion	ASTM A276/479 F316	ASTM A276/479 F316	
37	2	Drain / Vent Plug	ASTM A276/479 F316	ASTM A276/479 F316	
38	2	Drain / Vent Plug Seal	Graphite	Graphite	
39	2	Lifting Lug	ASTM A350 LF2	ASTM A276/479 F316	
40	2	Foot	ASTM A350 LF2	ASTM A276/479 F316	

Recommended spare parts



FULL BORE												
VALVE SIZE		DIMENSIONS [mm]								WEIGHT [Kg]		
INCH	mm	A				BORE	C	E	F	RF	RTJ	SW-BW
		RF	RTJ	SW	BW							
6" x 6"	150 x 150	394	406.5	457	457	152	354	576	600	260	265	255
8" x 8"	200 x 200	457	470	521	521	201	383	663	800	300	310	295
10" x 10"	250 x 250	533	546	559	559	252	448	728	800	530	540	480

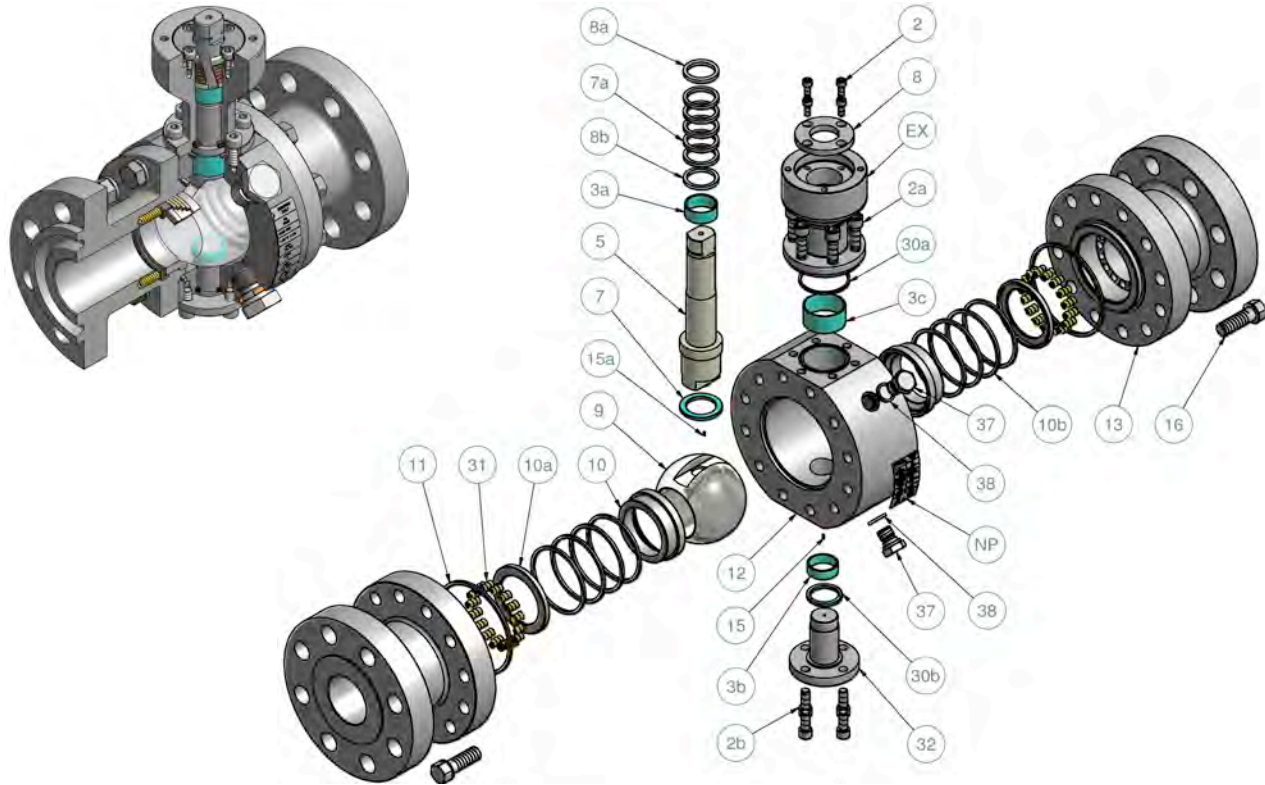
MANUAL GEAR OPERATION OR AUTOMATION						
DIMENSIONS [mm]						ISO 5211
V	L	D	G	N	T	
48	14	69	51.5	165	21	F16
48	14	69	51.5	165	21	F16
58	16	82	62	254	17	F25

REDUCED BORE												
VALVE SIZE		DIMENSIONS [mm]								WEIGHT [Kg]		
INCH	mm	A				BORE	C	E	F	RF	RTJ	SW-BW
		RF	RTJ	SW	BW							
8" x 6"	200 x 150	457	470	521	521	152	354	576	600	280	290	270
10" x 8"	250 x 200	533	546	559	559	201	383	663	800	320	330	310
12" x 10"	300 x 250	610	622	635	635	252	448	728	800	580	590	530

MANUAL GEAR OPERATION OR AUTOMATION						
DIMENSIONS [mm]						ISO 5211
V	L	D	G	N	T	
48	14	69	51.5	165	21	F16
48	14	69	51.5	165	21	F16
58	16	82	62	254	17	F25

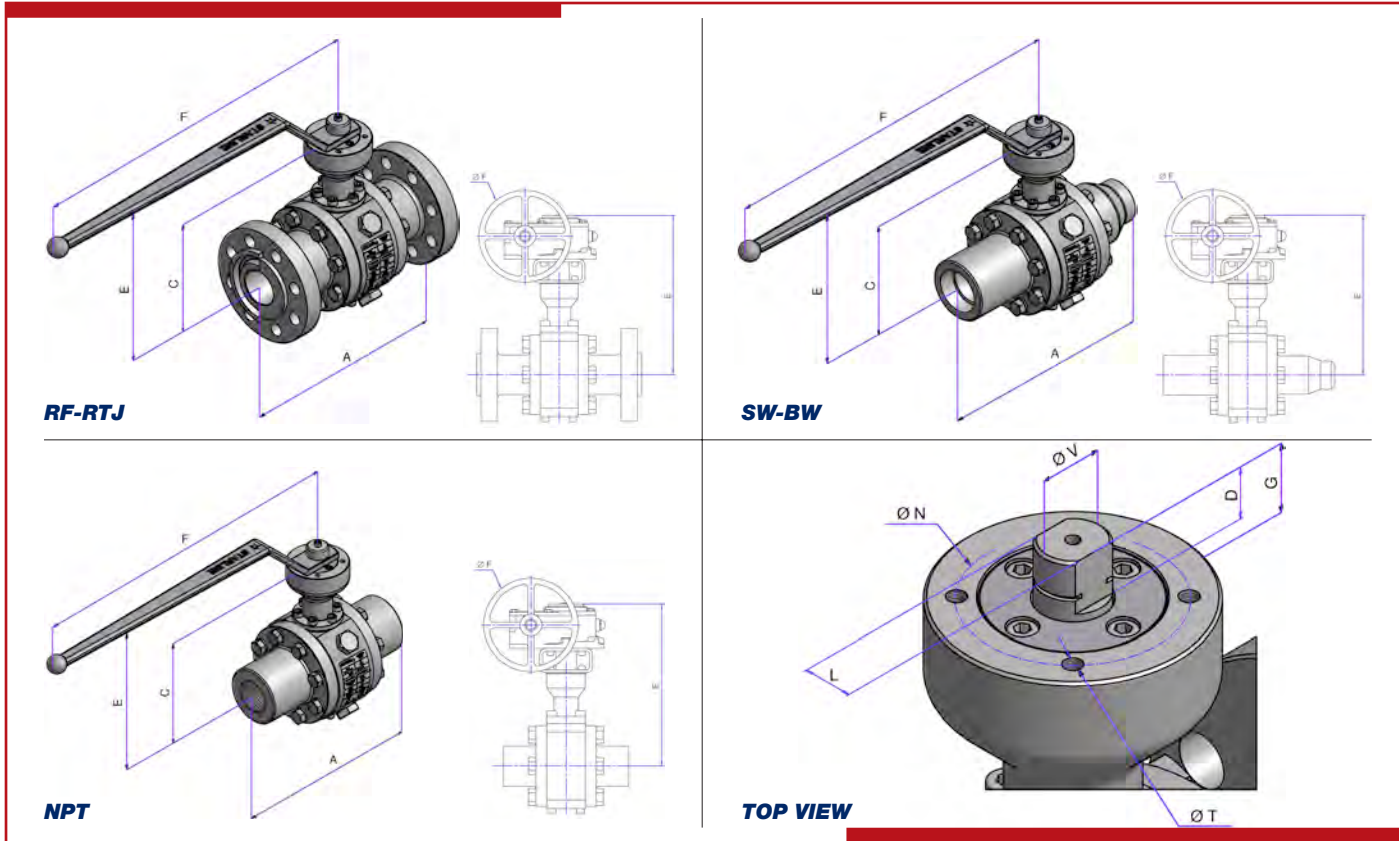
Gear Operated

Dimensions and weights are subject to change without notice.
Face to face dimensions not listed in industry standards are subject to change without notice.



ITEM NO.	Q. TY	PART NAME	MATERIAL (LF2/F316)	MATERIAL (F316/F316)	SPECIAL
NP	1	Name Plate	Stainless Steel	Stainless Steel	
EX	1	Extension	ASTM A350 LF2	ASTM A276/479 F316	
2	*****	Top Cover Screw	ASTM A193 B8	ASTM A193 B8	
2a	*****	Extension Screw	ASTM A193 B8	ASTM A193 B8	
2b	*****	Trunnion Screw	ASTM A193 B8	ASTM A193 B8	
3a - 3b - 3c	1 + 1 + 1	Stem - Trunnion Bearing	ASTM A276/479 F316 + 75 µ	ASTM A276/479 F316 + 75 µ	
5	1	Upper Stem	ASTM A276/479 F316	ASTM A276/479 F316	
7	1	Thrust Washer	ASTM A276/479 F316 + 75 µ	ASTM A276/479 F316 + 75 µ	
7a	*****	Packing Ring	Graphite	Graphite	
8	1	Extension Top Cover	ASTM A350 LF2	ASTM A276/479 F316	
8a	1	Upper Gland Packing	ASTM A276/479 F316	ASTM A276/479 F316	
8b	1	Low Gland Packing	ASTM A276/479 F316	ASTM A276/479 F316	
9	1	Ball	ASTM A276/479 F316 HARDENED	ASTM A276/479 F316 HARDENED	
10	2	Seat	ASTM A276/479 F316 HARDENED	ASTM A276/479 F316 HARDENED	
10a	2	Seat Seal	ASTM A276/479 F316	ASTM A276/479 F316	
10b	*****	Seat Ring	Graphite	Graphite	
11	2	Adaptor Fire Seal	Graphite	Graphite	
12	1	Body	ASTM A350 LF2	ASTM A276/479 F316	
13	2	Adaptor Flange	ASTM A350 LF2	ASTM A276/479 F316	
15 - 15a	2	Antistatic Spring	INCONEL X - 750	INCONEL X - 750	
16	*****	Adaptor Bolts	ASTM A320 L7M	ASTM A193 B8M	
30a	1	Extension Seal	Graphite	Graphite	
30b	1	Trunnion Seal	Graphite	Graphite	
31	*****	Seat Spring	INCONEL X - 750	INCONEL X - 750	
32	1	Trunnion	ASTM A276/479 F316	ASTM A276/479 F316	
37	1	Drain / Vent Plug	ASTM A276/479 F316	ASTM A276/479 F316	
38	2	Drain / Vent Plug Seal	Graphite	Graphite	

Recommended spare parts



FULL BORE													
VALVE SIZE		DIMENSIONS [mm]								WEIGHT [Kg]			
INCH	mm	A				BORE	C	E	F	RF	RTJ	SW-BW	NPT/F
		RF	RTJ	SW-BW	NPT/F								
1/2" x 1/2"	15 x 15	140	152	165	130	12.7	133.5	189	172.5	6	6.5	5	5
3/4" x 3/4"	20 x 20	152	165	191	145	19	140	197	218	8.5	9	8	8
1" x 1"	25 x 25	165	178	216	170	25.4	150	207	218	11	12	11	11
1.1/2" x 1.1/2"	40 x 40	191	203	241	210	38	156	212.5	420	20	21	17.5	17.5
2" x 2"	50 x 50	216	232	292	230	51	171	228	420	27	31	27	27
3" x 3"	80 x 80	283	298	356	-	76	197	312	250	62	65	53	-
4" x 4"	100 x 100	305	320.5	432	-	101.6	282	470	400	118	120	106	-

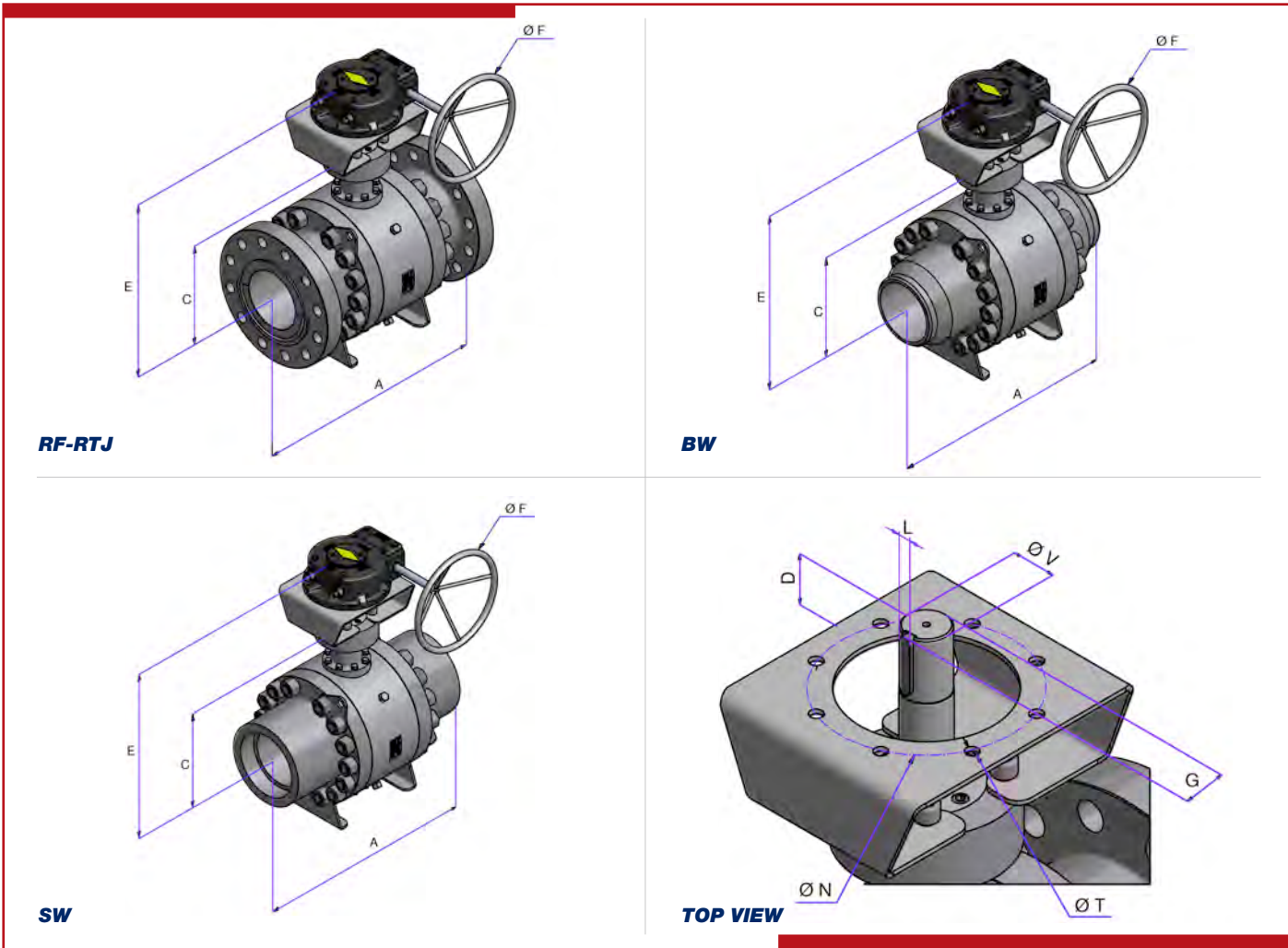
MANUAL GEAR OPERATION OR AUTOMATION						
DIMENSIONS [mm]						ISO 5211
V	L	D	G	N	T	
12	7.5	5	7.25	42	M5	F04
15	9	7.5	11	50	M6	F05
15	9	9	12.5	50	M6	F05
24	18	19	20.5	70	M8	F07
24	18	19	21	70	M8	F07
24	18	19	20	70	M8	F07
40	30	30	32	102	M10	F10

REDUCED BORE													
VALVE SIZE		DIMENSIONS [mm]								WEIGHT [Kg]			
INCH	mm	A				BORE	C	E	F	RF	RTJ	SW-BW	NPT/F
		RF	RTJ	SW-BW	NPT/F								
3/4" x 1/2"	20 x 15	152	165	191	130	12.7	133.5	189	172.5	7.5	8	5.5	5.5
1" x 3/4"	25 x 20	165	178	216	145	19	140	197	218	9	9.5	8.5	8.5
1.1/4" x 1"	32 x 25	178	191	229	170	25.4	150	207	218	13	14	11.5	11.5
1.1/2" x 1"	40 x 25	191	203	241	170	25.4	150	207	218	15	16	11.5	11.5
2" x 1.1/2"	50 x 40	216	232	292	210	38	156	212.5	420	26	27	18.5	18.5
3" x 2"	80 x 50	283	298	356	-	51	171	228	420	37	39	29	-
4" x 3"	100 x 80	305	320.5	432	-	76	197	312	250	80	87	60	-
6" x 4"	150 x 100	403	419	559	-	101.6	282	470	400	128	132	120	-

MANUAL GEAR OPERATION OR AUTOMATION						
DIMENSIONS [mm]						ISO 5211
V	L	D	G	N	T	
12	7.5	5	7.25	42	M5	F04
15	9	7.5	11	50	M6	F05
15	9	9	12.5	50	M6	F05
15	9	9	12.5	50	M6	F05
24	18	19	20.5	70	M8	F07
24	18	19	21	70	M8	F07
24	18	19	20	70	M8	F07
40	30	30	32	102	M10	F10

Gear Operated

Dimensions and weights are subject to change without notice.
Face to face dimensions not listed in industry standards are subject to change without notice.



FULL BORE												
VALVE SIZE		DIMENSIONS [mm]								WEIGHT [Kg]		
INCH	mm	A				BORE	C	E	F	RF	RTJ	SW-BW
		RF	RTJ	SW	BW							
6" x 6"	150 x 150	403	419	559	559	152	354	576	600	330	350	310
8" x 8"	200 x 200	503	517	520	520	201	383	663	800	312	330	300
10" x 10"	250 x 250	568	584	559	559	252	448	728	800	630	640	620

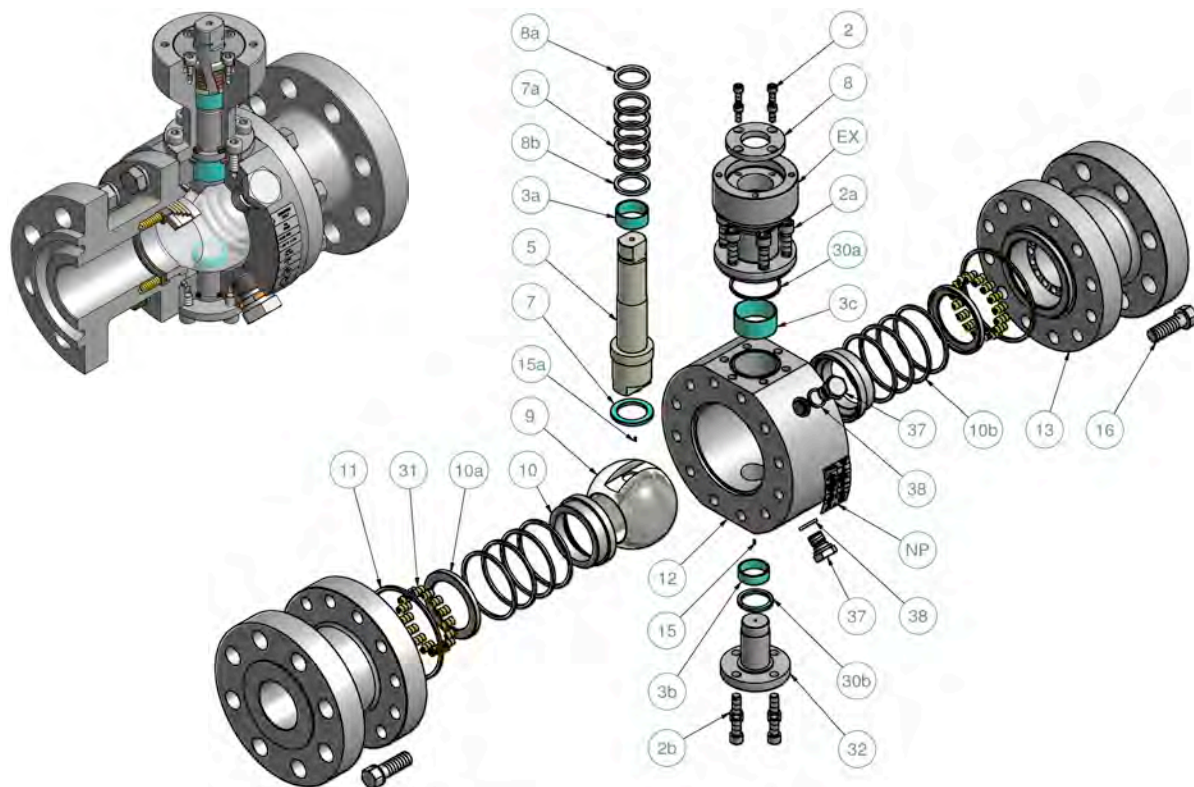
MANUAL GEAR OPERATION OR AUTOMATION							
DIMENSIONS [mm]							ISO 5211
V	L	D	G	N	T		
48	14	69	51.5	165	21	F16	
48	14	69	51.5	165	21	F16	
58	16	82	62	254	17	F25	

REDUCED BORE												
VALVE SIZE		DIMENSIONS [mm]								WEIGHT [Kg]		
INCH	mm	A				BORE	C	E	F	RF	RTJ	SW-BW
		RF	RTJ	SW	BW							
8" x 6"	200 x 150	503	517	520	520	152	354	576	600	350	370	330
10" x 8"	250 x 200	568	584	520	520	201	383	663	800	330	350	320
12" x 10"	300 x 250	684	664	635	635	252	448	728	800	660	670	560

MANUAL GEAR OPERATION OR AUTOMATION							
DIMENSIONS [mm]							ISO 5211
V	L	D	G	N	T		
48	14	69	51.5	165	21	F16	
48	14	69	51.5	165	21	F16	
58	16	82	62	254	17	F25	

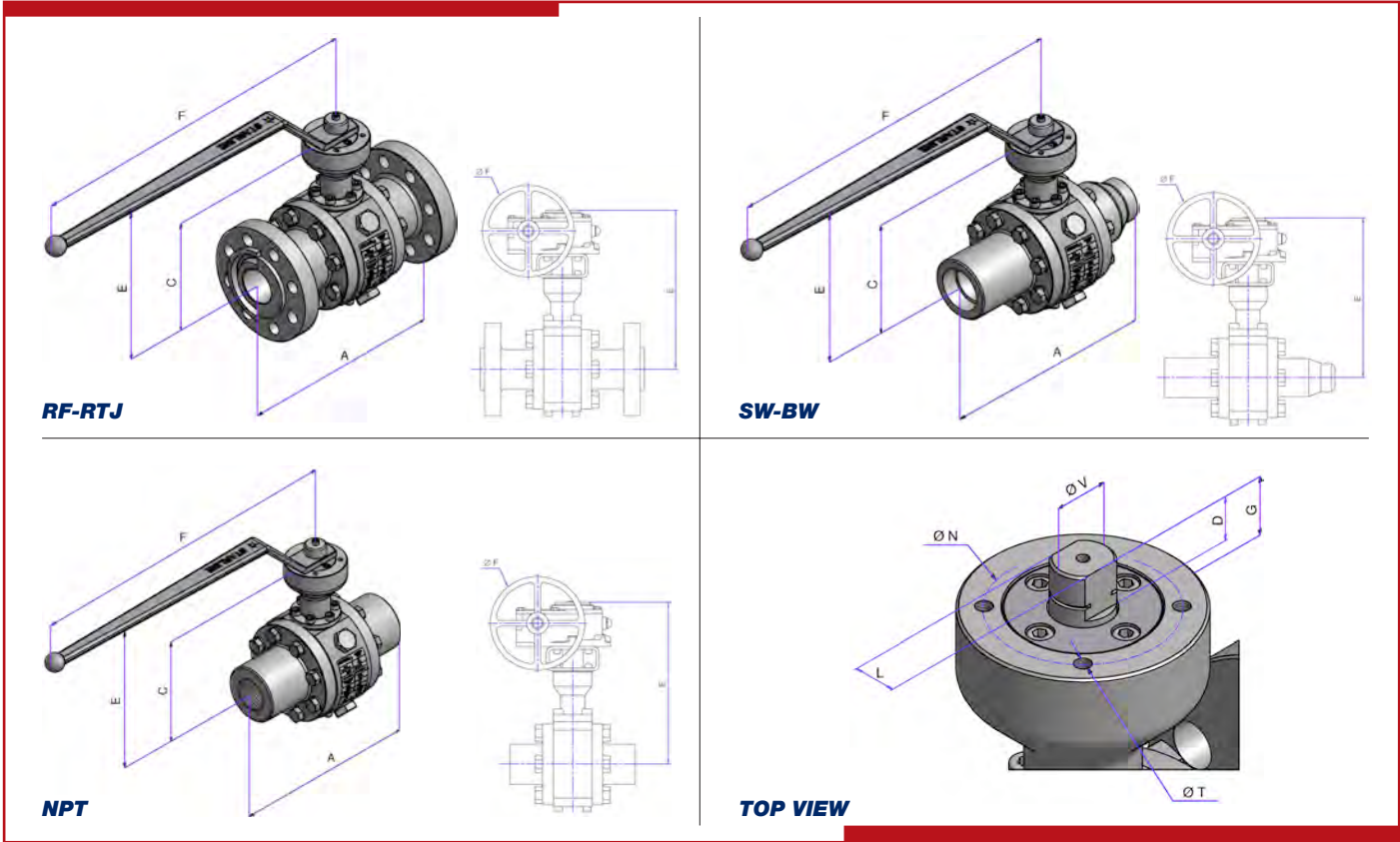
Gear Operated

Dimensions and weights are subject to change without notice.
Face to face dimensions not listed in industry standards are subject to change without notice.



ITEM NO.	Q.TY	PART NAME	MATERIAL (LF2/F316)	MATERIAL (F316/F316)	SPECIAL
NP	1	Name Plate	Stainless Steel	Stainless Steel	
EX	1	Extension	ASTM A350 LF2	ASTM A276/479 F316	
2	*****	Top Cover Screw	ASTM A193 B8	ASTM A193 B8	
2a	*****	Extension Screw	ASTM A193 B8	ASTM A193 B8	
2b	*****	Trunnion Screw	ASTM A193 B8	ASTM A193 B8	
3a - 3b - 3c	1 + 1 + 1	Stem - Trunnion Bearing	ASTM A276/479 F316 + 75 µ	ASTM A276/479 F316 + 75 µ	
5	1	Upper Stem	ASTM A276/479 F316	ASTM A276/479 F316	
7	1	Thrust Washer	ASTM A276/479 F316 + 75 µ	ASTM A276/479 F316 + 75 µ	
7a	*****	Packing Ring	Graphite	Graphite	
8	1	Extension Top Cover	ASTM A350 LF2	ASTM A276/479 F316	
8a	1	Upper Gland Packing	ASTM A276/479 F316	ASTM A276/479 F316	
8b	1	Low Gland Packing	ASTM A276/479 F316	ASTM A276/479 F316	
9	1	Ball	ASTM A276/479 F316 HARDENED	ASTM A276/479 F316 HARDENED	
10	2	Seat	ASTM A276/479 F316 HARDENED	ASTM A276/479 F316 HARDENED	
10a	2	Seat Seal	ASTM A276/479 F316	ASTM A276/479 F316	
10b	*****	Seat Ring	Graphite	Graphite	
11	2	Adaptor Fire Seal	Graphite	Graphite	
12	1	Body	ASTM A350 LF2	ASTM A276/479 F316	
13	2	Adaptor Flange	ASTM A350 LF2	ASTM A276/479 F316	
15 - 15a	2	Antistatic Spring	INCONEL X - 750	INCONEL X - 750	
16	*****	Adaptor Bolts	ASTM A320 L7M	ASTM A193 B8M	
30a	1	Extension Seal	Graphite	Graphite	
30b	1	Trunnion Seal	Graphite	Graphite	
31	*****	Seat Spring	INCONEL X - 750	INCONEL X - 750	
32	1	Trunnion	ASTM A276/479 F316	ASTM A276/479 F316	
37	1	Drain / Vent Plug	ASTM A276/479 F316	ASTM A276/479 F316	
38	2	Drain / Vent Plug Seal	Graphite	Graphite	

Recommended spare parts



FULL BORE														
VALVE SIZE		DIMENSIONS [mm]								WEIGHT [Kg]				
INCH	mm	A				BORE	C	E	F	RF	RTJ	SW-BW	NPT/F	
		RF	RTJ	SW-BW	NPT/F									
1/2" x 1/2"	15 x 15	165	163.5	165	130	12.7	133.5	189	172.5	6.5	6.5	5	5	
3/4" x 3/4"	20 x 20	191	191	191	145	19	140	197	218	9	9	8	8	
1" x 1"	25 x 25	216	216	216	170	25.4	150	207	218	12	12	11	11	
1.1/2" x 1.1/2"	40 x 40	241	241	241	210	38	156	212.5	420	21	21	17.5	17.5	
2" x 2"	50 x 50	292	295	292	230	51	171	228	420	31	32	27	27	
3" x 3"	80 x 80	356	359	356	-	76	197	312	250	58	59	53	-	
4" x 4"	100 x 100	432	435	432	-	101.6	282	470	400	128	130	118	-	

MANUAL GEAR OPERATION OR AUTOMATION						
DIMENSIONS [mm]						ISO 5211
V	L	D	G	N	T	
12	7.5	5	7.25	42	M5	F04
15	9	7.5	11	50	M6	F05
15	9	9	12.5	50	M6	F05
24	18	19	20.5	70	M8	F07
24	18	19	21	70	M8	F07
24	18	19	20	70	M8	F07
40	30	30	32	102	M10	F10

REDUCED BORE														
VALVE SIZE		DIMENSIONS [mm]								WEIGHT [Kg]				
INCH	mm	A				BORE	C	E	F	RF	RTJ	SW-BW	NPT/F	
		RF	RTJ	SW-BW	NPT/F									
3/4" x 1/2"	20 x 15	191	191	191	130	12.7	133.5	189	172.5	7.5	7.5	5.5	5.5	
1" x 3/4"	25 x 20	216	216	216	145	19	140	197	218	10	10	8.5	8.5	
1.1/4" x 1"	32 x 25	229	229	229	170	25.4	150	207	218	14	14	11.5	11.5	
1.1/2" x 1"	40 x 25	241	241	241	170	25.4	150	207	218	17	17	11.5	11.5	
2" x 1.1/2"	50 x 40	292	295	292	210	38	156	212.5	420	30	31	17.5	17.5	
3" x 2"	80 x 50	356	359	356	-	51	171	228	420	40	41	29	-	
4" x 3"	100 x 80	436	435	432	-	76	197	312	250	70	72	60	-	
6" x 4"	150 x 100	559	562	559	-	101.6	282	470	400	168	173	120	-	

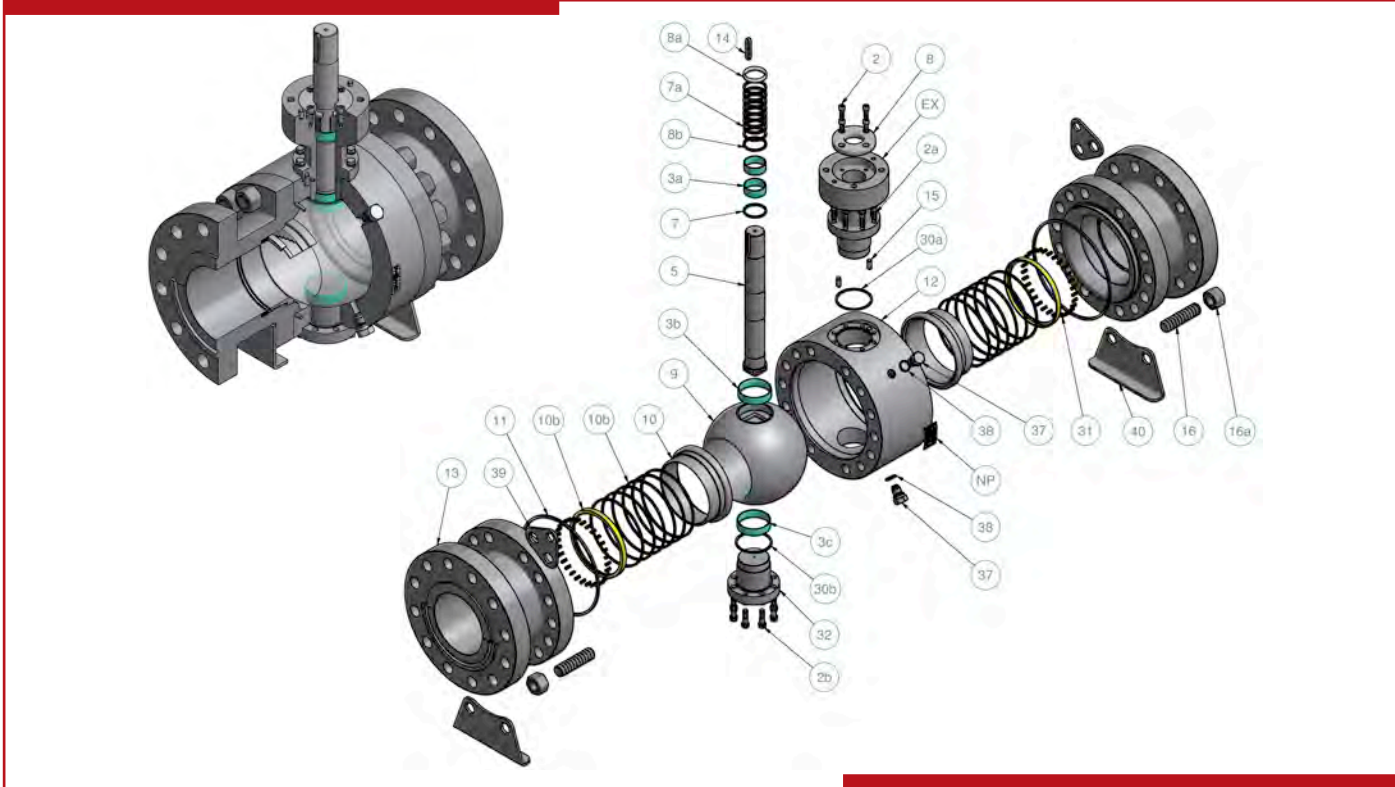
MANUAL GEAR OPERATION OR AUTOMATION						
DIMENSIONS [mm]						ISO 5211
V	L	D	G	N	T	
12	7.5	5	7.25	42	M5	F04
15	9	7.5	11	50	M6	F05
15	9	9	12.5	50	M6	F05
15	9	9	12.5	50	M6	F05
24	18	19	20.5	70	M8	F07
24	18	19	21	70	M8	F07
24	18	19	20	70	M8	F07
40	30	30	32	102	M10	F10

Gear Operated

Dimensions and weights are subject to change without notice.
Face to face dimensions not listed in industry standards are subject to change without notice.

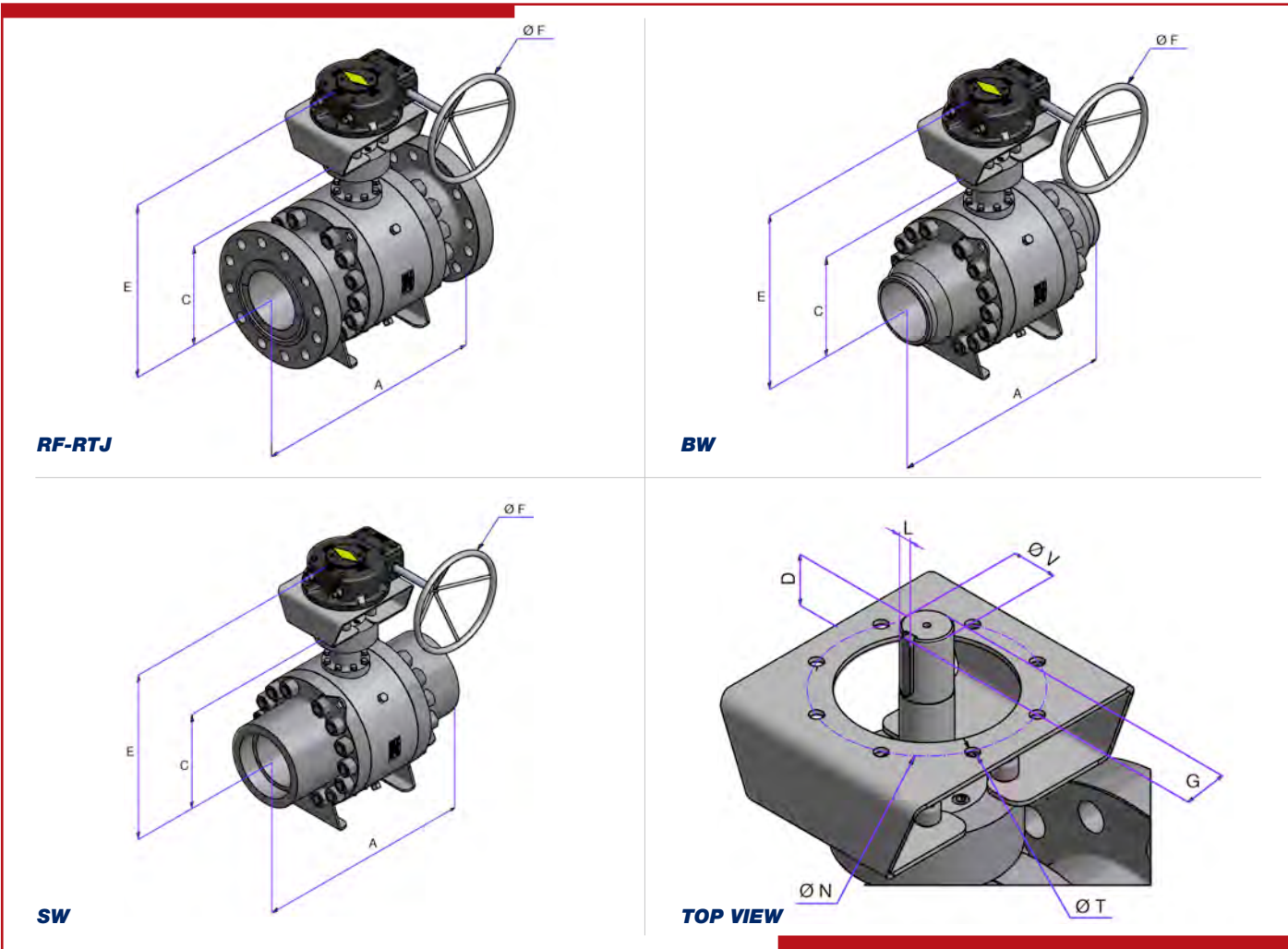
TRUNNION MOUNTED METAL SEATED HT

DN150 ÷ 250 F.B. DN200 ÷ 300 R.B. CLASS 600



ITEM NO.	Q.TY	PART NAME	MATERIAL (LF2/F316)	MATERIAL (F316/F316)	SPECIAL
NP	1	Name Plate	Stainless Steel	Stainless Steel	
EX	1	Extension	ASTM A350 LF2	ASTM A276/479 F316	
2	*****	Top Cover Screw	ASTM A193 B8	ASTM A193 B8	
2a	*****	Extension Screw	ASTM A193 B8	ASTM A193 B8	
2b	*****	Trunnion Screw	ASTM A193 B8	ASTM A193 B8	
3a - 3b - 3c	2 + 1 + 1	Stem - Trunnion Extension Bearing	ASTM A276/479 F316 + 75 µ	ASTM A276/479 F316 + 75 µ	
5	1	Upper Stem	ASTM A276/479 F316	ASTM A276/479 F316	
7	1	Thrust Washer	ASTM A276/479 F316 + 75 µ	ASTM A276/479 F316 + 75 µ	
7a	*****	Packing Ring	Graphite	Graphite	
8	1	Extension Top Cover	ASTM A350 LF2	ASTM A276/479 F316	
8a	1	Upper Gland Packing	ASTM A276/479 F316	ASTM A276/479 F316	
8b	1	Low Gland Packing	ASTM A276/479 F316	ASTM A276/479 F316	
9	1	Ball	ASTM A276/479 F316 HARDENED	ASTM A276/479 F316 HARDENED	
10	2	Seat	ASTM A276/479 F316 HARDENED	ASTM A276/479 F316 HARDENED	
10a	2	Seat Seal	ASTM A276/479 F316	ASTM A276/479 F316	
10b	*****	Seat Ring	Graphite	Graphite	
11	2	Adaptor Fire Seal	Graphite	Graphite	
12	1	Body	ASTM A350 LF2	ASTM A276/479 F316	
13	2	Adaptor Flange	ASTM A350 LF2	ASTM A276/479 F316	
14	1	Stem Key	Carbon Steel	Carbon Steel	
15	2	Antistatic Spring	INCONEL X - 750	INCONEL X - 750	
16	*****	Stud Bolts	ASTM A320 L7M	ASTM A193 B8M	
16a	*****	Nuts	ASTM A194 GR 4	ASTM A194 GR 8 M	
30a	1	Extension Seal	Graphite	Graphite	
30b	1	Trunnion Seal	Graphite	Graphite	
31	*****	Seat Spring	INCONEL X - 750	INCONEL X - 750	
32	1	Trunnion	ASTM A276/479 F316	ASTM A276/479 F316	
37	2	Drain / Vent Plug	ASTM A276/479 F316	ASTM A276/479 F316	
38	2	Drain / Vent Plug Seal	Graphite	Graphite	
39	2	Lifting Lug	ASTM A350 LF2	ASTM A276/479 F316	
40	2	Foot	ASTM A350 LF2	ASTM A276/479 F316	

Recommended spare parts



FULL BORE												
VALVE SIZE		DIMENSIONS [mm]								WEIGHT [Kg]		
INCH	mm	A				BORE	C	E	F	RF	RTJ	SW-BW
		RF	RTJ	SW	BW							
6" x 6"	150 x 150	559	562	559	559	152	354	598	800	285	293	260
8" x 8"	200 x 200	660.5	664	660	660	201	397	713	800	492	505	485
10" x 10"	250 x 250	788	791	787	787	252	490	806	800	745	755	720

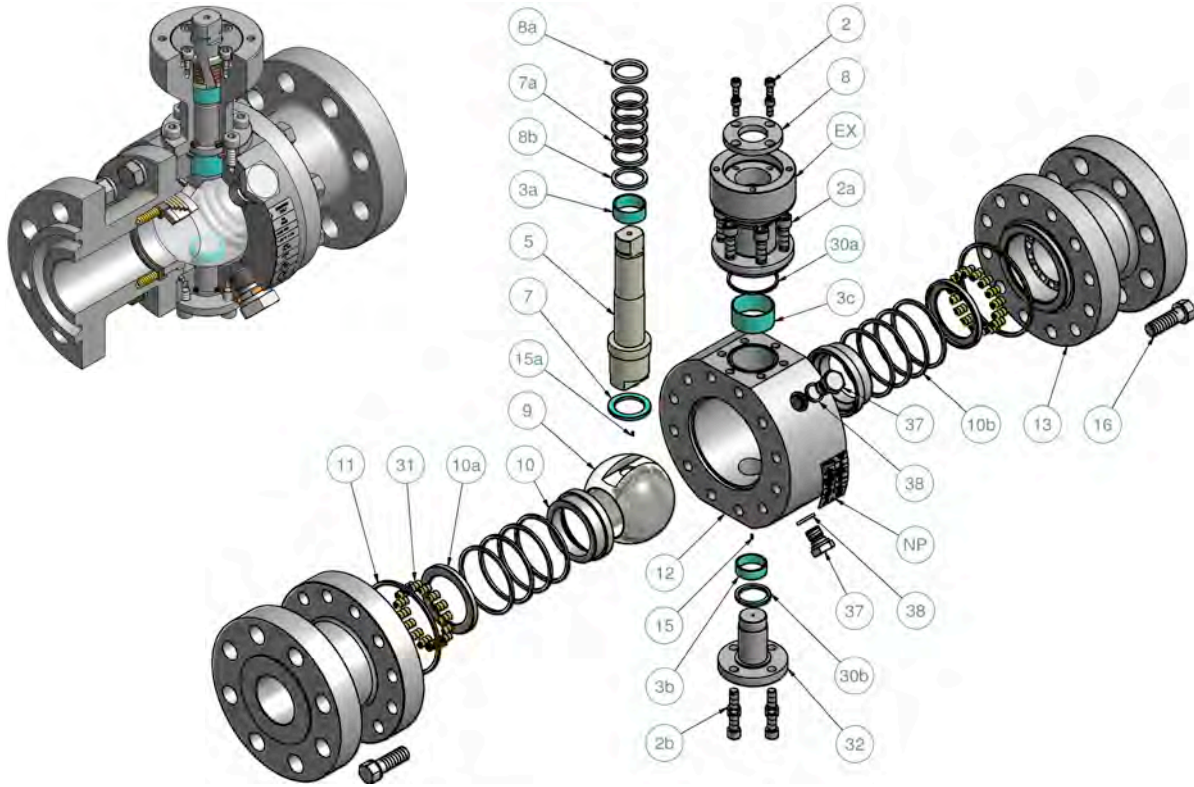
MANUAL GEAR OPERATION OR AUTOMATION							
DIMENSIONS [mm]							ISO 5211
V	L	D	G	N	T		
48	14	69	51.5	254	17	F25	
48	14	69	51.5	298	21	F30	
58	16	82	62	298	21	F30	

REDUCED BORE												
VALVE SIZE		DIMENSIONS [mm]								WEIGHT [Kg]		
INCH	mm	A				BORE	C	E	F	RF	RTJ	SW-BW
		RF	RTJ	SW	BW							
8" x 6"	200 x 150	660.5	664	660	660	152	354	598	800	317	325	280
10" x 8"	250 x 200	788	791	787	787	201	397	713	800	558	571	505
12" x 10"	300 x 250	838	841	838	838	252	490	806	800	780	790	750

MANUAL GEAR OPERATION OR AUTOMATION							
DIMENSIONS [mm]							ISO 5211
V	L	D	G	N	T		
48	14	69	51.5	254	17	F25	
48	14	69	51.5	298	21	F30	
58	16	82	62	298	21	F30	

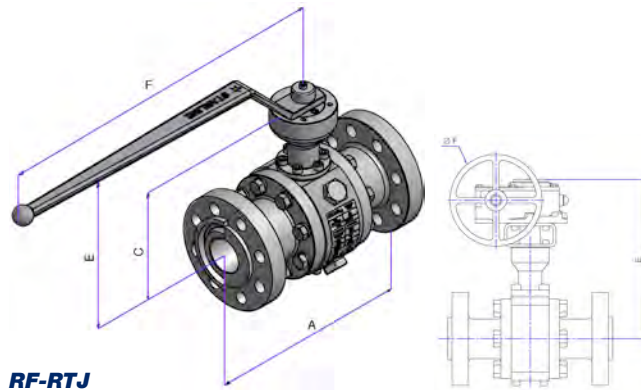
Gear Operated

Dimensions and weights are subject to change without notice.
Face to face dimensions not listed in industry standards are subject to change without notice.

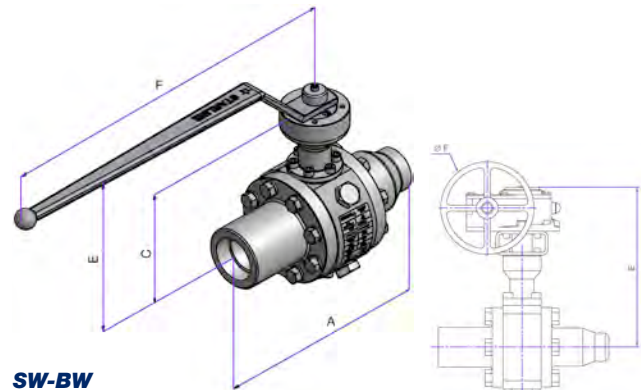


ITEM NO.	Q. TY	PART NAME	MATERIAL (LF2/F316)	MATERIAL (F316/F316)	SPECIAL
NP	1	Name Plate	Stainless Steel	Stainless Steel	
EX	1	Extension	ASTM A350 LF2	ASTM A276/479 F316	
2	*****	Top Cover Screw	ASTM A193 B8	ASTM A193 B8	
2a	*****	Extension Screw	ASTM A193 B8	ASTM A193 B8	
2b	*****	Trunnion Screw	ASTM A193 B8	ASTM A193 B8	
3a - 3b - 3c	1 + 1 + 1	Stem - Trunnion Bearing	ASTM A276/479 F316 + 75 µ	ASTM A276/479 F316 + 75 µ	
5	1	Upper Stem	ASTM A276/479 F316	ASTM A276/479 F316	
7	1	Thrust Washer	ASTM A276/479 F316 + 75 µ	ASTM A276/479 F316 + 75 µ	
7a	*****	Packing Ring	Graphite	Graphite	
8	1	Extension Top Cover	ASTM A350 LF2	ASTM A276/479 F316	
8a	1	Upper Gland Packing	ASTM A276/479 F316	ASTM A276/479 F316	
8b	1	Low Gland Packing	ASTM A276/479 F316	ASTM A276/479 F316	
9	1	Ball	ASTM A276/479 F316 HARDENED	ASTM A276/479 F316 HARDENED	
10	2	Seat	ASTM A276/479 F316 HARDENED	ASTM A276/479 F316 HARDENED	
10a	2	Seat Seal	ASTM A276/479 F316	ASTM A276/479 F316	
10b	*****	Seat Ring	Graphite	Graphite	
11	2	Adaptor Fire Seal	Graphite	Graphite	
12	1	Body	ASTM A350 LF2	ASTM A276/479 F316	
13	2	Adaptor Flange	ASTM A350 LF2	ASTM A276/479 F316	
15 - 15a	2	Antistatic Spring	INCONEL X -750	INCONEL X -750	
16	*****	Adaptor Bolts	ASTM A320 L7M	ASTM A193 B8M	
30a	1	Extension Seal	Graphite	Graphite	
30b	1	Trunnion Seal	Graphite	Graphite	
31	*****	Seat Spring	INCONEL X - 750	INCONEL X - 750	
32	1	Trunnion	ASTM A276/479 F316	ASTM A276/479 F316	
37	1	Drain / Vent Plug	ASTM A276/479 F316	ASTM A276/479 F316	
38	2	Drain / Vent Plug Seal	Graphite	Graphite	

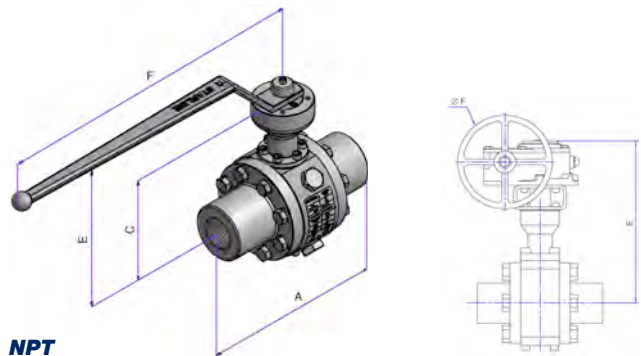
Recommended spare parts



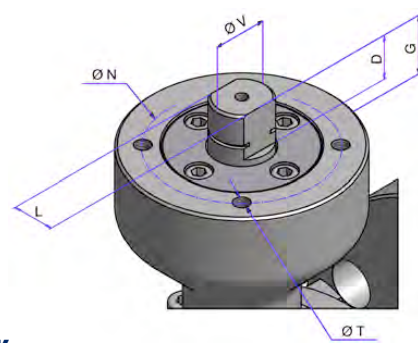
RF-RTJ



SW-BW



NPT



TOP VIEW

FULL BORE													
VALVE SIZE		DIMENSIONS [mm]								WEIGHT [Kg]			
INCH	mm	A				BORE	C	E	F	RF	RTJ	SW-BW	NPT/F
		RF	RTJ	SW-BW	NPT/F								
1/2" x 1/2"	15 x 15	216	216	216	130	12.7	133.5	189	172.5	7	7	5.5	5.5
3/4" x 3/4"	20 x 20	229	229	229	145	19	140	197	218	13	13	11.5	11.5
1" x 1"	25 x 25	254	254	254	170	25.4	150	207	218	20	20	17	17
1.1/2" x 1.1/2"	40 x 40	305	305	305	220	38	171	227.5	420	39	39	35	35
2" x 2"	50 x 50	368	371	368	240	51	180	295	250	55	55	50	50
3" x 3"	80 x 80	381	384	381	-	76	270	458	400	90	91	55	-
4" x 4"	100 x 100	457	460	457	-	101.6	305	493	400	178	183	158	-

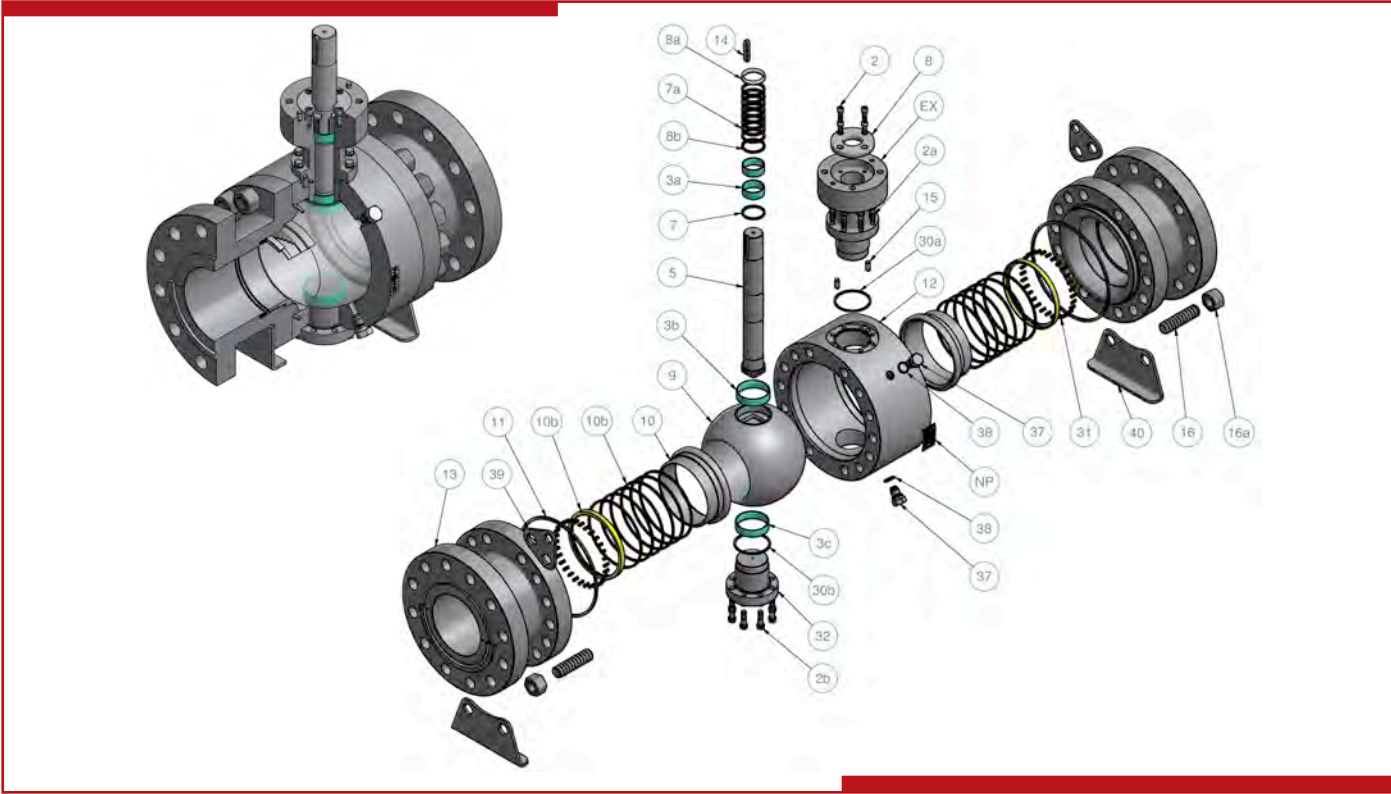
MANUAL GEAR OPERATION OR AUTOMATION							
DIMENSIONS [mm]							ISO 5211
V	L	D	G	N	T		
12	7.5	5	7.25	42	M5	F04	
15	9	7.5	11	50	M6	F05	
15	9	9	12.5	50	M6	F05	
24	18	19	20.5	70	M8	F07	
24	18	19	21	70	M8	F07	
40	30	30	33	102	M10	F10	
55	36	40	44	125	M12	F12	

REDUCED BORE													
VALVE SIZE		DIMENSIONS [mm]								WEIGHT [Kg]			
INCH	mm	A				BORE	C	E	F	RF	RTJ	SW-BW	NPT/F
		RF	RTJ	SW-BW	NPT/F								
3/4" x 1/2"	20 x 15	229	229	229	130	12.7	133.5	189	172.5	8.5	8.5	6	6
1" x 3/4"	25 x 20	254	254	254	145	19	140	197	218	15	15	13	13
1.1/4" x 1"	32 x 25	280	280	280	170	25.4	150	207	218	24	24	18	18
1.1/2" x 1"	40 x 25	305	305	305	170	25.4	150	207	218	26	26	19	19
2" x 1.1/2"	50 x 40	368	371	368	220	38	171	227.5	420	45	46	38	38
3" x 2"	80 x 50	381	384	384	-	51	180	295	250	60	61	55	-
4" x 3"	100 x 80	457	460	457	-	76	270	458	400	115	120	65	-
6" x 4"	150 x 100	609.5	612.5	609.5	-	101.6	305	493	400	213	218	153	-

MANUAL GEAR OPERATION OR AUTOMATION							
DIMENSIONS [mm]							ISO 5211
V	L	D	G	N	T		
12	7.5	5	7.25	42	M5	F04	
15	9	7.5	11	50	M6	F05	
15	9	9	12.5	50	M6	F05	
15	9	9	12.5	50	M6	F05	
24	18	19	20.5	70	M8	F07	
24	18	19	21	70	M8	F07	
40	30	30	33	102	M10	F10	
55	36	40	44	125	M12	F12	

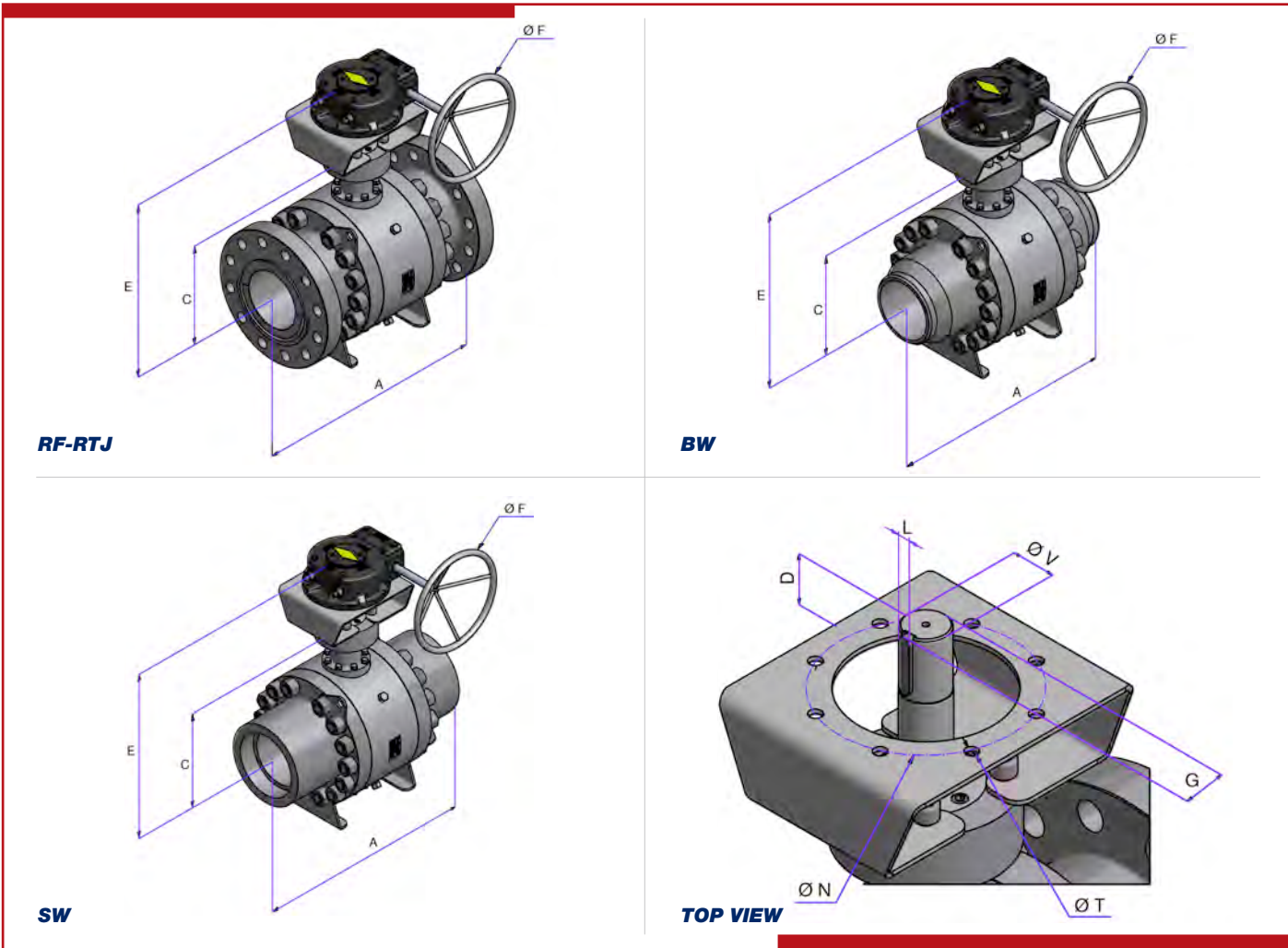
Gear Operated

Dimensions and weights are subject to change without notice.
Face to face dimensions not listed in industry standards are subject to change without notice.



ITEM NO.	Q. TY	PART NAME	MATERIAL (LF2/F316)	MATERIAL (F316/F316)	SPECIAL
NP	1	Name Plate	Stainless Steel	Stainless Steel	
EX	1	Extension	ASTM A350 LF2	ASTM A276/479 F316	
2	*****	Top Cover Screw	ASTM A193 B8	ASTM A193 B8	
2a	*****	Extension Screw	ASTM A193 B8	ASTM A193 B8	
2b	*****	Trunnion Screw	ASTM A193 B8	ASTM A193 B8	
3a - 3b - 3c	2 + 1 + 1	Stem - Trunnion Extension Bearing	ASTM A276/479 F316 + 75 μ	ASTM A276/479 F316 + 75 μ	
5	1	Upper Stem	ASTM A276/479 F316	ASTM A276/479 F316	
7	1	Thrust Washer	ASTM A276/479 F316 + 75 μ	ASTM A276/479 F316 + 75 μ	
7a	*****	Packing Ring	Graphite	Graphite	
8	1	Extension Top Cover	ASTM A350 LF2	ASTM A276/479 F316	
8a	1	Upper Gland Packing	ASTM A276/479 F316	ASTM A276/479 F316	
8b	1	Low Gland Packing	ASTM A276/479 F316	ASTM A276/479 F316	
9	1	Ball	ASTM A276/479 F316 HARDENED	ASTM A276/479 F316 HARDENED	
10	2	Seat	ASTM A276/479 F316 HARDENED	ASTM A276/479 F316 HARDENED	
10a	2	Seat Seal	ASTM A276/479 F316	ASTM A276/479 F316	
10b	*****	Seat Ring	Graphite	Graphite	
11	2	Adaptor Fire Seal	Graphite	Graphite	
12	1	Body	ASTM A350 LF2	ASTM A276/479 F316	
13	2	Adaptor Flange	ASTM A350 LF2	ASTM A276/479 F316	
14	1	Stem Key	Carbon Steel	Carbon Steel	
15	2	Antistatic Spring	INCONEL X - 750	INCONEL X - 750	
16	*****	Stud Bolts	ASTM A320 L7M	ASTM A193 B8M	
16a	*****	Nuts	ASTM A194 GR 4	ASTM A194 GR8 M	
30a	1	Extension Seal	Graphite	Graphite	
30b	1	Trunnion Seal	Graphite	Graphite	
31	*****	Seat Spring	INCONEL X - 750	INCONEL X - 750	
32	1	Trunnion	ASTM A276/479 F316	ASTM A276/479 F316	
37	2	Drain / Vent Plug	ASTM A276/479 F316	ASTM A276/479 F316	
38	2	Drain / Vent Plug Seal	Graphite	Graphite	
39	2	Lifting Lug	ASTM A350 LF2	ASTM A276/479 F316	
40	2	Foot	ASTM A350 LF2	ASTM A276/479 F316	

Recommended spare parts



FULL BORE												
VALVE SIZE		DIMENSIONS [mm]								WEIGHT [Kg]		
INCH	mm	A				BORE	C	E	F	RF	RTJ	SW-BW
		RF	RTJ	SW	BW							
6" x 6"	150 x 150	609.5	612.5	609.5	609.5	150	372	616	800	373	380	370
8" x 8"	200 x 200	737	740	737	737	201	412	728	800	640	650	635

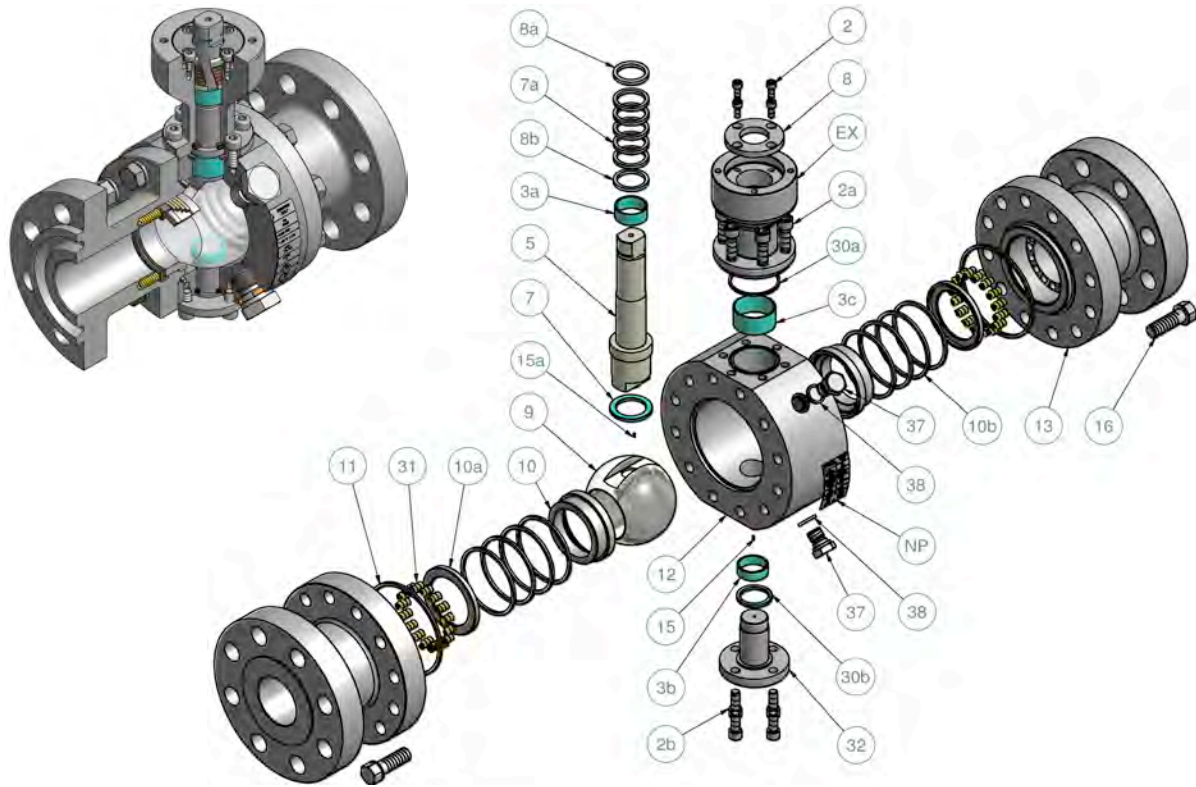
MANUAL GEAR OPERATION OR AUTOMATION						
DIMENSIONS [mm]						ISO 5211
V	L	D	G	N	T	
48	14	69	51.5	254	17	F25
58	16	82	62	298	21	F30

REDUCED BORE												
VALVE SIZE		DIMENSIONS [mm]								WEIGHT [Kg]		
INCH	mm	A				BORE	C	E	F	RF	RTJ	SW-BW
		RF	RTJ	SW	BW							
8" x 6"	200 x 150	737	740	737	737	150	372	616	800	455	460	450
10" x 8"	250 x 200	838	941	838	838	201	412	728	800	700	710	680

MANUAL GEAR OPERATION OR AUTOMATION						
DIMENSIONS [mm]						ISO 5211
V	L	D	G	N	T	
48	14	69	51.5	254	17	F25
58	16	82	62	298	21	F30

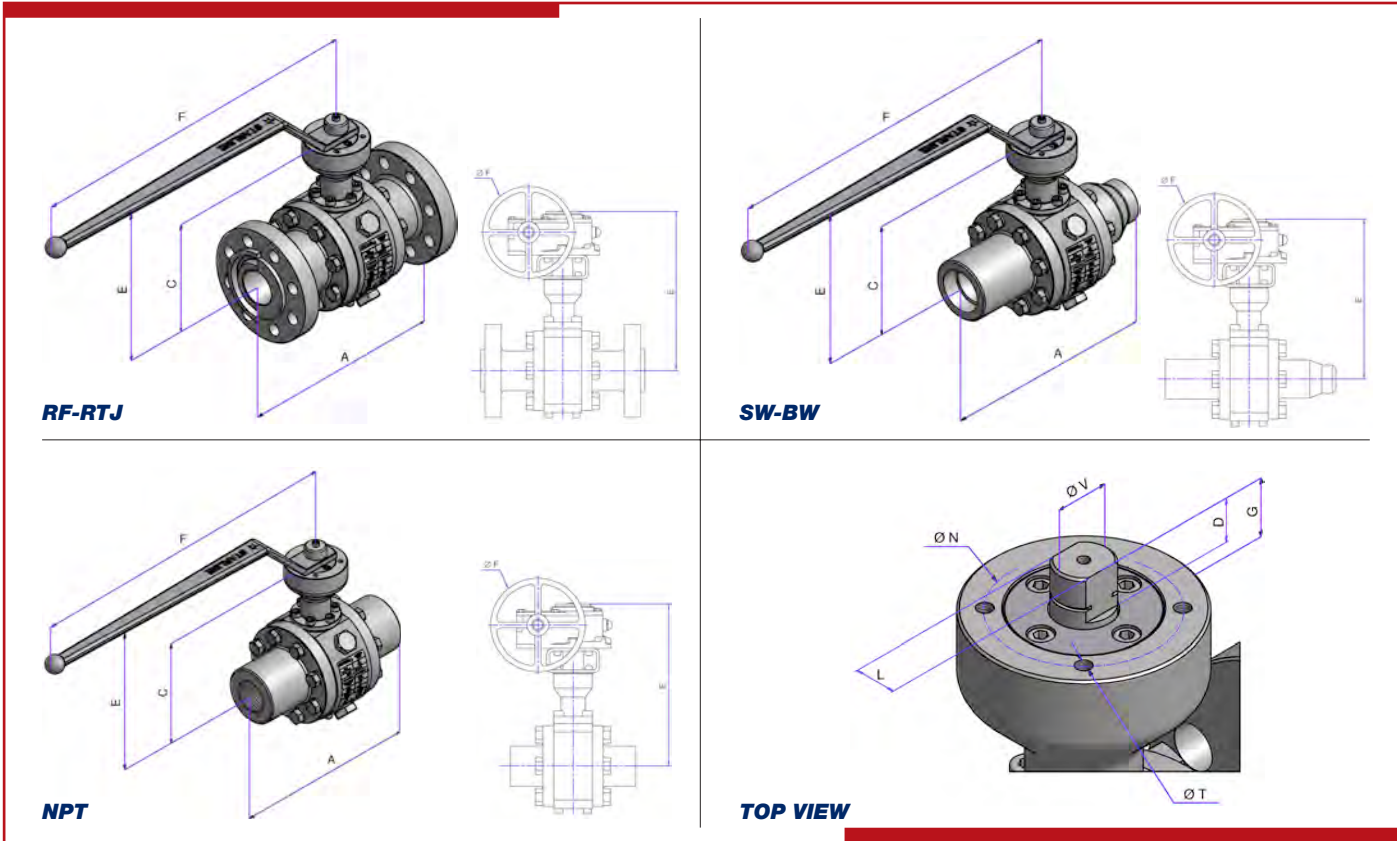
Gear Operated

Dimensions and weights are subject to change without notice.
Face to face dimensions not listed in industry standards are subject to change without notice.



ITEM NO.	Q. TY	PART NAME	MATERIAL (LF2/F316)	MATERIAL (F316/F316)	SPECIAL
NP	1	Name Plate	Stainless Steel	Stainless Steel	
EX	1	Extension	ASTM A350 LF2	ASTM A276/479 F316	
2	*****	Top Cover Screw	ASTM A193 B8	ASTM A193 B8	
2a	*****	Extension Screw	ASTM A193 B8	ASTM A193 B8	
2b	*****	Trunnion Screw	ASTM A193 B8	ASTM A193 B8	
3a - 3b - 3c	1 + 1 + 1	Stem - Trunnion Bearing	ASTM A276/479 F316 + 75 µ	ASTM A276/479 F316 + 75 µ	
5	1	Upper Stem	ASTM A276/479 F316	ASTM A276/479 F316	
7	1	Thrust Washer	ASTM A276/479 F316 + 75 µ	ASTM A276/479 F316 + 75 µ	
7a	*****	Packing Ring	Graphite	Graphite	
8	1	Extension Top Cover	ASTM A350 LF2	ASTM A276/479 F316	
8a	1	Upper Gland Packing	ASTM A276/479 F316	ASTM A276/479 F316	
8b	1	Low Gland Packing	ASTM A276/479 F316	ASTM A276/479 F316	
9	1	Ball	ASTM A276/479 F316 HARDENED	ASTM A276/479 F316 HARDENED	
10	2	Seat	ASTM A276/479 F316 HARDENED	ASTM A276/479 F316 HARDENED	
10a	2	Seat Seal	ASTM A276/479 F316	ASTM A276/479 F316	
10b	*****	Seat Ring	Graphite	Graphite	
11	2	Adaptor Fire Seal	Graphite	Graphite	
12	1	Body	ASTM A350 LF2	ASTM A276/479 F316	
13	2	Adaptor Flange	ASTM A350 LF2	ASTM A276/479 F316	
15 - 15a	2	Antistatic Spring	INCONEL X - 750	INCONEL X - 750	
16	*****	Adaptor Bolts	ASTM A320 L7M	ASTM A193 B8M	
30a	1	Extension Seal	Graphite	Graphite	
30b	1	Trunnion Seal	Graphite	Graphite	
31	*****	Seat Spring	INCONEL X - 750	INCONEL X - 750	
32	1	Trunnion	ASTM A276/479 F316	ASTM A276/479 F316	
37	1	Drain / Vent Plug	ASTM A276/479 F316	ASTM A276/479 F316	
38	2	Drain / Vent Plug Seal	Graphite	Graphite	

Recommended spare parts



FULL BORE													
VALVE SIZE		DIMENSIONS [mm]								WEIGHT [Kg]			
INCH	mm	A				BORE	C	E	F	RF	RTJ	SW-BW	NPT/F
		RF	RTJ	SW-BW	NPT/F								
1/2" x 1/2"	15 x 15	216	216	216	130	12.7	133.5	189	172.5	7	7	5.5	5.5
3/4" x 3/4"	20 x 20	229	229	229	145	19	140	197	218	13	13	11.5	11.5
1" x 1"	25 x 25	254	254	254	170	25.4	150	207	218	20	20	17	17
1.1/2" x 1.1/2"	40 x 40	305	305	305	220	38	171	227.5	420	39	39	35	35
2" x 2"	50 x 50	368	371	368	240	51	180	295	250	55	55	50	50
3" x 3"	80 x 80	470	473	470	-	76	270	458	400	95	95	65	-
4" x 4"	100 x 100	546	549	546	-	101.6	305	497.5	500	193	198	158	-

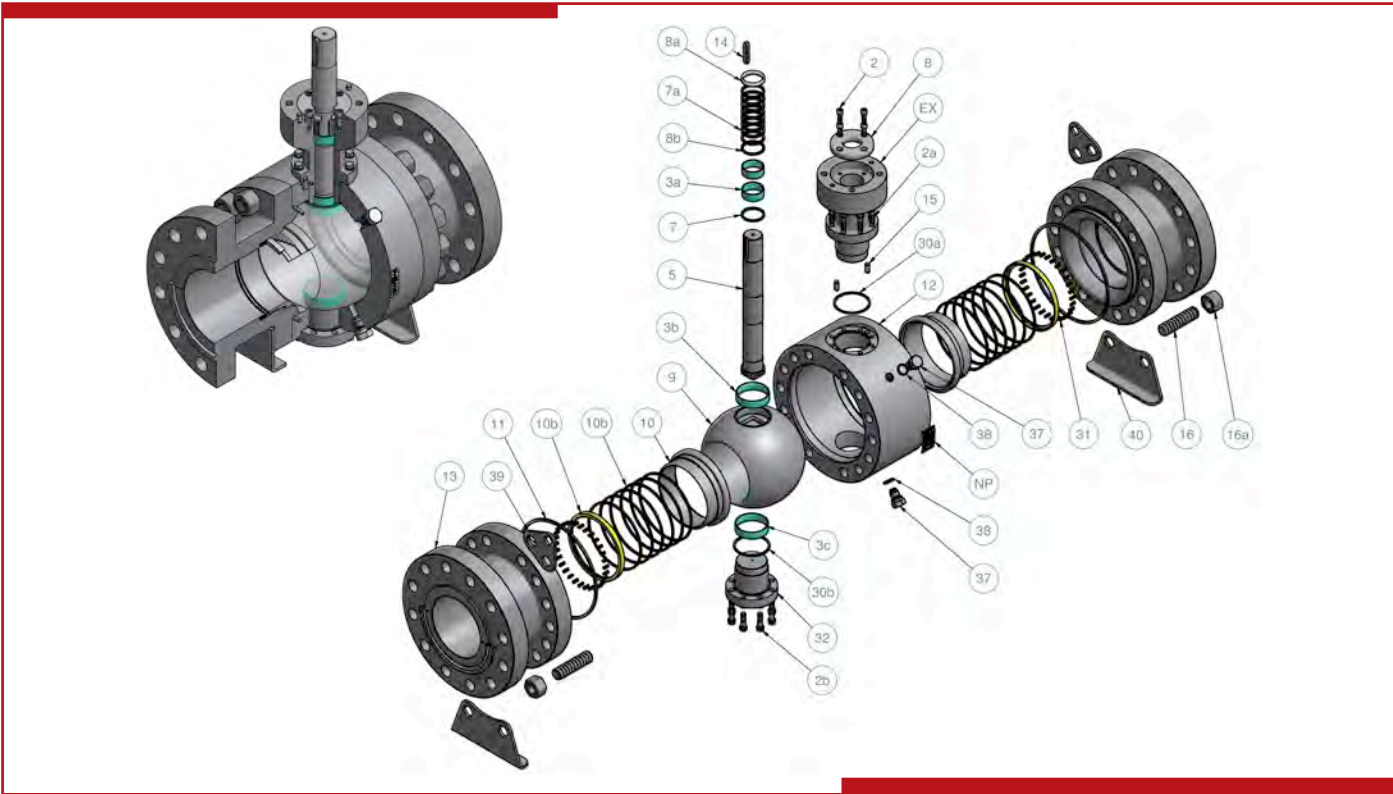
MANUAL GEAR OPERATION OR AUTOMATION							
DIMENSIONS [mm]							ISO 5211
V	L	D	G	N	T		
12	7.5	5	7.25	42	M5	F04	
15	9	7.5	11	50	M6	F05	
15	9	9	12.5	50	M6	F05	
24	18	19	20.5	70	M8	F07	
24	18	19	21	70	M8	F07	
40	30	30	33	102	M10	F10	
55	36	40	44	125	M12	F12	

REDUCED BORE													
VALVE SIZE		DIMENSIONS [mm]								WEIGHT [Kg]			
INCH	mm	A				BORE	C	E	F	RF	RTJ	SW-BW	NPT/F
		RF	RTJ	SW-BW	NPT/F								
3/4" x 1/2"	20 x 15	229	229	229	130	12.7	133.5	189	172.5	8.5	8.5	6	6
1" x 3/4"	25 x 20	254	254	254	145	19	140	197	218	15	15	13	13
1.1/4" x 1"	32 x 25	280	280	280	170	25.4	150	207	218	24	24	18	18
1.1/2" x 1"	40 x 25	305	305	305	170	25.4	150	207	218	27	27	19	19
2" x 1.1/2"	50 x 40	368	371	368	220	38	171	227.5	420	45	45	38	38
3" x 2"	80 x 50	470	473	470	-	51	180	295	250	73	74	53	-
4" x 3"	100 x 80	546	549	546	-	76	270	458	400	125	127	80	-
6" x 4"	150 x 100	705	711	705	-	101.6	305	497.5	500	238	243	163	-

MANUAL GEAR OPERATION OR AUTOMATION							
DIMENSIONS [mm]							ISO 5211
V	L	D	G	N	T		
12	7.5	5	7.25	42	M5	F04	
15	9	7.5	11	50	M6	F05	
15	9	9	12.5	50	M6	F05	
15	9	9	12.5	50	M6	F05	
24	18	19	20.5	70	M8	F07	
24	18	19	21	70	M8	F07	
40	30	30	33	102	M10	F10	
55	36	40	44	125	M12	F12	

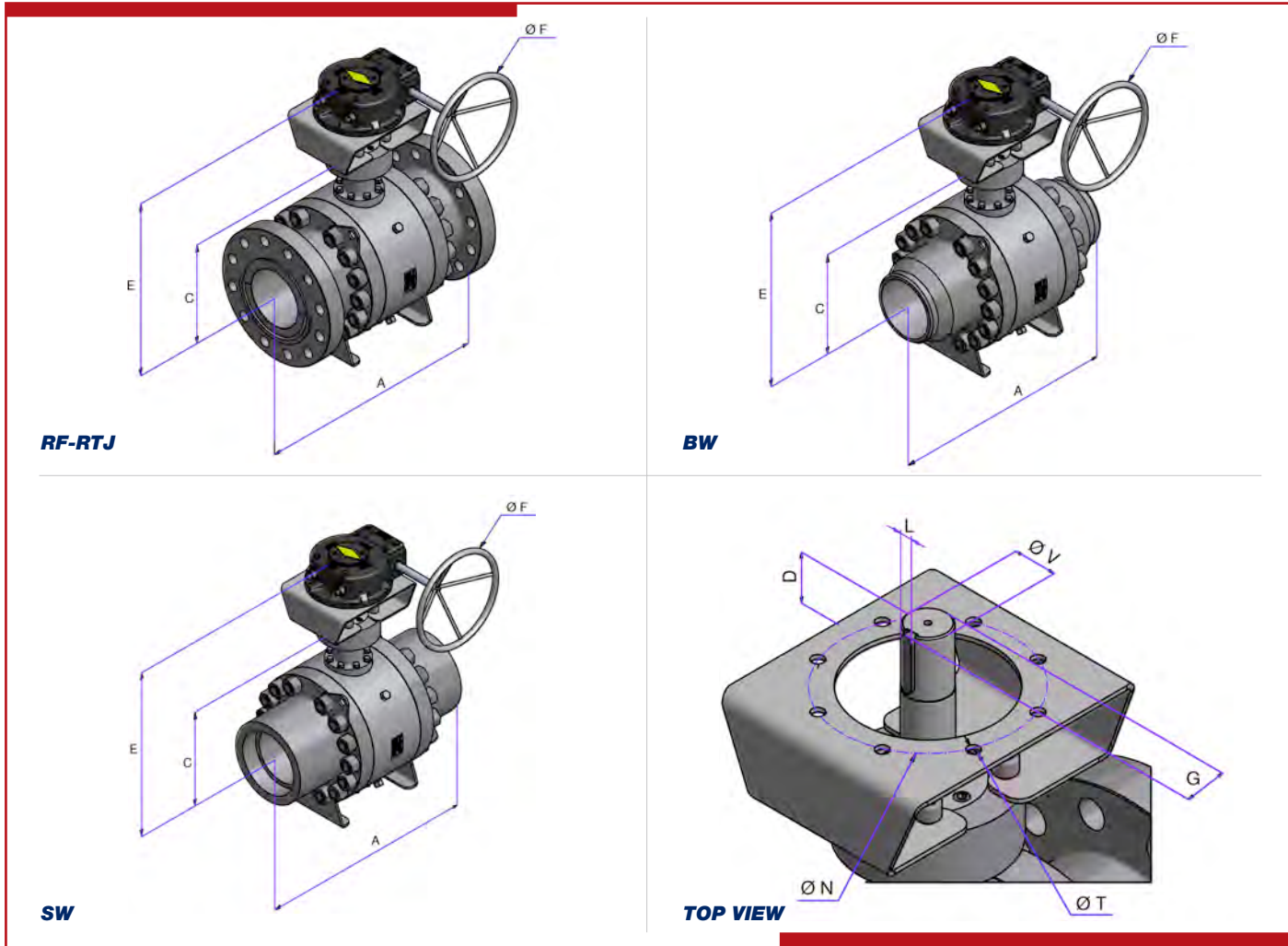
Gear Operated

Dimensions and weights are subject to change without notice.
Face to face dimensions not listed in industry standards are subject to change without notice.



ITEM NO.	Q. TY	PART NAME	MATERIAL (LF2/F316)	MATERIAL (F316/F316)	SPECIAL
NP	1	Name Plate	Stainless Steel	Stainless Steel	
EX	1	Extension	ASTM A350 LF2	ASTM A276/479 F316	
2	*****	Top Cover Screw	ASTM A193 B8	ASTM A193 B8	
2a	*****	Extension Screw	ASTM A193 B8	ASTM A193 B8	
2b	*****	Trunnion Screw	ASTM A193 B8	ASTM A193 B8	
3a - 3b - 3c	2 + 1 + 1	Stem - Trunnion Extension Bearing	ASTM A276/479 F316 + 75 μ	ASTM A276/479 F316 + 75 μ	
5	1	Upper Stem	ASTM A276/479 F316	ASTM A276/479 F316	
7	1	Thrust Washer	ASTM A276/479 F316 + 75 μ	ASTM A276/479 F316 + 75 μ	
7a	*****	Packing Ring	Graphite	Graphite	
8	1	Extension Top Cover	ASTM A350 LF2	ASTM A276/479 F316	
8a	1	Upper Gland Packing	ASTM A276/479 F316	ASTM A276/479 F316	
8b	1	Low Gland Packing	ASTM A276/479 F316	ASTM A276/479 F316	
9	1	Ball	ASTM A276/479 F316 HARDENED	ASTM A276/479 F316 HARDENED	
10	2	Seat	ASTM A276/479 F316 HARDENED	ASTM A276/479 F316 HARDENED	
10a	2	Seat Seal	ASTM A276/479 F316	ASTM A276/479 F316	
10b	*****	Seat Ring	Graphite	Graphite	
11	2	Adaptor Fire Seal	Graphite	Graphite	
12	1	Body	ASTM A350 LF2	ASTM A276/479 F316	
13	2	Adaptor Flange	ASTM A350 LF2	ASTM A276/479 F316	
14	1	Stem Key	Carbon Steel	Carbon Steel	
15	2	Antistatic Spring	INCONEL X - 750	INCONEL X - 750	
16	*****	Stud Bolts	ASTM A320 L7M	ASTM A193 B8M	
16a	*****	Nuts	ASTM A194 GR 4	ASTM A194 GR8 M	
30a	1	Extension Seal	Graphite	Graphite	
30b	1	Trunnion Seal	Graphite	Graphite	
31	*****	Seat Spring	INCONEL X - 750	INCONEL X - 750	
32	1	Trunnion	ASTM A276/479 F316	ASTM A276/479 F316	
37	2	Drain / Vent Plug	ASTM A276/479 F316	ASTM A276/479 F316	
38	2	Drain / Vent Plug Seal	Graphite	Graphite	
39	2	Lifting Lug	ASTM A350 LF2	ASTM A276/479 F316	
40	2	Foot	ASTM A350 LF2	ASTM A276/479 F316	

Recommended spare parts



FULL BORE												
VALVE SIZE		DIMENSIONS [mm]								WEIGHT [Kg]		
INCH	mm	A				BORE	C	E	F	RF	RTJ	SW-BW
		RF	RTJ	SW	BW							
6" x 6"	150 x 150	703	711	705	705	144	397	713	800	575	580	570

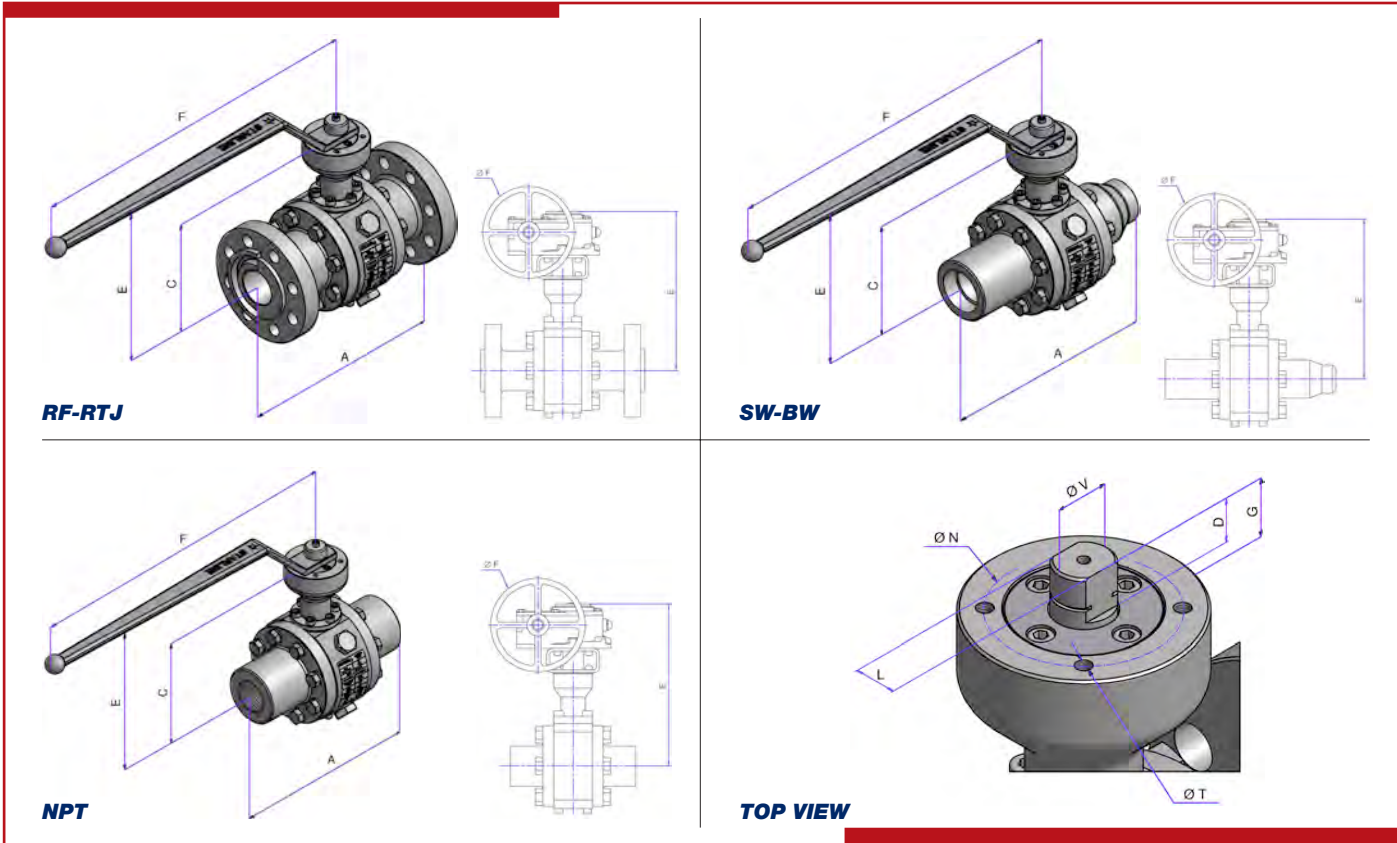
MANUAL GEAR OPERATION OR AUTOMATION						
DIMENSIONS [mm]						ISO 5211
V	L	D	G	N	T	
58	16	82	62	298	21	F30

REDUCED BORE												
VALVE SIZE		DIMENSIONS [mm]								WEIGHT [Kg]		
INCH	mm	A				BORE	C	E	F	RF	RTJ	SW-BW
		RF	RTJ	SW	BW							
8" x 6"	200 x 150	737	740	737	737	144	397	713	800	690	700	680

MANUAL GEAR OPERATION OR AUTOMATION						
DIMENSIONS [mm]						ISO 5211
V	L	D	G	N	T	
58	16	82	62	298	21	F30

Gear Operated

Dimensions and weights are subject to change without notice.
Face to face dimensions not listed in industry standards are subject to change without notice.



FULL BORE													
VALVE SIZE		DIMENSIONS [mm]								WEIGHT [Kg]			
INCH	mm	A				BORE	C	E	F	RF	RTJ	SW-BW	NPT/F
		RF	RTJ	SW-BW	NPT/F								
1/2" x 1/2"	15 x 15	263	263	263	150	12.7	140	197	218	12	12	10	10
3/4" x 3/4"	20 x 20	273	273	273	150	16	140	197	218	22	22	17	17
1" x 1"	25 x 25	308	308	308	170	21	162	217	218	28	28	22	22
1.1/2" x 1.1/2"	40 x 40	384	387	384	220	34	196	253	420	49	49	43	45
2" x 2"	50 x 50	451	454	451	260	44.5	208	323	250	77	80	47	50
3" x 3"	80 x 80	578	584	578	-	64	268.5	456.5	400	165	168	125	-

MANUAL GEAR OPERATION OR AUTOMATION							
DIMENSIONS [mm]							ISO 5211
V	L	D	G	N	T		
15	9	7.5	11	50	M6	F05	
15	9	7.5	11	50	M6	F05	
15	9	9	11	50	M6	F05	
24	18	19	20.5	70	M8	F07	
24	18	19	21	70	M8	F07	
40	30	30	33	102	M10	F10	

REDUCED BORE													
VALVE SIZE		DIMENSIONS [mm]								WEIGHT [Kg]			
INCH	mm	A				BORE	C	E	F	RF	RTJ	SW-BW	NPT/F
		RF	RTJ	SW-BW	NPT/F								
3/4" x 1/2"	20 x 15	273	273	273	150	12.7	140	197	218	14	14	10.5	10.5
1" x 3/4"	25 x 20	308	308	308	150	16	140	197	218	27	27	22	22
1.1/4" x 1"	32 x 25	349	352	349	170	21	162	217	218	34	35	27	27
1.1/2" x 1"	40 x 25	384	387	384	170	21	162	217	218	36	39	30	30
2" x 1.1/2"	50 x 40	451	454	451	220	34	196	253	420	57	60	45	47
3" x 2"	80 x 50	578	584	578	-	44.5	208	323	250	105	108	50	-
4" x 3"	100 x 80	673	682.5	673	-	64	268.5	456.5	400	220	225	140	-

MANUAL GEAR OPERATION OR AUTOMATION							
DIMENSIONS [mm]							ISO 5211
V	L	D	G	N	T		
15	9	7.5	11	50	M6	F05	
15	9	7.5	11	50	M6	F05	
15	9	9	11	50	M6	F05	
15	9	9	11	50	M6	F05	
24	18	19	20.5	70	M8	F07	
24	18	19	21	70	M8	F07	
40	30	30	33	102	M10	F10	

Gear Operated

Dimensions and weights are subject to change without notice.
Face to face dimensions not listed in industry standards are subject to change without notice.