

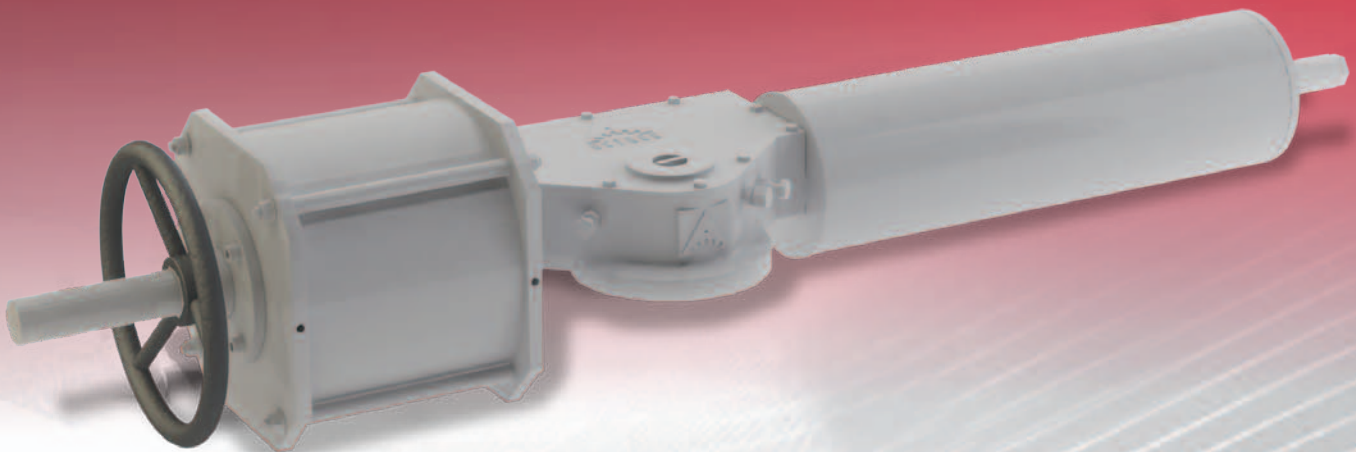


ACTREG

The art of power and perfection

PNEUMATIC AND HYDRAULIC ACTUATORS

Technical Features





ACTREG HISTORY

ACTREG SY SERIES

ACTREG, established in 1992, is a multinational company specialised in the manufacturer and sales of high quality of actuators for valves requiring a rotary, quarter turn movement for either On/Off or modulating duty. The expertise and know how has made ACTREG as leaders in actuation technology. ACTREG provides world coverage thanks to the strategic locations of its factories and offices. The international distribution secures quick availability and more importantly, personalised service for valve manufacturers, valve stockists and contractors.



Global Supply Line is Australian agent & stockist for Actreg
Full stock list online www.globalsupplyline.com.au
Contact email: sales@globalsupplyline.com.au



SINGLE ACTING

SERIES	Air Volume				
	VOLUME (L)	SERIES	VOLUME (L)	SERIES	VOLUME (L)
SY01F16-250 SRX	8	SY01F35-600 SRX	86	SY01F60-1000 SRX	455
SY01F16-300 SRX	11,5	SY01F35-700 SRX	118	SY01F60-1100 SRX	551
SY01F16-350 SRX	15,5	SY01F40-600 SRX	104		
SY01F25-350 SRX	19	SY01F40-700 SRX	143		
SY01F25-400 SRX	25	SY01F40-800 SRX	186		
SY01F25-450 SRX	32	SY01F48-800 SRX	216		
SY01F30-450 SRX	38	SY01F48-900 SRX	274		
SY01F30-500 SRX	47	SY01F48-1000 SRX	338		
SY01F30-550 SRX	57	SY01F60-800 SRX	291		
SY01F35-550 SRX	72	SY01F60-900 SRX	369		

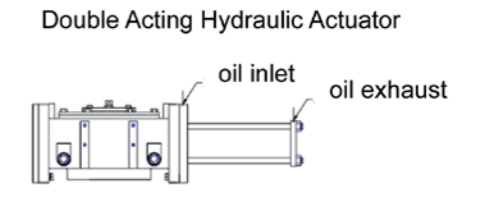
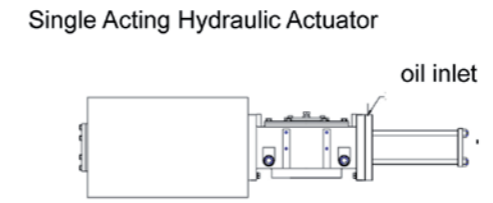
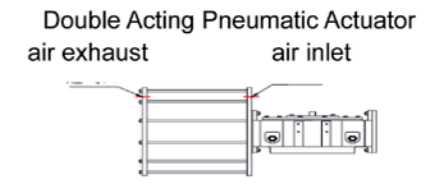
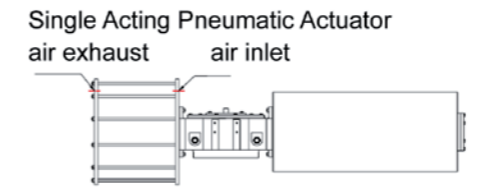
AIR INLET SIZE

Air Inlet Size Table	
CYLINDER	AIR INLET SIZE
200	3/8"
250	1/2"
300	1/2"
350	1/2"
400	3/4"
450	3/4"
500	3/4"
550	3/4"
600	1"
700	1"
800	1 1/2"
900	2"
1000	2"
1100	2"

DOUBLE ACTING

SERIES	Air Volume				
	VOLUME (L)	SERIES	VOLUME (L)	SERIES	VOLUME (L)
SY01F16-250 DA	16	SY01F35-600 DA	172	SY01F60-1000 DA	910
SY01F16-300 DA	18,4	SY01F35-700 DA	236	SY01F60-1100 DA	1102
SY01F16-350 DA	21,9	SY01F40-600 DA	208		
SY01F25-350 DA	38	SY01F40-700 DA	286		
SY01F25-400 DA	50	SY01F40-800 DA	372		
SY01F25-450 DA	64	SY01F48-800 DA	432		
SY01F30-450 DA	76	SY01F48-900 DA	548		
SY01F30-500 DA	94	SY01F48-1000 DA	676		
SY01F30-550 DA	114	SY01F60-800 DA	582		
SY01F35-550 DA	144	SY01F60-900 DA	738		

PNEUMATIC CYLINDER AIR CONNECTION & HIDRAULIC CONNECTION

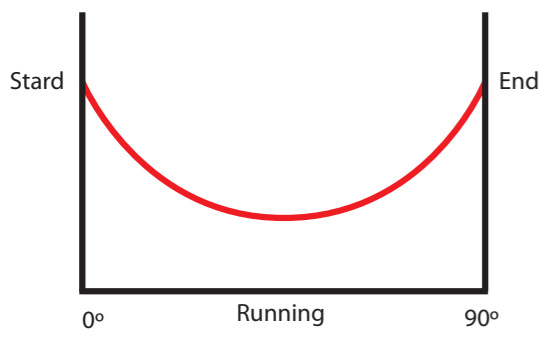




Double Acting Torque Sheet

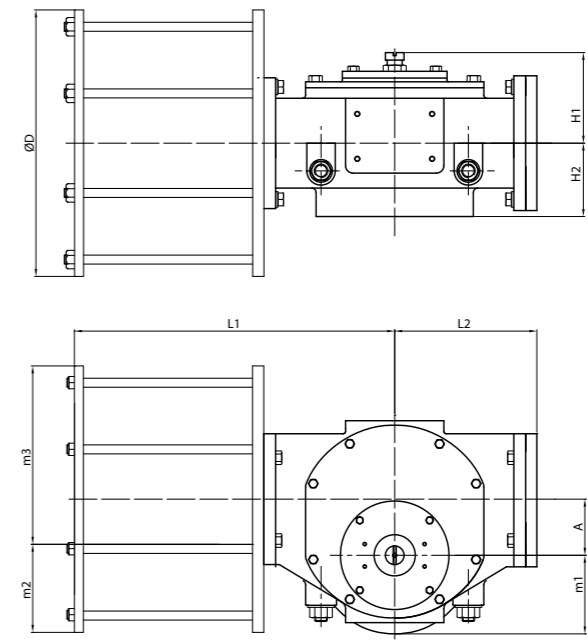
Double Acting Dimensions

AIR STROKE



Torque Sheet DOUBLE ACTING ACTUATORS Torque in Nm

	FLANGE	3 Bar		4 Bar		5 Bar		6 Bar		7 Bar	
		Start - End	Running	Start - End	Running	Start - End	Running	Start - End	Running	Start - End	Running
SY01F16-250 DA	F16	1590	964	2120	1286	2650	1607	3180	1929	3710	2250
SY01F16-300 DA		2289	1389	3053	1851	3816	2315	-	-	-	-
SY01F16-350 DA		3116	1890	4155	2521	-	-	-	-	-	-
SY01F25-350 DA	F25	3847	2333	5130	3112	6412	3890	7695	4668	-	-
SY01F25-400 DA		4884	2963	6513	3950	8141	4938	-	-	-	-
SY01F25-450 DA		6183	3750	8244	5001	-	-	-	-	-	-
SY01F30-450 DA	F30	7556	4583	10074	6111	12328	7478	15112	9167	-	-
SY01F30-500 DA		9329	5659	12439	7546	15549	9433	-	-	-	-
SY01F30-550 DA		11289	6848	15052	9131	-	-	-	-	-	-
SY01F35-550 DA	F35	14367	8715	19156	11621	23944	14526	28734	17431	33523	20337
SY01F35-600 DA		17098	10372	22798	13830	28496	17287	34196	20746	-	-
SY01F35-700 DA		23273	14119	31031	18825	-	-	-	-	-	-
SY01F40-600 DA	F40	20762	12595	27683	16793	34604	20993	41526	25192	48446	29390
SY01F40-700 DA		28259	17143	37680	22859	47101	28574	56521	34288	65940	40004
SY01F40-800 DA		36911	22392	49215	39559	61519	37320	-	-	-	-
SY01F48-800 DA	F48	43425	26343	57899	35125	72375	43907	86851	52689	101325	61471
SY01F48-900 DA		54959	33342	73280	44456	91599	55569	109919	66683	128239	77797
SY01F48-1000 DA		67852	41163	90470	54885	113087	68606	-	-	-	-
SY01F60-800 DA	F60	58624	35174	78166	46899	97707	58625	117248	71130	136789	82985
SY01F60-900 DA		74196	45011	98928	60016	123659	75020	148392	90024	173124	105028
SY01F60-1000 DA		91600	55570	122133	74094	152666	92617	183200	111141	213733	129664
SY01F60-1100 DA		110835	67240	147781	89653	184726	112067	221671	134480	258616	156893



SERIES	Dimensions in mm									
	L1	L2	H1	H2	Ø D	A	m1	m2	m3	
SY01F16-250 DA	499	190	119	98	310	75	105	80	230	
SY01F16-300 DA	499	190	119	98	365	75	105	107,5	257,5	
SY01F16-350 DA	499	190	119	98	415	75	105	132,5	282,5	
SY01F25-350 DA	582	222	130	104	415	90	150	117,5	297,5	
SY01F25-400 DA	582	222	130	104	465	90	150	172,5	322,5	
SY01F25-450 DA	582	222	130	104	516	90	150	168	348	
SY01F30-450 DA	705	287	153	129	516	110	175	148	368	
SY01F30-500 DA	705	287	153	129	570	110	175	175	395	
SY01F30-550 DA	705	287	153	129	620	110	175	200	420	
SY01F35-550 DA	832	326	165	149	620	140	207,5	170	450	
SY01F35-600 DA	832	326	165	149	670	140	207,5	195	475	
SY01F35-700 DA	832	326	165	149	772	140	207,5	246	526	
SY01F40-600 DA	970	388	182	176	670	170	237,5	165	505	
SY01F40-700 DA	970	388	182	176	772	170	237,5	216	556	
SY01F40-800 DA	970	388	182	176	878	170	237,5	269	609	
SY01F48-800 DA	1130	440	230	222	878	200	280	239	639	
SY01F48-900 DA	1130	440	230	222	980	200	280	290	690	
SY01F48-1000 DA	1130	440	230	222	1080	200	208	340	740	
SY01F60-800 DA	1420	3150	240	225	878	270	343	169	709	
SY01F60-900 DA	1420	3150	240	225	980	270	343	220	760	
SY01F60-1000 DA	1420	3150	240	225	1080	270	343	270	810	
SY01F60-1100 DA	1420	3150	240	225	1180	270	343	320	860	



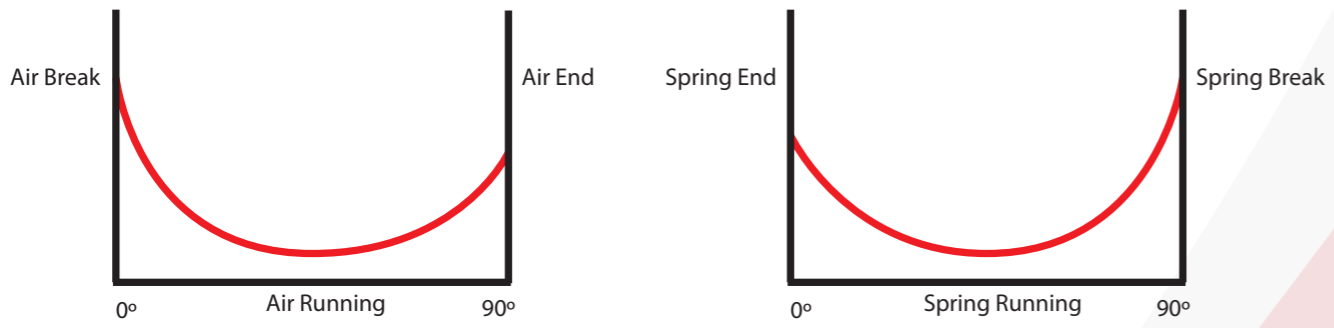
SR3

Spring Return Torque

SR3

Dimensions

AIR STROKE

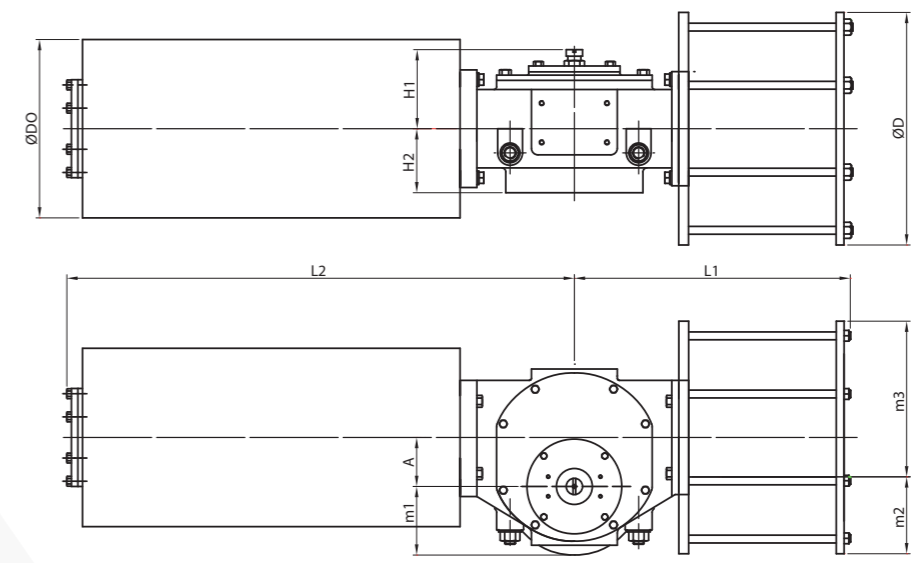


SR3 Spring for Air Pressure at 3bar

SPRING RETURN ACTUATORS

Torque in Nm

	FLANGE	Output torque air pressure 3 Bar			Output torque Springs		
		Air break	Air Running	Air end	Spring Break	Spring Running	Spring end
SY01F16-250 SR3	F16	1056	508	524	1081	503	601
SY01F16-300 SR3		1430	720	893	1420	714	883
SY01F16-350 SR3		2024	1028	1270	1877	958	1215
SY01F25-350 SR3	F25	2323	1242	1551	2227	1141	1455
SY01F25-400 SR3		3058	1558	1884	2966	1501	1876
SY01F25-450 SR3		3736	1879	2325	3920	1993	2509
SY01F30-450 SR3	F30	4773	2377	2895	4738	2355	2860
SY01F30-500 SR3		5924	2903	3440	5984	2939	3500
SY01F30-550 SR3		7097	3627	4604	6798	3442	4306
SY01F35-550 SR3	F35	9167	4523	5425	9088	4475	5346
SY01F35-600 SR3		10958	5371	6366	10906	5338	6314
SY01F35-700 SR3		14692	7408	9205	14305	7168	8818
SY01F40-600 SR3	F40	12940	6484	7973	13000	6520	8033
SY01F40-700 SR3		18378	9527	12352	16195	8173	10169
SY01F40-800 SR3		23758	12335	16076	21212	10770	13529
SY01F48-800 SR3	F48	27651	14001	17514	26353	13197	16217
SY01F48-900 SR3		34901	17644	22015	33506	16779	20619
SY01F48-1000 SR3		39739	19515	23213	45331	22983	28806
SY01F60-800 SR3	F60	35441	18195	21587	36432	18293	22577
SY01F60-900 SR3		47388	23465	28306	46647	23006	27564
SY01F60-1000 SR3		54655	26172	29770	62764	31199	37878
SY01F60-1100 SR3		63242	34913	33877	78089	34505	48725



ACTUATORS DIMENSIONS

SERIES	Dimensions in mm									
	L1	L2	H1	H2	Ø D	Ø DO	A	m1	m2	m3
SY01F16-250 SR3	499	775	119	98	310	219	75	105	80	230
SY01F16-300 SR3	499	775	119	98	365	273	75	105	107,5	257,5
SY01F16-350 SR3	499	775	119	98	415	273	75	105	132,5	282,5
SY01F25-350 SR3	582	935	130	104	415	273	90	150	117,5	297,5
SY01F25-400 SR3	582	935	130	104	465	325	90	150	172,5	322,5
SY01F25-450 SR3	582	935	130	104	516	325	90	150	168	348
SY01F30-450 SR3	705	1210	153	129	516	377	110	175	148	368
SY01F30-500 SR3	705	1210	153	129	570	377	110	175	175	395
SY01F30-550 SR3	705	1210	153	129	620	426	110	175	200	420
SY01F35-550 SR3	832	1570	165	149	620	426	140	207,5	170	450
SY01F35-600 SR3	832	1570	165	149	670	415	140	207,5	195	475
SY01F35-700 SR3	832	1570	165	149	772	508	140	207,5	246	526
SY01F40-600 SR3	970	1810	182	176	670	508	170	237,5	165	505
SY01F40-700 SR3	970	1810	182	176	772	530	170	237,5	165	556
SY01F40-800 SR3	970	1810	182	176	878	530	170	237,5	269	609
SY01F48-800 SR3	1130	2355	230	222	878	630	200	280	239	639
SY01F48-900 SR3	1130	2355	230	222	980	730	200	208	290	690
SY01F48-1000 SR3	1130	2355	230	222	1080	730	200	208	340	740
SY01F60-800 SR3	1420	3150	240	225	878	630	270	343	169	709
SY01F60-900 SR3	1420	3150	240	225	980	730	270	343	220	760
SY01F60-1000 SR3	1420	3150	240	225	1080	730	270	343	270	810
SY01F60-1100 SR3	1420	3150	240	225	1180	730	270	343	220	860



SR4

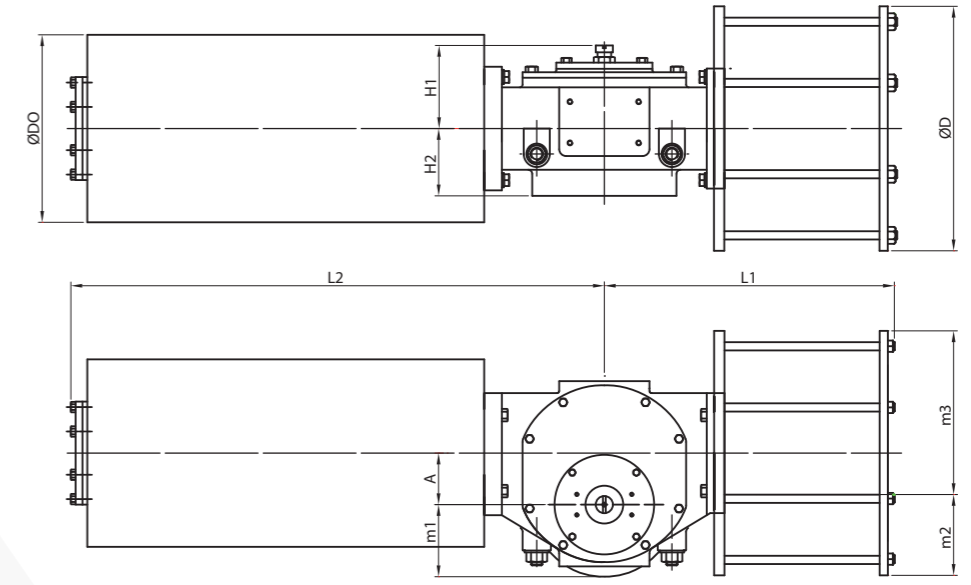
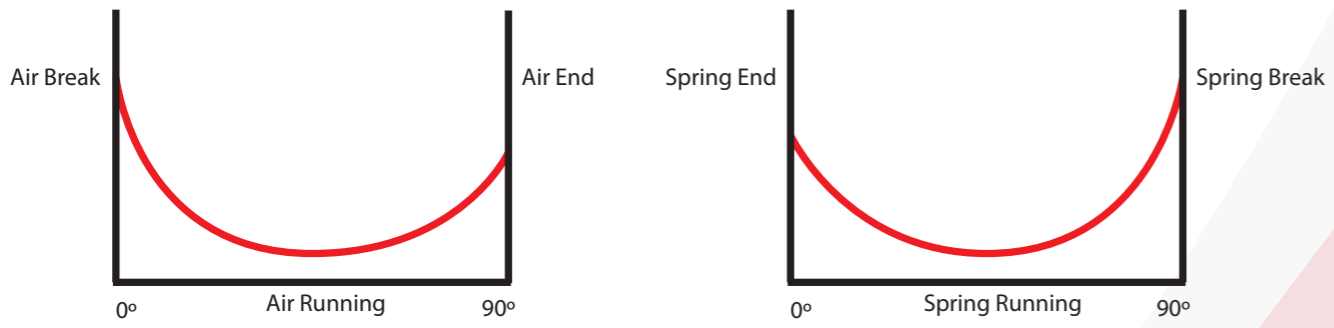
Spring Return

Torque

SR4

Dimensions

AIR STROKE



SR4 Spring for Air Pressure at 4bar

SPRING RETURN ACTUATORS

Torque in Nm

SERIES	FLANGE	Output torque air pressure 4 Bar			Output torque Springs		
		Air break	Air Running	Air end	Spring Break	Spring Running	Spring end
SY01F16-250 SR4	F16	1332	684	873	1268	644	810
SY01F16-300 SR4		1869	953	1207	1877	958	1215
SY01F16-350 SR4		2585	1314	1629	2569	1297	1613
SY01F25-350 SR4	F25	3161	1689	2071	2966	1502	1876
SY01F25-400 SR4		4071	2086	2659	3920	1993	2509
SY01F25-450 SR4		5358	2722	3421	4905	1451	2969
SY01F30-450 SR4	F30	6396	3196	3912	6266	3115	3782
SY01F30-500 SR4		7746	3863	4715	7850	3927	4820
SY01F30-550 SR4		9439	4661	5923	9281	4766	5766
SY01F35-550 SR4	F35	11945	5928	7178	12174	6070	7406
SY01F35-600 SR4		14212	7111	8725	14305	7169	8818
SY01F35-700 SR4		19913	10039	12468	18878	9396	11434
SY01F40-600 SR4	F40	17796	8173	11769	16195	8837	10169
SY01F40-700 SR4		24534	12830	16853	21212	10770	13529
SY01F40-800 SR4		31146	15856	20001	29715	14969	18569
SY01F48-800 SR4	F48	37871	19223	24985	33506	16779	20619
SY01F48-900 SR4		45220	22915	28696	45331	23111	28806
SY01F48-1000 SR4		56544	28261	34618	56775	28403	34848
SY01F60-800 SR4	F60	51399	25952	32316	46647	23006	27564
SY01F60-900 SR4		62058	30761	37173	62764	31199	37878
SY01F60-1000 SR4		74655	37838	45290	78089	38658	48725
SY01F60-1100 SR4		91694	45276	54357	94932	47283	57595

ACTUATORS DIMENSIONS

SERIES	Dimensions in mm									
	L1	L2	H1	H2	Ø D	Ø DO	A	m1	m2	m3
SY01F16-250 SR4	499	775	119	98	310	273	75	105	80	230
SY01F16-300 SR4	499	775	119	98	365	273	75	105	107,5	257,5
SY01F16-350 SR4	499	775	119	98	415	325	75	105	132,5	282,5
SY01F25-350 SR4	582	935	130	104	415	325	90	150	117,5	297,5
SY01F25-400 SR4	582	935	130	104	465	325	90	150	172,5	322,5
SY01F25-450 SR4	582	935	130	104	516	325	90	150	168	348
SY01F30-450 SR4	705	1210	153	129	516	426	110	175	148	368
SY01F30-500 SR4	705	1210	153	129	570	377	110	175	175	395
SY01F30-550 SR4	705	1210	153	129	620	426	110	175	200	420
SY01F35-550 SR4	832	1570	165	149	620	508	140	207,5	170	450
SY01F35-600 SR4	832	1570	165	149	670	508	140	207,5	195	475
SY01F35-700 SR4	832	1570	165	149	772	508	140	207,5	246	526
SY01F40-600 SR4	970	1810	182	176	670	530	170	237,5	165	505
SY01F40-700 SR4	970	1810	182	176	772	530	170	237,5	165	556
SY01F40-800 SR4	970	1810	182	176	878	530	170	237,5	269	609
SY01F48-800 SR4	1130	2355	230	222	878	630	200	280	239	639
SY01F48-900 SR4	1130	2355	230	222	980	730	200	208	290	690
SY01F48-1000 SR4	1130	2355	230	222	1080	730	200	208	340	740
SY01F60-800 SR4	1420	3150	240	225	878	630	270	343	169	709
SY01F60-900 SR4	1420	3150	240	225	980	730	270	343	220	760
SY01F60-1100 SR4	1420	3150	240	225	1080	730	270	343	270	810
SY01F60-1100 SR4	1420	3150	240	225	980	730	270	343	220	860



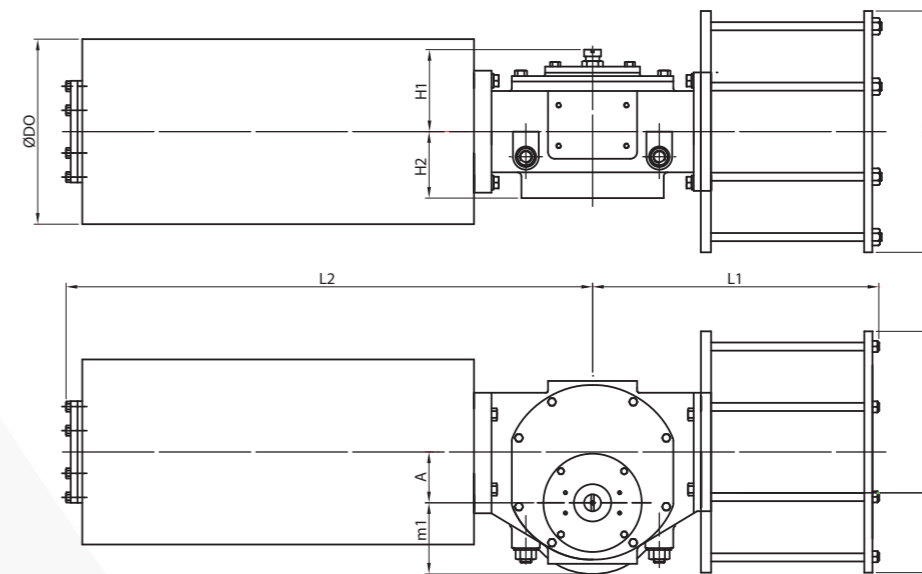
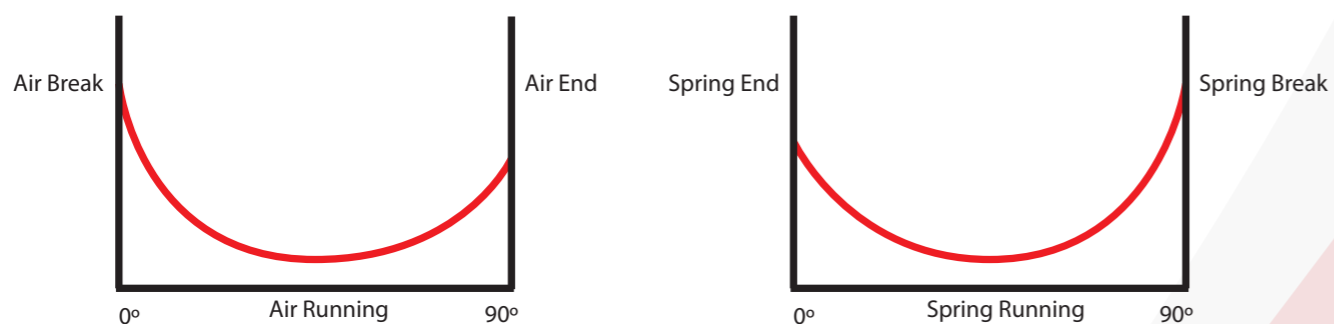
SR5

Spring Return Torque

SR5

Dimensions

AIR STROKE



SR5 Spring for Air Pressure at 5bar

SPRING RETURN ACTUATORS

Torque in Nm

	FLANGE	Output torque air pressure 5 Bar			Output torque Springs		
		Air break	Air Running	Air end	Spring Break	Spring Running	Spring end
SY01F16-250 SR5	F16	1675	872	1139	1537	787	1001
SY01F16-300 SR5		2414	1201	1457	2397	1190	1440
SY01F16-350 SR5		3183	1727	2085	3162	1621	2064
SY01F25-350 SR5	F25	3788	2024	2376	3920	1993	2509
SY01F25-400 SR5		5256	2658	3318	4905	2441	2969
SY01F25-450 SR5		6720	3368	4146	6263	3086	3689
SY01F30-450 SR5	F30	7813	3961	4873	7850	3928	4820
SY01F30-500 SR5		9942	5074	6425	9281	4665	5766
SY01F30-550 SR5		11985	6100	7694	11312	5684	7021
SY01F35-550 SR5	F35	15372	7830	9884,16	14305	7169	8818
SY01F35-600 SR5		18144	8967	10785	18003	8881	10644
SY01F35-700 SR5		25215	12639	15558	23625	11654	13968
SY01F40-600 SR5	F40	21428	10904	13745	21212	10770	13529
SY01F40-700 SR5		29011	14529	17866	29715	14969	18569
SY01F40-800 SR5		40684	21006	27076	35071	17525	21462
SY01F48-800 SR5	F48	44307	22348	27782	45331	22982	28806
SY01F48-900 SR5		57686	28968	35760	56775	28403	34848
SY01F48-1000 SR5		72048	36388	45334	68906	34441	42192
SY01F60-800 SR5	F60	60825	29997	35939	62764	31200	37878
SY01F60-900 SR5		76197	38139	46832	78089	39313	48725
SY01F60-1000 SR5		96629	48336	59292	94932	47283	57595
SY01F60-1100 SR5		115566	59189	75366	111245	56510	71046

ACTUATORS DIMENSIONS

SERIES	Dimensions in mm									
	L1	L2	H1	H2	Ø D	Ø DO	A	m1	m2	m3
SY01F16-250 SR5	499	775	119	98	310	273	75	105	80	230
SY01F16-300 SR5	499	775	119	98	365	325	75	105	107,5	257,5
SY01F16-350 SR5	499	775	119	98	415	325	75	105	132,5	282,5
SY01F25-350 SR5	582	935	130	104	415	325	90	150	117,5	297,5
SY01F25-400 SR5	582	935	130	104	465	325	90	150	172,5	322,5
SY01F25-450 SR5	582	935	130	104	516	377	90	150	168	348
SY01F30-450 SR5	705	1210	153	129	516	377	110	175	148	368
SY01F30-500 SR5	705	1210	153	129	570	426	110	175	175	395
SY01F30-550 SR5	705	1210	153	129	620	508	110	175	200	420
SY01F35-550 SR5	832	1570	165	149	620	508	140	207,5	170	450
SY01F35-600 SR5	832	1570	165	149	670	508	140	207,5	195	475
SY01F35-700 SR5	832	1570	165	149	772	630	140	207,5	246	526
SY01F40-600 SR5	970	1810	182	176	670	530	170	237,5	165	505
SY01F40-700 SR5	970	1810	182	176	772	630	170	237,5	165	556
SY01F40-800 SR5	970	1810	182	176	878	530	170	237,5	269	609
SY01F48-800 SR5	1130	2355	230	222	878	730	200	280	239	639
SY01F48-900 SR5	1130	2355	230	222	980	730	200	208	290	690
SY01F48-1000 SR5	1130	2355	230	222	1080	730	200	208	340	740
SY01F60-800 SR5	1420	3150	240	225	878	730	270	343	169	709
SY01F60-900 SR5	1420	3150	240	225	980	730	270	343	220	760
SY01F60-1000 SR5	1420	3150	240	225	1080	730	270	343	270	810
SY01F60-1100 SR5	1420	3150	240	225	1180	730	270	343	320	860



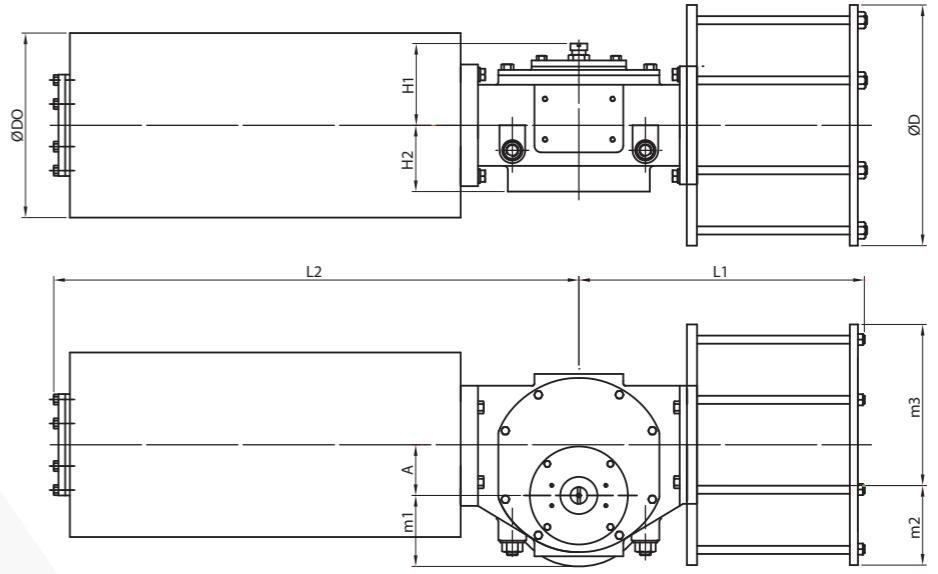
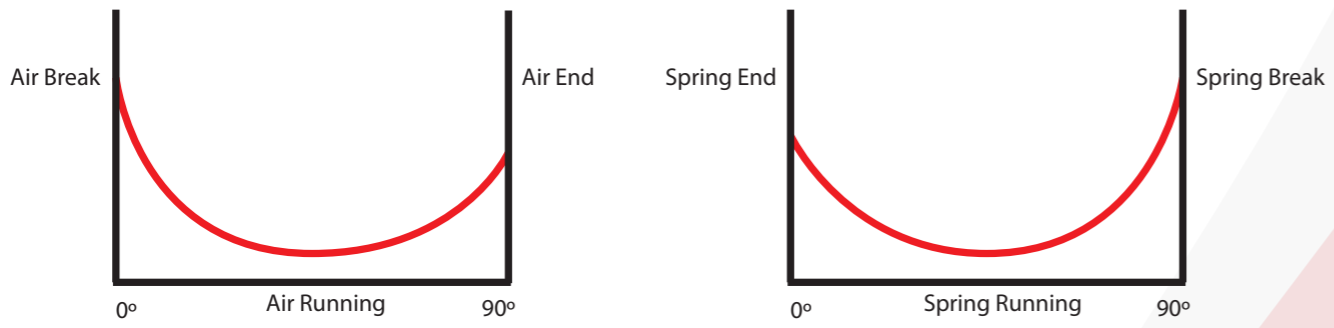
SR6

Spring Return Torque

SR6

Dimensions

AIR STROKE



SR6 Spring for Air Pressure at 6bar

SPRING RETURN ACTUATORS

Torque in Nm

	FLANGE	Output torque air pressure 6 Bar			Output torque Springs		
		Air break	Air Running	Air end	Spring Break	Spring Running	Spring end
SY01F16-250 SR6	F16	1998	1033	1335	1877	958	1215
SY01F16-300 SR6		3014	1572	2056	2569	1297	1613
SY01F16-350 SR6		3875	2081	2477	3819	1934	2422
SY01F25-350 SR6	F25	4587	2379	2650	4905	2441	2969
SY01F25-400 SR6		6181	3034	3607	4283	3086	3689
SY01F25-450 SR6		7818	3761	4313	8178	3984	4673
SY01F30-450 SR6	F30	9502	4802	5986	9281	4665	5766
SY01F30-500 SR6		11842	6003	7537	11312	5684	7021
SY01F30-550 SR6		14547	7259	8867	13939	6882	8261
SY01F35-550 SR6	F35	18383	9117	11025	18003	8880	10644
SY01F35-600 SR6		21957	10620	12300	22246	10799	12589
SY01F35-700 SR6		29905	14961	18358	28663	14192	17115
SY01F40-600 SR6	F40	25289	12671	15316	26364	13337	16660
SY01F40-700 SR6		35635	17875	22026	35071	17525	21462
SY01F40-800 SR6		45569	22593	28306	47265	23644	29007
SY01F48-800 SR6	F48	52886	25994	30962	56775	28403	34848
SY01F48-900 SR6		68850	34405	42135	68906	34440	42192
SY01F48-1000 SR6		85632	41828	55235	81853	41326	51456
SY01F60-800 SR6	F60	70017	34123	40354	78089	39313	48725
SY01F60-900 SR6		92311	45658	54974	94932	47283	57595
SY01F60-1000 SR6		114023	58233	73824	111245	56510	71046
SY01F60-1100 SR6		-	-	-	-	-	-

ACTUATORS DIMENSIONS

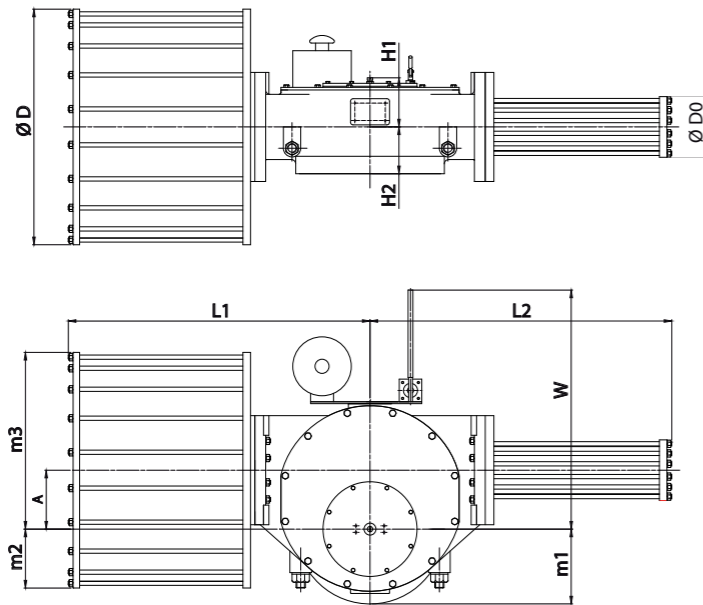
SERIES	Dimensions in mm									
	L1	L2	H1	H2	Ø D	Ø DO	A	m1	m2	v
SY01F16-250 SR6	499	775	119	98	310	273	75	105	80	230
SY01F16-300 SR6	499	775	119	98	365	325	75	105	107,5	257,5
SY01F16-350 SR6	499	775	119	98	415	325	75	105	132,5	282,5
SY01F25-350 SR6	582	935	130	104	415	325	90	150	117,5	297,5
SY01F25-400 SR6	582	935	130	104	465	377	90	150	172,5	322,5
SY01F25-450 SR6	582	935	130	104	516	426	90	150	168	348
SY01F30-450 SR6	705	1210	153	129	516	426	110	175	148	368
SY01F30-500 SR6	705	1210	153	129	570	508	110	175	175	395
SY01F30-550 SR6	705	1210	153	129	620	508	110	175	200	420
SY01F35-550 SR6	832	1570	165	149	620	508	140	207,5	170	450
SY01F35-600 SR6	832	1570	165	149	670	630	140	207,5	195	475
SY01F35-700 SR6	832	1570	165	149	772	630	140	207,5	246	526
SY01F40-600 SR6	970	1810	182	176	670	630	170	237,5	165	505
SY01F40-700 SR6	970	1810	182	176	772	730	170	237,5	165	556
SY01F40-800 SR6	970	1810	182	176	878	530	170	237,5	269	609
SY01F48-800 SR6	1130	2355	230	222	878	730	200	280	239	639
SY01F48-900 SR6	1130	2355	230	222	980	730	200	208	290	690
SY01F48-1000 SR6	1130	2355	230	222	1080	730	200	208	340	740
SY01F60-800 SR6	1420	3150	240	225	878	730	270	343	169	709
SY01F60-900 SR6	1420	3150	240	225	980	730	270	343	220	760
SY01F60-1000 SR6	1420	3150	240	225	1080	730	270	343	270	810



DA-HY

Double Acting Dimensions

HYDRAULIC MANUAL OVERRIDE



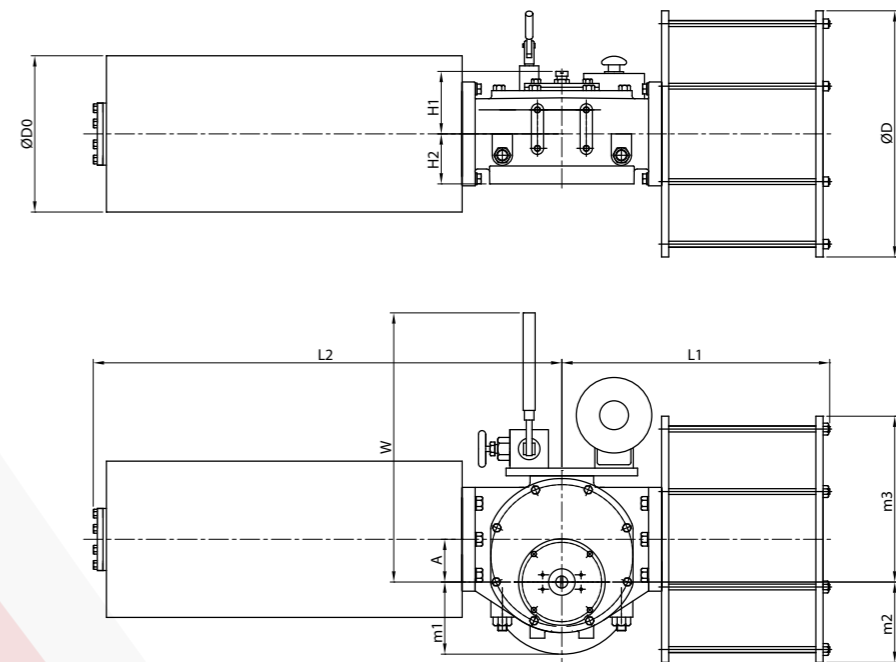
DOUBLE ACTING DIMENSIONS

SERIES	Dimensions in mm										
	L1	L2	H1	H2	Ø D	Ø DO	A	m1	m2	m3	W
SY01F30-450 DA-HY	705	725	153	129	516	180	110	175	148	368	785
SY01F30-500 DA-HY	705	725	153	129	570	180	110	175	175	395	785
SY01F30-550 DA-HY	705	725	153	129	620	180	110	175	200	420	785
SY01F35-550 DA-HY	832	860	165	149	620	225	140	207,5	148	368	860
SY01F35-600 DA-HY	832	860	165	149	670	225	140	207,5	195	475	860
SY01F35-700 DA-HY	832	8960	165	149	772	225	140	207,5	246	526	860
SY01F40-600 DA-HY	970	1000	182	176	670	250	170	237,5	165	505	930
SY01F40-700 DA-HY	970	1000	182	176	772	250	170	237,5	216	556	930
SY01F40-800 DA-HY	970	1000	182	176	878	250	170	237,5	269	609	930
SY01F48-800 DA-HY	1130	1130	230	222	878	280	200	343	239	639	1010
SY01F48-900 DA-HY	1130	1130	230	222	980	280	200	343	290	690	1010
SY01F48-1000 DA-HY	1130	1130	230	222	1080	280	200	343	340	740	1010
SY01F60-800 DA-HY	1420	1420	240	225	878	280	270	343	169	709	1150
SY01F60-900 DA-HY	1420	1420	240	225	980	280	270	343	220	760	1150
SY01F60-1000 DA-HY	1420	1420	240	225	1080	280	270	343	270	810	1150
SY01F60-1100 DA-HY	1420	1420	240	225	1180	280	270	343	320	860	1150

SR3-HY

Spring Return Dimensions

HYDRAULIC MANUAL OVERRIDE



SPRING RETURN ACTUATORS

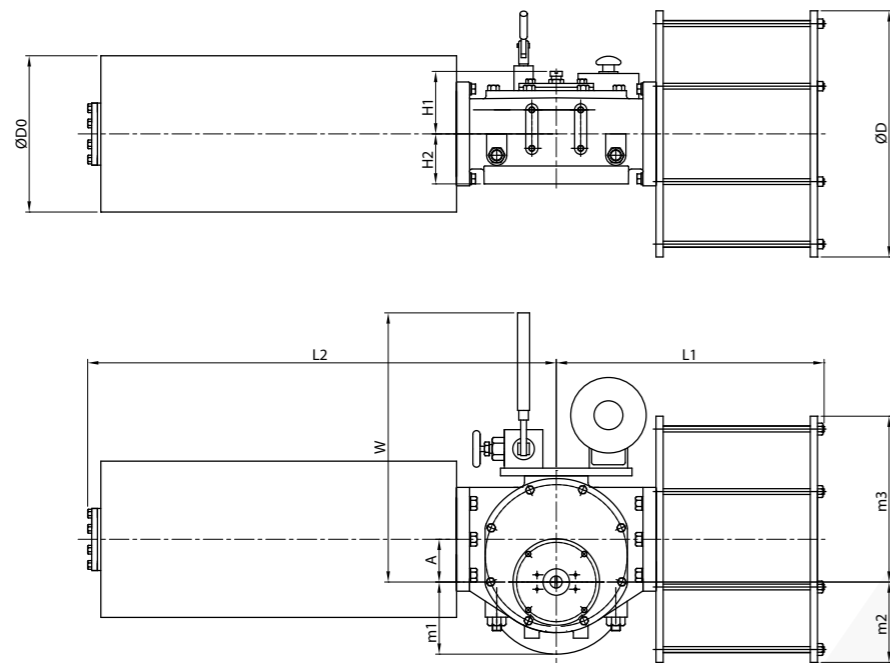
SERIES	Dimensions in mm										
	L1	L2	H1	H2	Ø D	Ø DO	A	m1	m2	m3	W
SY01F25-350 SR3-HY	582	935	130	104	415	273	90	150	117,5	297,5	690
SY01F25-400 SR3-HY	582	935	130	104	465	325	90	150	172,5	322,5	690
SY01F25-450 SR3-HY	582	935	130	104	516	325	90	150	168	348	690
SY01F30-450 SR3-HY	705	1210	153	129	516	377	110	175	148	368	785
SY01F30-500 SR3-HY	705	1210	153	129	570	377	110	175	175	395	785
SY01F30-550 SR3-HY	705	1210	153	129	620	426	110	175	200	420	785
SY01F35-550 SR3-HY	832	1570	165	149	620	426	140	207,5	170	450	860
SY01F35-600 SR3-HY	832	1570	165	149	670	508	140	207,5	195	475	860
SY01F35-700 SR3-HY	832	1570	165	149	772	508	140	207,5	246	526	860
SY01F40-600 SR3-HY	970	1810	182	176ZZ	670	508	170	237,5	165	505	930
SY01F40-700 SR3-HY	970	1810	182	176	772	530	170	237,5	165	505	930
SY01F40-800 SR3-HY	970	1810	182	176	878	530	170	237,5	165	505	930
SY01F48-800 SR3-HY	1130	2355	230	222	878	630	200	280	239	639	1010
SY01F48-900 SR3-HY	1130	2355	230	222	980	730	200	208	290	690	1010
SY01F48-1000 SR3-HY	1130	2355	230	222	1080	730	200	208	340	740	1010
SY01F60-800 SR3-HY	1420	3150	240	225	878	630	270	343	169	709	1150
SY01F60-900 SR3-HY	1420	3150	240	225	980	730	270	343	220	760	1150
SY01F60-1000 SR3-HY	1420	3150	240	225	1080	730	270	343	270	810	1150
SY01F60-1100 SR3-HY	1420	V	240	225	980	730	270	343	220	760	1150



SR4-HY

Spring Return Dimensions

HYDRAULIC MANUAL OVERRIDE



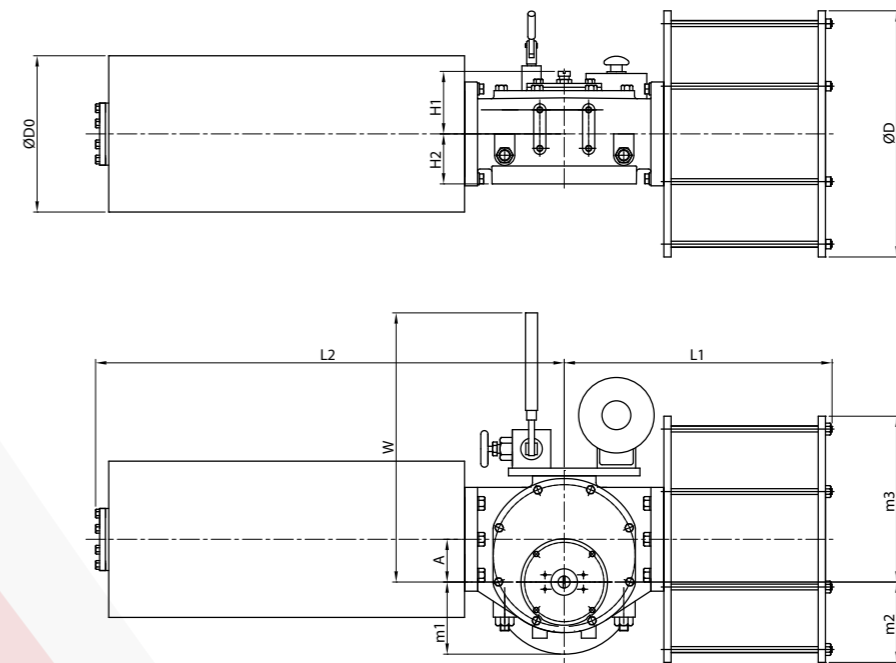
ACTUATORS DIMENSIONS

SERIES	Dimensions in mm										
	L1	L2	H1	H2	Ø D	Ø DO	A	m1	m2	m3	W
SY01F25-350 SR4-HY	582	935	130	104	415	325	90	150	117,5	297,5	690
SY01F25-400 SR4-HY	582	935	130	104	465	325	90	150	172,5	322,5	690
SY01F25-450 SR4-HY	582	935	130	104	516	426	90	150	168	348	690
SY01F30-450 SR4-HY	705	1210	153	129	516	377	110	175	148	368	785
SY01F30-500 SR4-HY	705	1210	153	129	570	377	110	175	175	395	785
SY01F30-550 SR4-HY	705	1210	153	129	620	426	110	175	200	420	785
SY01F35-550 SR4-HY	832	1570	165	149	620	508	140	207,5	170	450	860
SY01F35-600 SR4-HY	832	1570	165	149	670	508	140	207,5	195	475	860
SY01F35-700 SR4-HY	832	1570	165	149	772	508	140	207,5	246	526	860
SY01F40-600 SR4-HY	970	1810	182	176	670	530	170	237,5	165	505	930
SY01F40-700 SR4-HY	970	1810	182	176	772	530	170	237,5	165	505	930
SY01F40-800 SR4-HY	970	1810	182	176	878	630	170	237,5	165	505	930
SY01F48-800 SR4-HY	1130	2355	230	222	878	630	200	280	239	639	1010
SY01F48-900 SR4-HY	1130	2355	230	222	980	730	200	208	290	690	1010
SY01F48-1000 SR4-HY	1130	2355	230	222	1080	730	200	208	340	740	1010
SY01F60-800 SR4-HY	1420	3150	240	225	878	630	270	343	169	709	1150
SY01F60-900 SR4-HY	1420	3150	240	225	980	730	270	343	220	760	1150
SY01F60-1000 SR4-HY	1420	3150	240	225	1080	730	270	343	270	810	1150
SY01F60-1100 SR4-HY	1420	3150	240	225	980	730	270	343	220	760	1150

SR5-HY

Spring Return Dimensions

HYDRAULIC MANUAL OVERRIDE



SPRING RETURN ACTUATORS

SERIES	Dimensions in mm										
	L1	L2	H1	H2	Ø D	Ø DO	A	m1	m2	m3	W
SY01F25-350 SR5-HY	582	935	130	104	415	325	90	150	117,5	297,5	690
SY01F25-400 SR5-HY	582	935	130	104	465	325	90	150	172,5	322,5	690
SY01F25-450 SR5-HY	582	935	130	104	516	377	90	150	168	348	690
SY01F30-450 SR5-HY	705	1210	153	129	516	377	110	175	148	368	785
SY01F30-500 SR5-HY	705	1210	153	129	570	426	110	175	175	395	785
SY01F30-550 SR5-HY	705	1210	153	129	620	508	110	175	200	420	785
SY01F35-550 SR5-HY	832	1570	165	149	620	508	140	207,5	170	450	860
SY01F35-600 SR5-HY	832	1570	165	149	670	508	140	207,5	195	475	860
SY01F35-700 SR5-HY	832	1570	165	149	772	630	140	207,5	246	526	860
SY01F40-600 SR5-HY	970	1810	182	176	670	530	170	237,5	165	505	930
SY01F40-700 SR5-HY	970	1810	182	176	772	630	170	237,5	165	505	930
SY01F40-800 SR5-HY	970	1810	182	176	878	630	170	237,5	165	505	930
SY01F48-800 SR5-HY	1130	2355	230	222	878	730	200	280	239	639	1010
SY01F48-900 SR5-HY	1130	2355	230	222	980	730	200	208	290	690	1010
SY01F48-1000 SR5-HY	1130	2355	230	222	1080	730	200	208	340	740	1010
SY01F60-800 SR5-HY	1420	3150	240	225	878	730	270	343	169	709	1150
SY01F60-900 SR5-HY	1420	3150	240	225	980	730	270	343	220	760	1150
SY01F60-1000 SR5-HY	1420	3150	240	225	1080	730	270	343	270	810	1150
SY01F60-1100 SR5-HY	1420	3150	240	225	980	730	270	343	220	760	1150



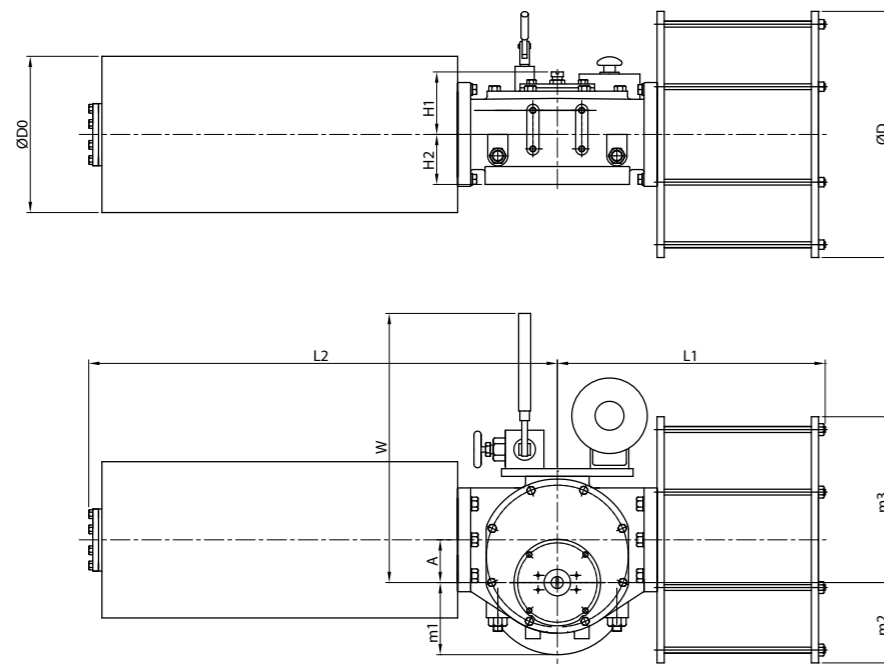
SR6-HY

Spring Return Dimensions

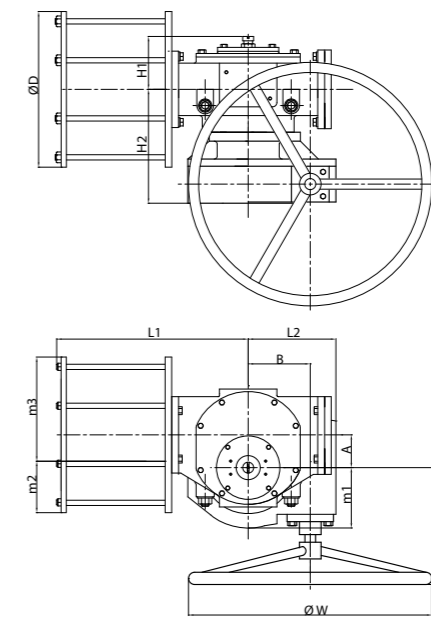
DA-HG

Double acting Dimensions

HYDRAULIC MANUAL OVERRIDE



DOUBLE EFFECT ACTUATOR WITH DECLUTCH GEAR MANUAL OVERRIDE



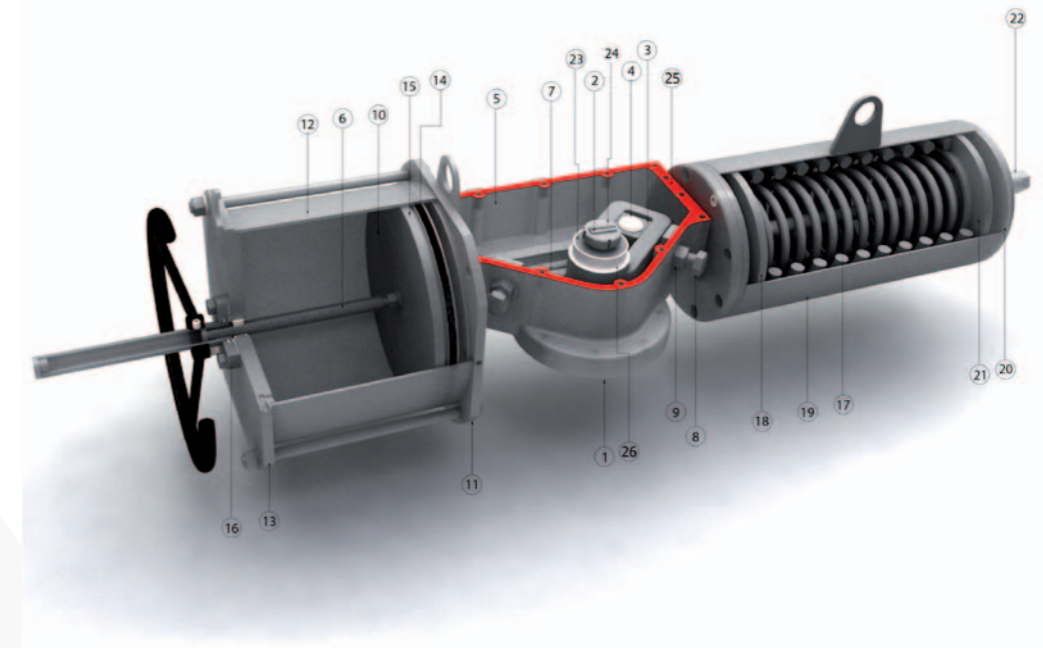
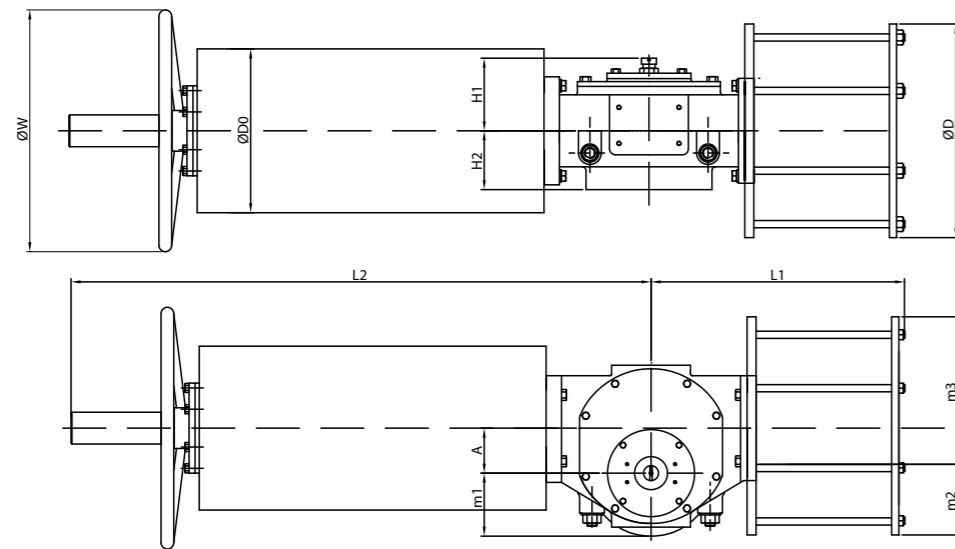
ACTUATORS DIMENSIONS

SERIES	Dimensions in mm										
	L1	L2	H1	H2	Ø D	Ø DO	A	m1	m2	m3	W
SY01F25-350 SR6-HY	582	935	130	104	415	325	90	150	117,5	297,5	690
SY01F25-400 SR6-HY	582	935	130	104	465	377	90	150	172,5	322,5	690
SY01F25-450 SR6-HY	582	935	130	104	516	426	90	150	168	348	690
SY01F30-450 SR6-HY	705	1210	153	129	516	426	110	175	148	368	785
SY01F30-500 SR6-HY	705	1210	153	129	570	508	110	175	175	395	785
SY01F30-550 SR6-HY	705	1210	153	129	620	508	110	175	200	420	785
SY01F35-550 SR6-HY	832	1570	165	149	620	508	140	207,5	170	450	860
SY01F35-600 SR6-HY	832	1570	165	149	670	630	140	207,5	195	475	860
SY01F35-700 SR6-HY	832	1570	165	149	772	630	140	207,5	246	526	860
SY01F40-600 SR6-HY	970	1810	182	176	670	630	170	237,5	165	505	930
SY01F40-700 SR6-HY	970	1810	182	176	772	630	170	237,5	165	505	930
SY01F40-800 SR6-HY	970	1810	182	176	878	730	170	237,5	165	505	930
SY01F48-800 SR6-HY	1130	2355	230	222	878	730	200	280	239	639	1010
SY01F48-900 SR6-HY	1130	2355	230	222	980	730	200	208	290	690	1010
SY01F48-1000 SR6-HY	1130	2355	230	222	1080	730	200	208	340	740	1010

ACTUATOR DIMENSIONS

SERIES	Dimensions in mm											
	L1	L2	H1	H2	Ø D	A	m1	m2	m3	B	F	Ø W
SY01F16-250 DA-HG	499	225	119	220	310	75	138	80	230	142	363	600
SY01F16-300 DA-HG	499	225	119	220	365	75	138	107,5	257,5	142	363	600
SY01F16-350 DA-HG	499	225	119	220	415	75	138	132,5	282,5	142	363	600
SY01F25-350 DA-HG	582	222	130	104	415	90	150	117,5	297,5	152	463	500
SY01F25-400 DA-HG	582	222	130	104	465	90	150	172,5	322,5	152	463	500
SY01F25-450 DA-HG	582	222	130	104	516	90	150	168	348	152	463	500

JACKSCREW OPERATOR



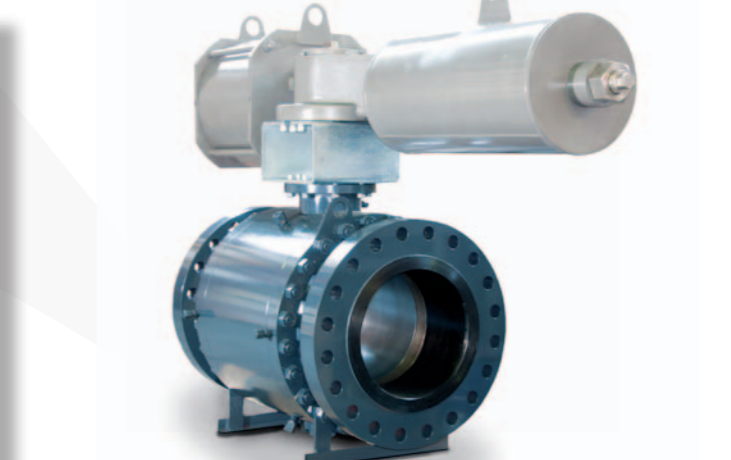
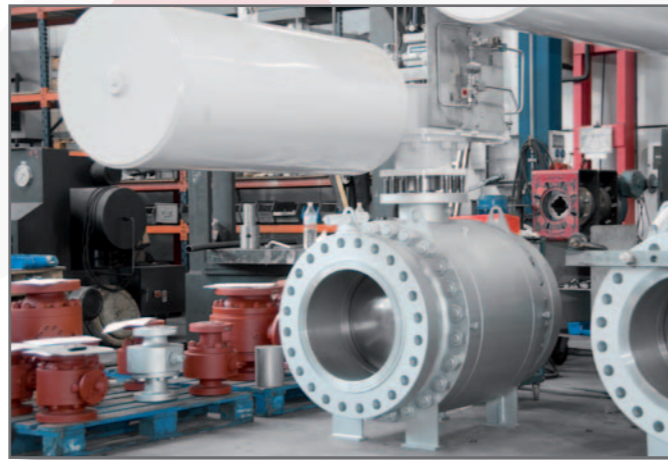
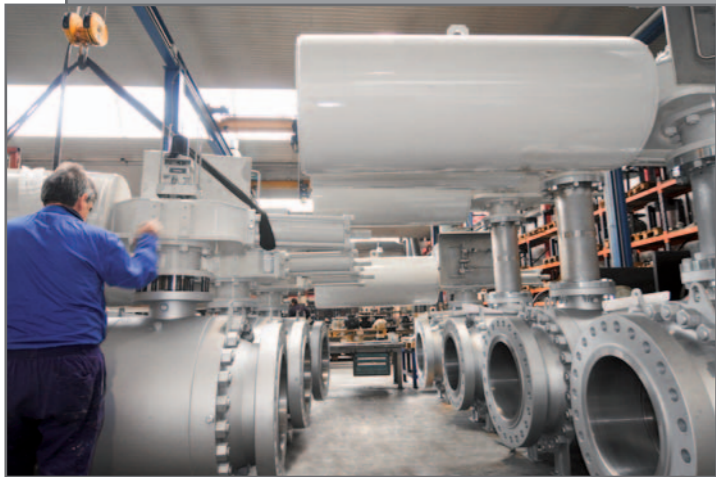
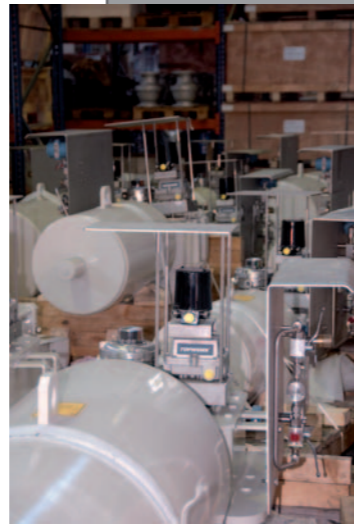
ACTUATORS DIMENSIONS

SERIES	Dimensions in mm										
	L1	L2	H1	H2	D	DO	A	m1	m2	m3	W
SY01F16-250 SR3-HW	499	775	119	98	310	219	75	105	80	230	400
SY01F16-250 SR4-HW	499	775	119	98	310	273	75	105	80	230	400
SY01F16-250 SR5-HW	499	775	119	98	310	273	75	105	80	230	400
SY01F16-250 SR6-HW	499	775	119	98	310	273	75	105	80	230	400
SY01F16-300 SR3-HW	499	775	119	98	365	273	75	105	107,5	257,5	600
SY01F16-300 SR4-HW	499	775	119	98	365	273	75	105	107,5	257,5	600
SY01F16-300 SR5-HW	499	775	119	98	365	325	75	105	107,5	257,5	600
SY01F16-300 SR6-HW	499	775	119	98	365	325	75	105	107,5	257,5	600
SY01F16-350 SR3-HW	499	775	119	98	415	273	75	105	132,5	282,5	600
SY01F16-350 SR4-HW	499	775	119	98	415	325	75	105	132,5	282,5	600
SY01F16-350 SR5-HW	499	775	119	98	415	325	75	105	132,5	282,5	600
SY01F16-350 SR6-HW	499	775	119	98	415	325	75	105	132,5	282,5	600

1	Centerbody	Carbon steel or Ductile Iron
2	Yoke	Carbon steel
3	Sliding block	Alloy steel
4	Guide block	Alloy steel or Ductile Iron
5	Centerbody cover	Carbon steel or Ductile Iron
6	Piston rod	Alloy steel (chromium plated)
7	Spring rod	Alloy steel (chromium plated)
8	Stop bolt	Carbon Steel or Stainless Steel
9	Stop nut	Carbon steel
10	Piston	Carbon steel or Ductile Iron
11	Cylinder head flange	Carbon steel
12	Cylinder tube	Carbon steel
13	End flange	Carbon steel
14	Piston sliding ring	PTFE + graphite
15	Piston o-ring	NBR
16	Cylinder end cover	Carbon steel
17	Spring	Carbon steel
18	Spring head flange	Carbon steel
19	Spring tube	Carbon steel
20	Spring end flange	Carbon steel
21	Cylinder stroke regulation	Carbon Steel or Stainless Steel
22	Regulation nut	Carbon Steel or Stainless Steel
23	Upper cover	Carbon steel
24	Position indicator	Polyamide
25	Cover gasket	Fiber
26	Yoke bushing	Self-lubricated Carbon steel



Pictures Gallery





ACTREG N.A., Montreal

ACTREG UK, Kettering

Headquarters
ACTREG Spain, Barcelona

ACTREG China, Shanghai

ACTREG do Brasil, Sorocaba (SP)



ACTREG, S.A.
C/ Cantabria, 2
Poligono Industrial Les Salines
08830 Sant Boi de Llobregat
Barcelona (Spain)
Phone : + 34 93 661 44 10
Fax: + 34 93 654 33 93
e-mail: actreg@actreg.com
www.actreg.com



Global Supply Line is Australian agent & stockist
for Actreg
Full stock list online www.globalsupplyline.com.au

Contact email: sales@globalsupplyline.com.au