



AIR TORQUE

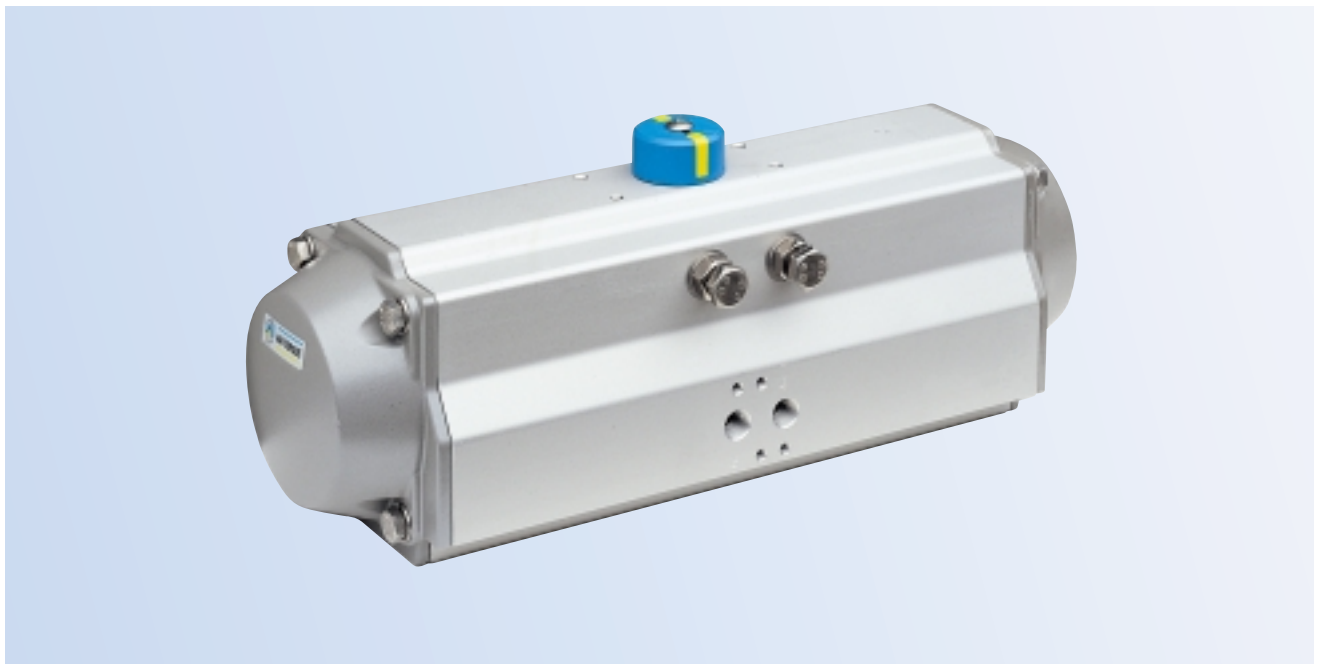
Head office and Works:
AIR TORQUE
Via Palazzo - 24061 Albano S.A. (BG) Italy
Tel.: +39 035 582277 - Fax: +39 035 580164
E-mail: info@airtorque.it
Internet: www.airtorque.it



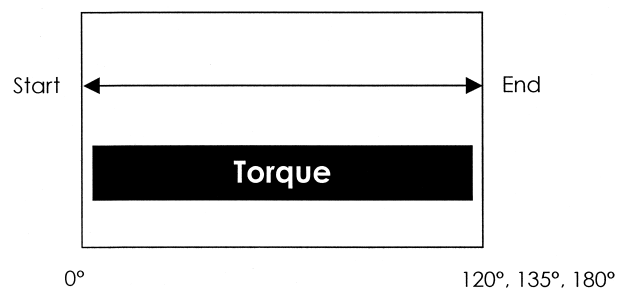
120°, 135°, 180° DOUBLE ACTING ACTUATOR 4thG

AIR TORQUE 120°, 135°, 180° double acting 4th Generation actuators provide rotations of 120°, 135° or 180°. The external travel stop is available as a standard in fully open position (120°, 135° or 180°) and in fully close position (0°), and it is easily and precisely adjustable of +/- 4° in both directions.

Fields of application: 3 or 4 way valves, special valves for sample taking and any applications where a 120°, 135° or 180° rotation is required.



Torque Diagram for Double Acting Actuator 120°, 135°, 180°



When ordering 120°, 135°, 180° Rotation Double Acting Actuator add:

- For 120° “**2**” (Ex. AT 302 D A F07 17) to the standard actuator code
- For 135° “**3**” (Ex. AT 303 D A F07 17) to the standard actuator code
- For 180° “**8**” (Ex. AT 308 D A F07 17) to the standard actuator code

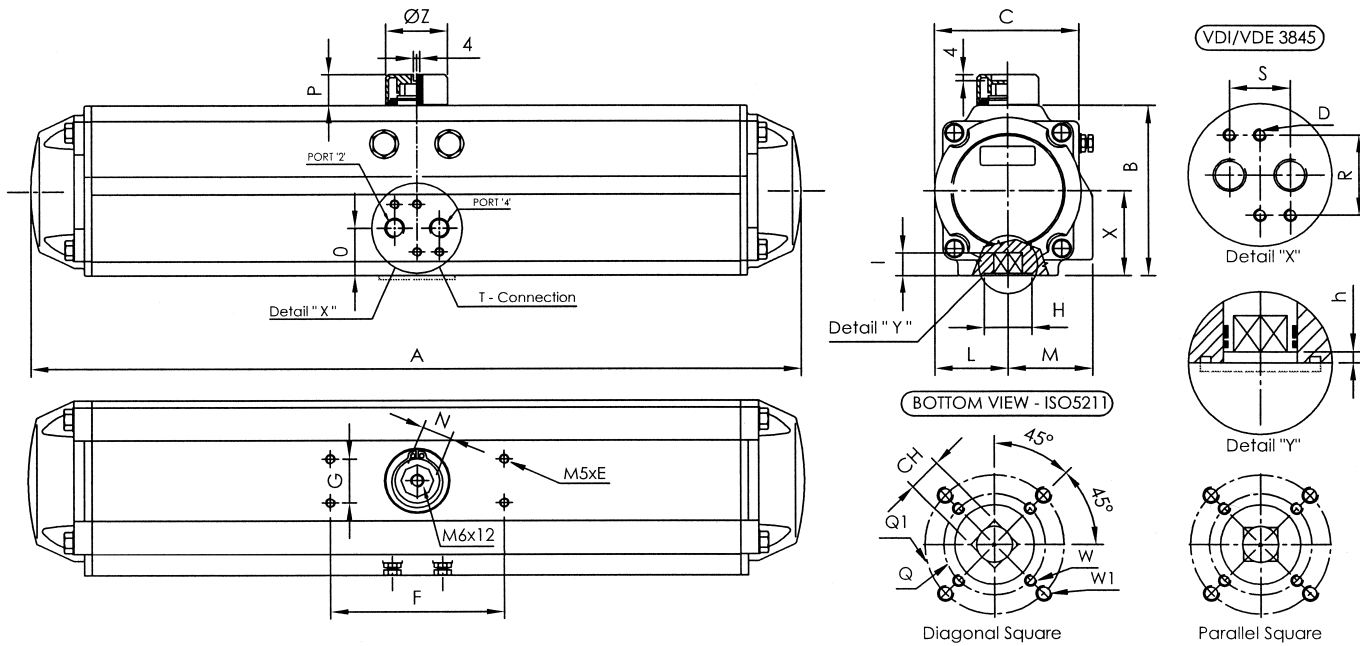


Global Supply Line - Agents & major stockists Australia, New Zealand & PNG.
Contact us: sales@globalsupplyline.com.au Website: globalsupplyline.com.au



AIR TORQUE

Head office and Works:
AIR TORQUE
 Via Palazzo - 24061 Albano S.A. (BG) Italy
 Tel.: +39 035 582277 - Fax: +39 035 580164
 E-mail: info@airtorque.it
 Internet: www.airtorque.it



DIMENSIONS IN mm

ACTUATOR MODEL	Type	A	B	C	D	E	F	G	H	I min.	L	M	N	O	P	Q	Q1	R	S	W	W1	T - ISO 228	ISO Flange*	CH*	h min.	X	Z	Approx. Weight (Kg)	
AT052 D	120°	157																											1,2
AT053 D	135°	169	69	59	M5x8	4	80	30	30	12	29	41,5	11	26,5	20	42	-	32	24	M5	-	1/8"	F04	11	0,5	34,5	40	1,35	
AT058 D	180°	197																											1,5
AT102 D	120°	177																											2
AT103 D	135°	190	85	72	M5x8	8	80	30	35	16	36	47	11	30	20	50	-	32	24	M6	-	1/8"	F05	14	0,5	42,5	40	2,25	
AT108 D	180°	221																											2,5
AT202 D	120°	236																											3,4
AT203 D	135°	254	102	84,5	M5x8	8	80	30	35	16	42,5	52	19	30,5	20	50	-	32	24	M6	-	1/8"	F05	14	1,5	51	40	3,9	
AT208 D	180°	298																											4,4
AT252 D	120°	270																											4,6
AT253 D	135°	292	115	97,5	M5x8	8	80	30	55	19	49,5	56,8	19	32,5	20	70	-	32	24	M8	-	1/8"	F07	17	1,5	57,5	40	5,3	
AT258 D	180°	342																											6
AT302 D	120°	301																											6,6
AT303 D	135°	325	127	111	M5x8	8	80	30	55	19	56	67	19	37,5	20	70	-	32	24	M8	-	1/4"	F07	17	1,5	63,5	40	7,3	
AT308 D	180°	381																											8,1
AT352 D	120°	356																											10,3
AT353 D	135°	385	145	127	M5x8	8	80	30	70	24	64	77	27	42,5	30	102	-	32	24	M10	-	1/4"	F10	22	1,5	72,5	40	11,5	
AT358 D	180°	454																											12,8
AT402 D	120°	389																											12,3
AT403 D	135°	420	157	136	M5x8	8	80	30	70	24	69,5	82	27	45	30	102	-	32	24	M10	-	1/4"	F10	22	1,5	78,5	56/65	13,8	
AT408 D	180°	495																											15,4
AT502 D	120°	493																											24,6
AT503 D	135°	532	196	169	M5x8	8	80	30	85	29	88	99	27	52	30	125	-	32	24	M12	-	1/4"	F12	27	1,5	98	65	27	
AT508 D	180°	626																											29,5
AT602 D	120°	609																											44
AT603 D	135°	656	245	213	M5x8	8	130	30	100	38	110	112	42	62	50	140	-	32	24	M16	-	1/4"	F14	36	2	122	80/115	48,5	
AT608 D	180°	769																											53

*Notes: Other connections available.

METRIC TORQUE RATINGS

Model*	DOUBLE ACTING TORQUE RATINGS IN Nm											
	Supply Pressure:	2,5 Bar	3 Bar	3,5 Bar	4 Bar	4,2 Bar	4,5 Bar	5 Bar	5,5 Bar	6 Bar	7 Bar	8 Bar
AT052 / AT053 / AT058 D		8,3	10,0	11,6	13,3	14,0	15,0	16,6	18,3	19,9	23,3	26,6
AT102 / AT103 / AT108 D		14,7	17,6	20,5	23,5	24,6	26,4	29,3	32,2	35,2	41,0	46,9
AT202 / AT203 / AT208 D		29,1	34,9	40,7	46,5	48,9	52,4	58,2	64,0	69,8	81,4	93,1
AT252 / AT253 / AT258 D		45,8	54,9	64,1	73,2	76,9	82,4	91,5	101	110	128	146
AT302 / AT303 / AT308 D		66,5	79,8	93,1	106	112	120	133	146	160	186	213
AT352 / AT353 / AT358 D		107	129	150	172	181	193	215	236	258	301	344
AT402 / AT403 / AT408 D		138	166	194	222	233	249	277	305	332	388	443
AT502 / AT503 / AT508 D		284	340	397	454	477	511	567	624	681	794	908
AT602 / AT603 / AT608 D		532	638	745	851	893	957	1064	1170	1276	1489	1702

*Notes: Other models available.