



**AIR TORQUE**

**AIR TORQUE S.p.A.**  
 via alla Campagna, n°1  
 24060 Costa di Mezzate (Bg) Italy  
 Tel.: +39 035 682 299  
 Fax.: +39 035 687 791  
 E-mail: info@airtorque.it

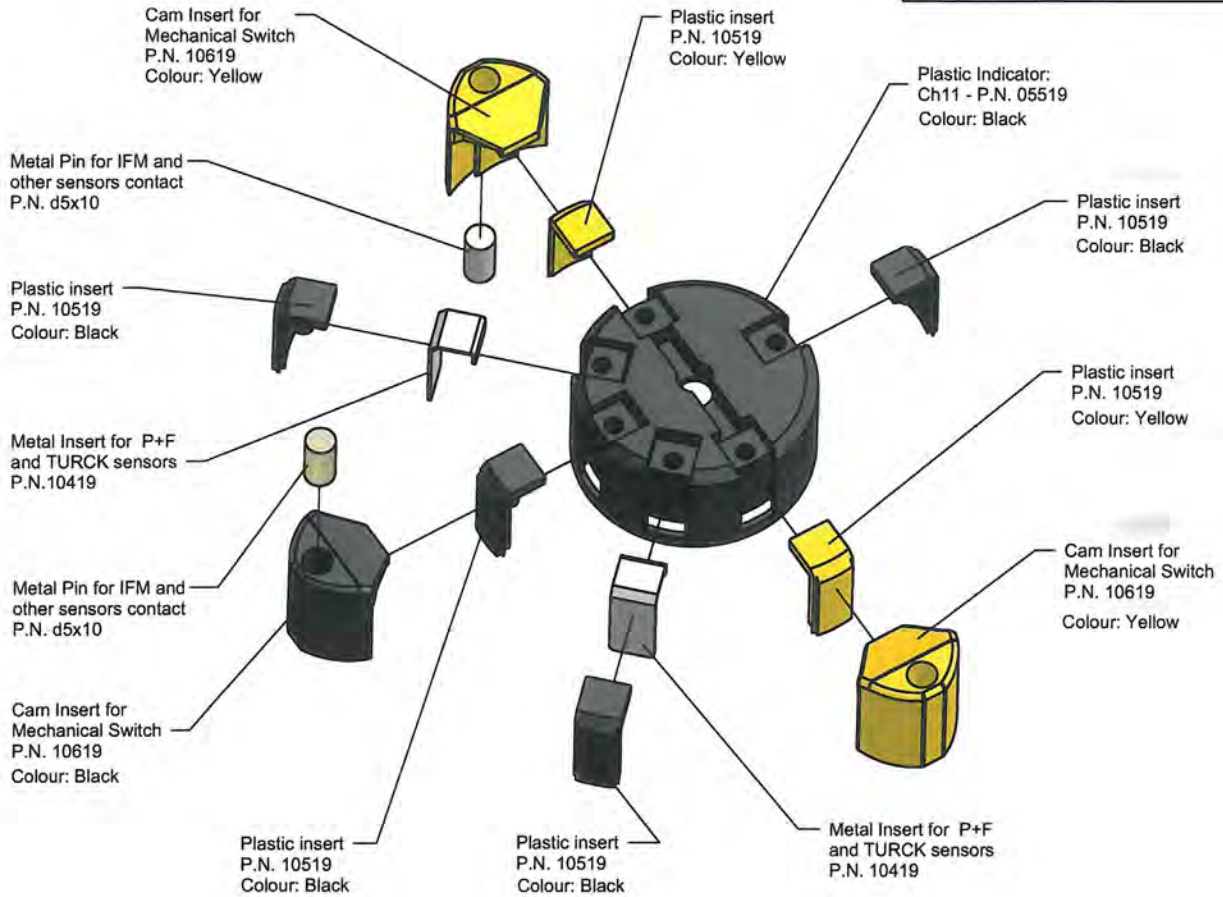
T.D.S. n° U00003E

Issued on: 12/09 - Page 1/2

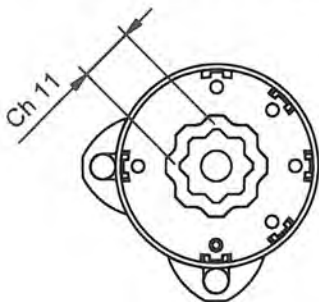
**MULTIFUNCTION INDICATOR FOR ATEX VERSION FOR AIR TORQUE  
 ACTUATORS Upgrade Series (AT045U + AT101U) AND PT B Series (PT045 B + PT100 B) D/S**

**COMPONENTS**

**NOTE:**  
 The Cap Screw (Stainless Steel or Plastic) supplied with the position indicator depends on the model of indicator shown at page 2/2.

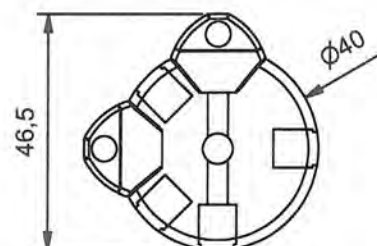
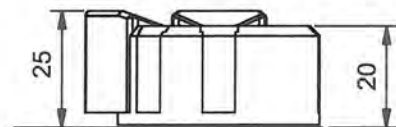


**INDICATOR MODEL**



**P.N. 05519**  
**Indicator for model**  
**AT045U/PT045 B + AT101U/PT100 B**

**DIMENSIONS (mm)**







**AIR TORQUE**

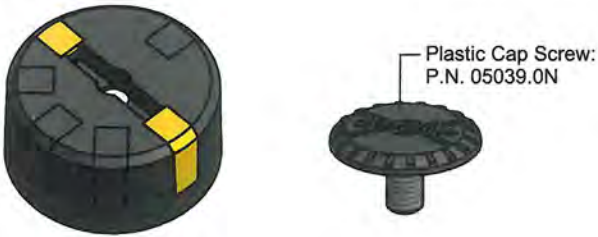
**AIR TORQUE S.p.A.**  
 via alla Campagna, n°1  
 24060 Costa di Mezzate (Bg) Italy  
 Tel.: +39 035 682 299  
 Fax.: +39 035 687 791  
 E-mail: info@airtorque.it

T.D.S. n° U00003E

Issued on: 12/09 - Page 2/2

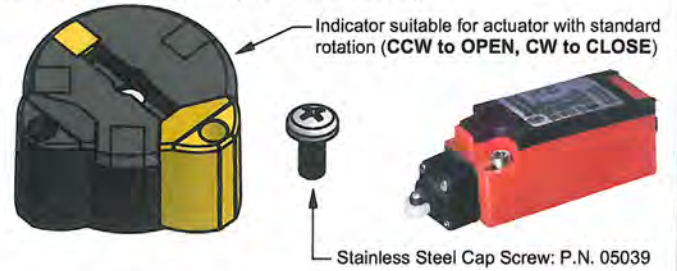
**MULTIFUNCTION INDICATOR FOR ATEX VERSION FOR AIR TORQUE ACTUATORS Upgrade Series (AT045U ÷ AT101U) AND PT B Series (PT045 B ÷ PT100 B) D/S**

**STANDARD indicator**



For model AT045U/PT045 B ÷ AT101U/PT100 B : P.N. 05819A > Black/Yellow

**Indicator suitable for MECHANICAL LIMIT SWITCH**  
 Plate P.N. 250 is requested (see Table n°ICQ-M)



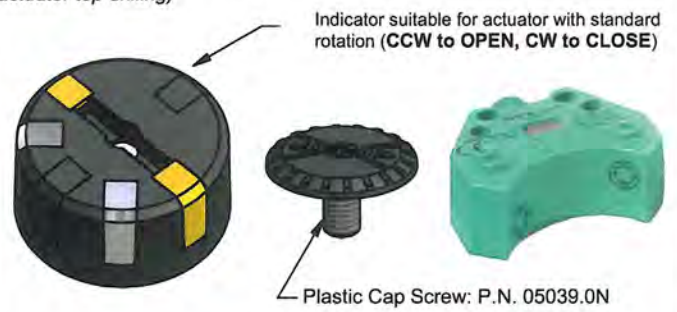
For model AT045U/PT045 B ÷ AT101U/PT100 B : P.N. 05819A-M > Black/Yellow

**Indicator suitable for IFM and other PROXIMITY SWITCH (directly fitted on actuator top drilling)**



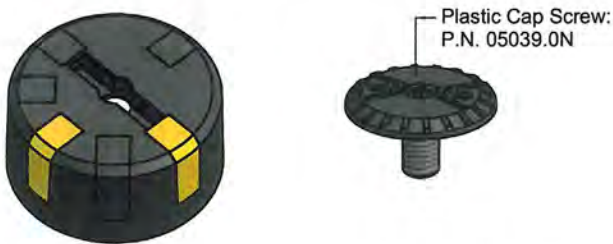
For model AT045U/PT045 B ÷ AT101U/PT100 B : P.N. 05819A-S > Black/Yellow

**Indicator for PROXIMITY SWITCH (P+F, TURCK, etc... directly fitted on actuator top drilling)**



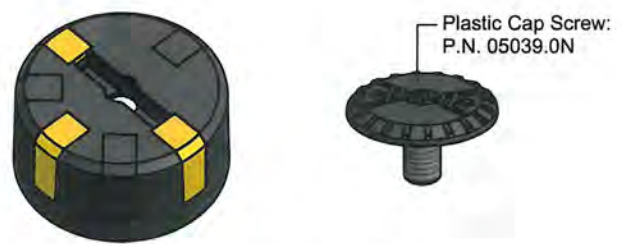
For model AT045U/PT045 B ÷ AT101U/PT100 B : P.N. 05819A-P > Black/Yellow

**Indicator for MULTIPOINT VALVE indication ( L type )**



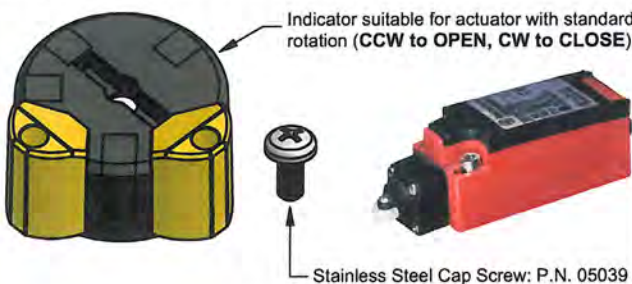
For model AT045U/PT045 B ÷ AT101U/PT100 B : P.N. 05819A-L > Black/Yellow

**Indicator for MULTIPOINT VALVE indication ( T type )**



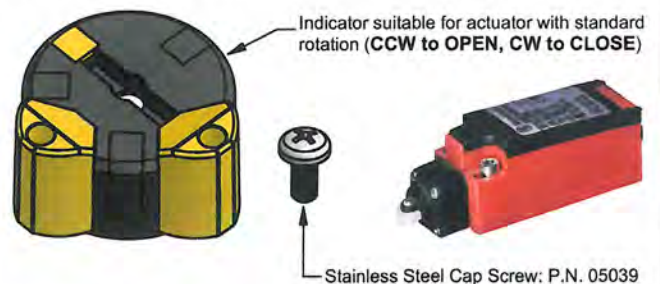
For model AT045U/PT045 B ÷ AT101U/PT100 B : P.N. 05819A-T > Black/Yellow

**Indicator for MULTIPOINT VALVE indication ( L type ) with MECHANICAL SWITCH. Plate P.N. 250 is requested (see Table n°ICQ-M)**



For model AT045U/PT045 B ÷ AT101U/PT100 B : P.N. 05819A-ML > Black/Yellow

**Indicator for MULTIPOINT VALVE indication ( T type ) with MECHANICAL SWITCH. Plate P.N. 250 is requested (see Table n°ICQ-M)**



For model AT045U/PT045 B ÷ AT101U/PT100 B : P.N. 05819A-MT > Black/Yellow

**Other versions for different applications available.**

This data sheet is property of AIR TORQUE S.p.A. Costa di Mezzate - Italy and all rights of use and reproduction are reserved.  
 Due to continuous development product data is subject to change without prior notice.





# AIR TORQUE

**AIR TORQUE S.p.A.**  
 via alla Campagna, n°1  
 24060 Costa di Mezzate (Bg) Italy  
 Tel.: +39 035 682 299  
 Fax.: +39 035 687 791  
 E-mail: info@airtorque.it



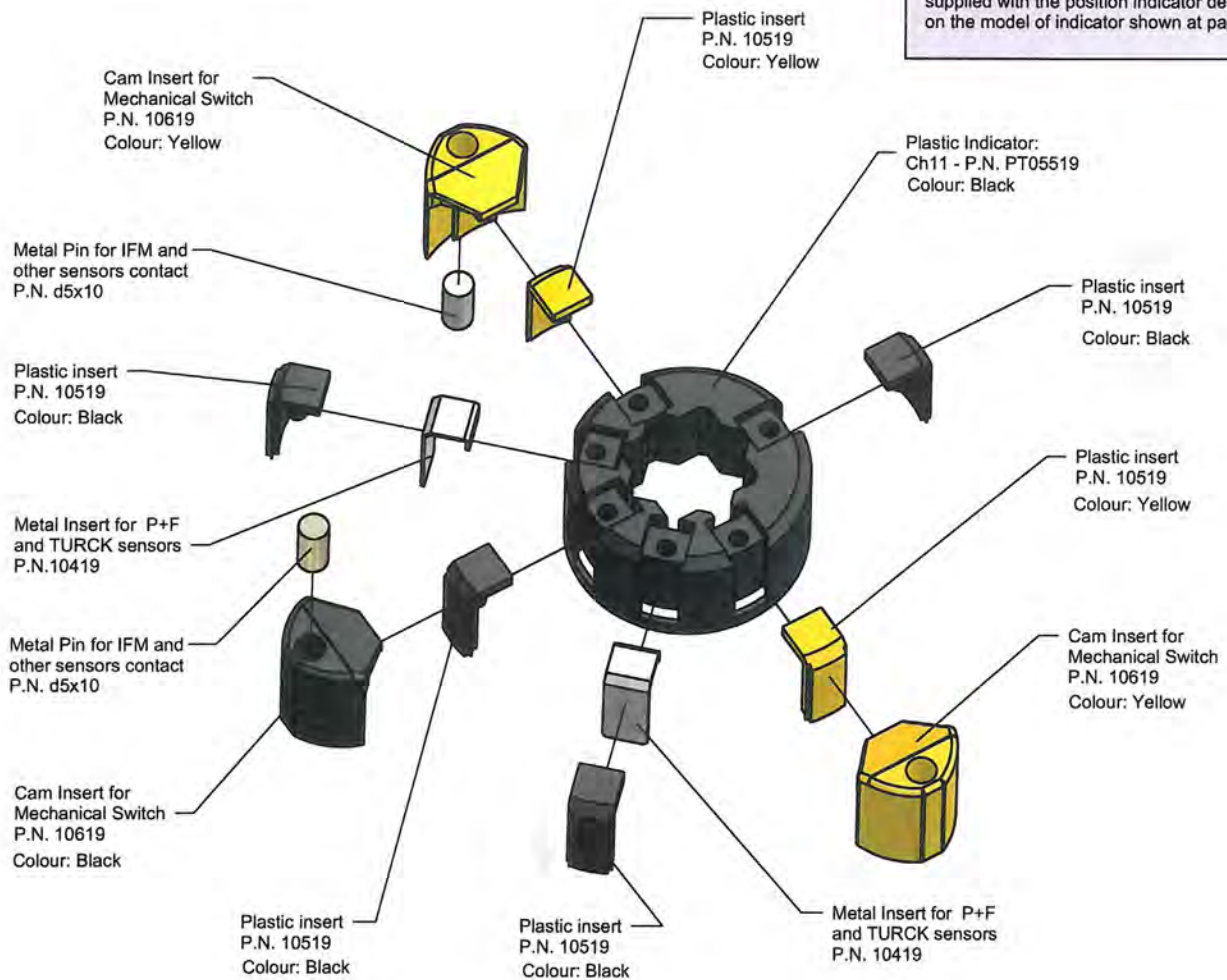
T.D.S. n° U00004E

Issued on: 12/09 - Page 1/2

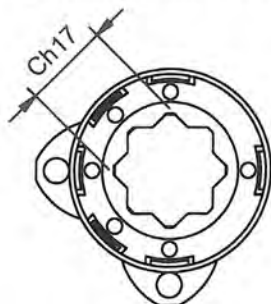
## MULTIFUNCTION INDICATOR SUITABLE FOR ATEX VERSION FOR AIR TORQUE ACTUATORS *Upgrade Series (AT201U ÷ AT301U) AND PT B Series (PT200 B ÷ PT300 B) D/S*

### COMPONENTS

**NOTE:**  
 The Cap Screw (Stainless Steel or Plastic) supplied with the position indicator depends on the model of indicator shown at page 2/2.

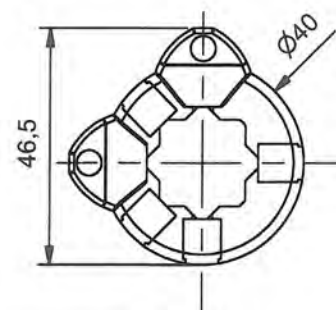
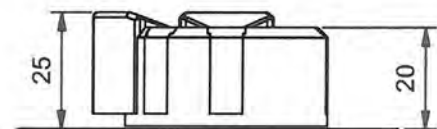


### INDICATOR MODEL



**P.N. PT20519**  
 Indicator for AT201U/PT200 B,  
 AT251U/PT250 B and AT301U/PT300 B

### DIMENSIONS (mm)







# AIR TORQUE

**AIR TORQUE S.p.A.**  
 via alla Campagna, n°1  
 24060 Costa di Mezzate (Bg) Italy  
 Tel.: +39 035 682 299  
 Fax.: +39 035 687 791  
 E-mail: info@airtorque.it



T.D.S. n° U00004E

Issued on: 12/09 - Page 2/2

## MULTIFUNCTION INDICATOR SUITABLE FOR ATEX VERSION FOR AIR TORQUE ACTUATORS Upgrade Series (AT201U ÷ AT301U) AND PT B Series (PT200 B ÷ PT300 B) D/S

### STANDARD indicator



For model AT201U/PT200 B - AT251U/PT250 B - AT301U/PT300 B : P.N. **PT2019A**

### Indicator suitable for MECHANICAL LIMIT SWITCH Plate P.N. 250 is requested (see Table n°ICPT-M)



Indicator suitable for actuator with standard rotation (CCW to OPEN, CW to CLOSE)



S.S. Cap Screw P.N. 05039 and  
S.S. Washer P.N. PT05039A



For model AT201U/PT200 B - AT251U/PT250 B - AT301U/PT300 B : P.N. **PT2019A-M**

### Indicator suitable for IFM and other PROXIMITY SWITCH (directly fitted on actuator top drilling)



Indicator suitable for actuator with standard rotation (CCW to OPEN, CW to CLOSE)



Metal Pin



S.S. Cap Screw P.N. 05039 and  
S.S. Washer P.N. PT05039A

For model AT201U/PT200 B - AT251U/PT250 B - AT301U/PT300 B : P.N. **PT2019A-S**

### Indicator for PROXIMITY SWITCH (P+F, TURCK, etc... directly fitted on actuator top drilling)



Indicator suitable for actuator with standard rotation (CCW to OPEN, CW to CLOSE)



Plastic Cap Screw: P.N. 05039.0N



For model AT201U/PT200 B - AT251U/PT250 B - AT301U/PT300 B : P.N. **PT2019A-P**

### Indicator for MULTIPOINT VALVE indication ( L type )



For model AT201U/PT200 B - AT251U/PT250 B - AT301U/PT300 B : P.N. **PT2019A-L**

### Indicator for MULTIPOINT VALVE indication ( T type )



For model AT201U/PT200 B - AT251U/PT250 B - AT301U/PT300 B : P.N. **PT2019A-T**

### Indicator for MULTIPOINT VALVE indication ( L type ) with MECHANICAL SWITCH. Plate P.N. 250 is requested (see Table n°ICPT-M)



Indicator suitable for actuator with standard rotation (CCW to OPEN, CW to CLOSE)



S.S. Cap Screw P.N. 05039 and  
S.S. Washer P.N. PT05039A



For model AT201U/PT200 B - AT251U/PT250 B - AT301U/PT300 B : P.N. **PT2019A-ML**

### Indicator for MULTIPOINT VALVE indication ( T type ) with MECHANICAL SWITCH. Plate P.N. 250 is requested (see Table n°ICPT-M)



Indicator suitable for actuator with standard rotation (CCW to OPEN, CW to CLOSE)



S.S. Cap Screw P.N. 05039 and  
S.S. Washer P.N. PT05039A



For model AT201U/PT200 B - AT251U/PT250 B - AT301U/PT300 B : P.N. **PT2019A-MT**

Other versions for different applications available.



# AIR TORQUE

**AIR TORQUE S.p.A.**  
 via alla Campagna, n°1  
 24060 Costa di Mezzate (Bg) Italy  
 Tel.: +39 035 682 299  
 Fax.: +39 035 687 791  
 E-mail: info@airtorque.it

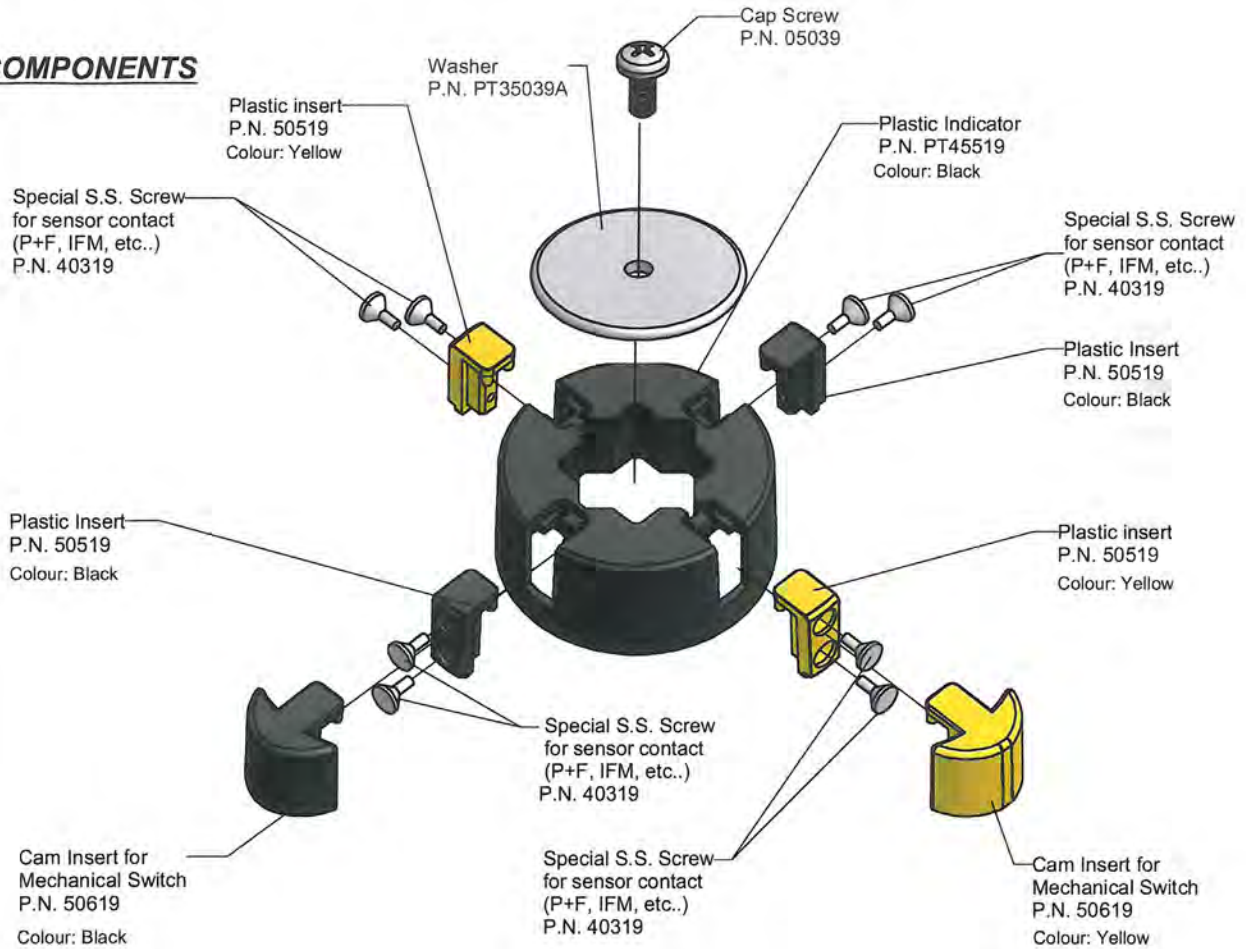


T.D.S. n° U00005E

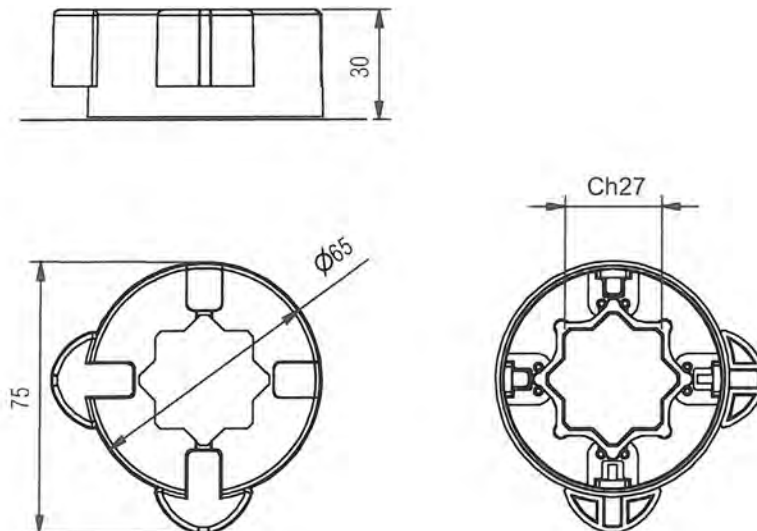
Issued on: 04/11 - Page 1/2

## MULTIFUNCTION INDICATOR SUITABLE FOR ATEX VERSION FOR AIR TORQUE ACTUATORS *Upgrade Series (AT351U ÷ AT501U) AND PT B Series (PT350 B ÷ PT500 B) D/S*

### COMPONENTS



### DIMENSIONS (mm)







**AIR TORQUE**

**AIR TORQUE S.p.A.**  
 via alla Campagna, n°1  
 24060 Costa di Mezzate (Bg) Italy  
 Tel.: +39 035 682 299  
 Fax.: +39 035 687 791  
 E-mail: info@airtorque.it



T.D.S. n° U00005E

Issued on: 04/11 - Page 2/2

**MULTIFUNCTION INDICATOR SUITABLE FOR ATEX VERSION FOR AIR TORQUE ACTUATORS Upgrade Series (AT351U ÷ AT501U) AND (PT350 B ÷ PT500 B) D/S**

**STANDARD** indicator



P.N. PT4519A

Indicator suitable for **MECHANICAL LIMIT SWITCH**  
 Plate P.N. 250 is requested (see Table n°ICPT-M)



P.N. PT4519A-M

Indicator suitable for actuator with standard rotation (CCW to OPEN, CW to CLOSE)



Indicator suitable for:  
**P+F** (directly fitted on actuator top drilling)  
**IFM PROXIMITY SWITCH** (Plate P.N. 250 is requested - see Table n°IPXPT-IFM)

Special S.S. Screw for contact



Indicator suitable for actuator with standard rotation (CCW to OPEN, CW to CLOSE)



P.N. PT4519A-S

Indicator for **MULTIPOINT VALVE** indication ( L type )



P.N. PT4519A-L

Indicator for **MULTIPOINT VALVE** indication ( T type )



P.N. PT4519A-T

Indicator for **MULTIPOINT VALVE** indication ( L type ) with **MECHANICAL SWITCH**. Plate P.N. 250 is requested (see Table n°ICPT-M)



Indicator suitable for actuator with standard rotation (CCW to OPEN, CW to CLOSE)



P.N. PT4519A-ML

Indicator for **MULTIPOINT VALVE** indication ( T type ) with **MECHANICAL SWITCH**. Plate P.N. 250 is requested (see Table n°ICPT-M)



Indicator suitable for actuator with standard rotation (CCW to OPEN, CW to CLOSE)



P.N. PT4519A-MT

**Other versions for different applications available.**



# AIR TORQUE

**AIR TORQUE S.p.A.**  
 via alla Campagna, n°1  
 24060 Costa di Mezzate (Bg) Italy  
 Tel.: +39 035 682 299  
 Fax.: +39 035 687 791  
 E-mail: info@airtorque.it

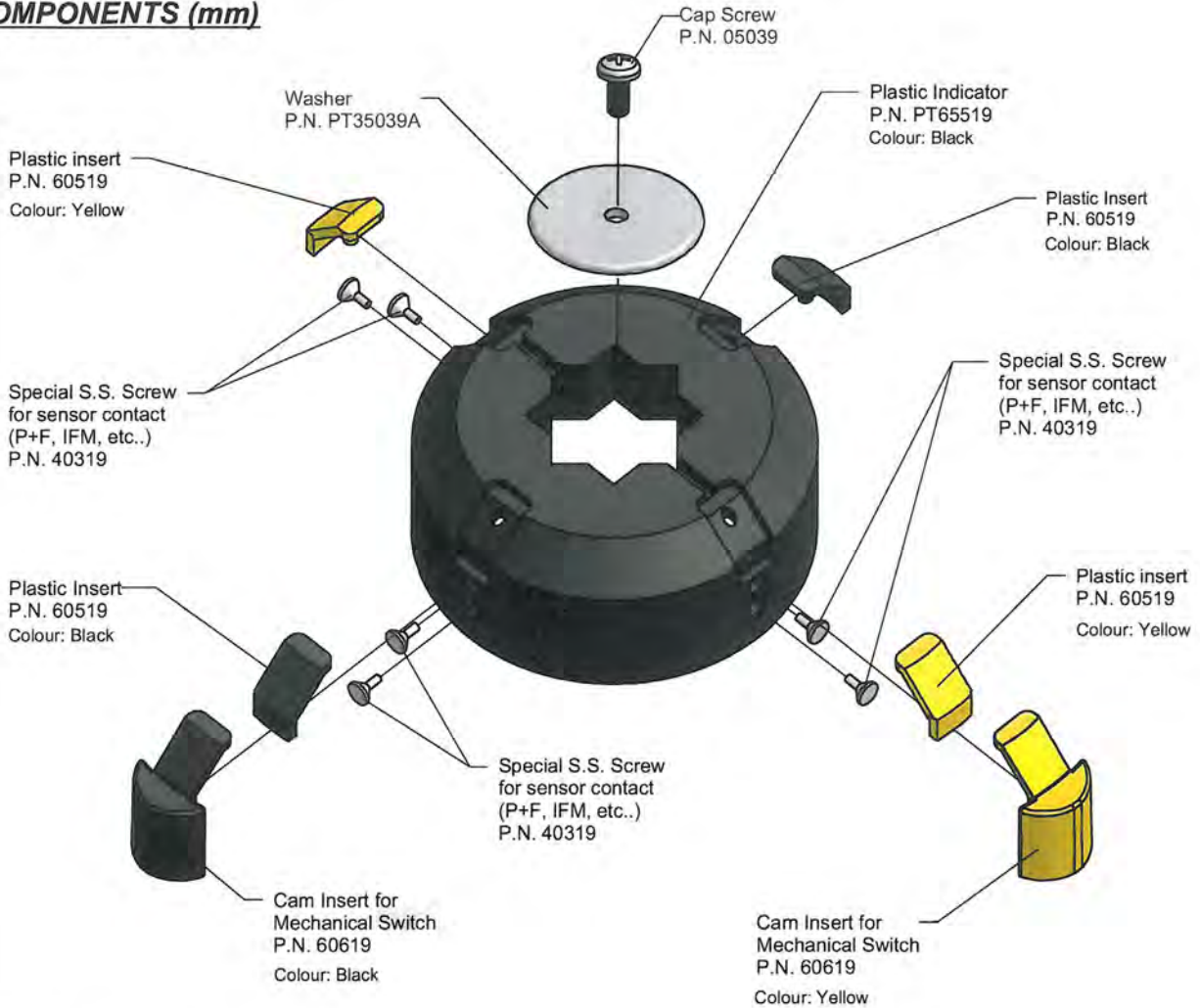


T.D.S. n° U00006E

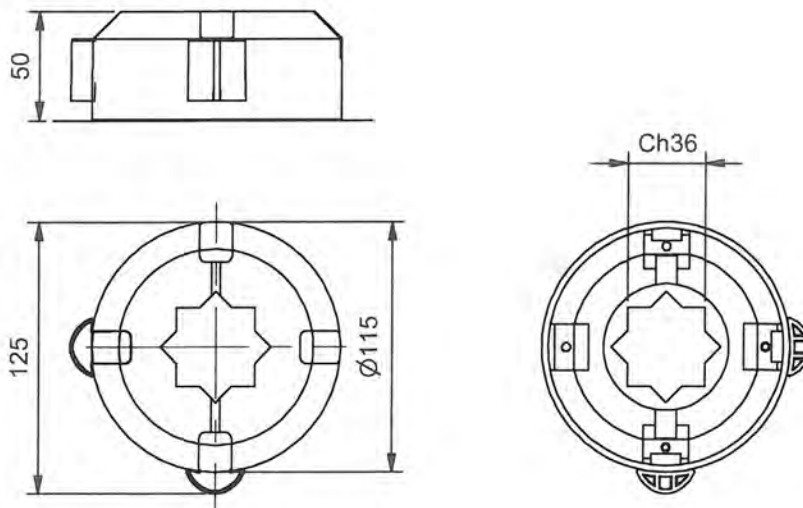
Issued on: 04/11 - Page 1/2

## MULTIFUNCTION INDICATOR SUITABLE FOR ATEX VERSION FOR AIR TORQUE ACTUATORS Upgrade Series (AT551U ÷ AT1001U) AND PT B Series (PT550 B ÷ PT1000 B) D/S

### COMPONENTS (mm)



### DIMENSIONS (mm)







**AIR TORQUE**

**AIR TORQUE S.p.A.**  
 via alla Campagna, n°1  
 24060 Costa di Mezzate (Bg) Italy  
 Tel.: +39 035 682 299  
 Fax.: +39 035 687 791  
 E-mail: info@airtorque.it



T.D.S. n° U00006E

Issued on: 04/11 - Page 2/2

**MULTIFUNCTION INDICATOR SUITABLE FOR ATEX VERSION FOR AIR TORQUE ACTUATORS Upgrade Series (AT551U ÷ AT1001U) AND PT B Series (PT550 B ÷ PT1000 B) D/S**

**STANDARD** indicator



P.N. PT6519A

Indicator suitable for **MECHANICAL LIMIT SWITCH**  
 Plate P.N. 250 is requested (see Table n°ICPT-M)



P.N. PT6519A-M

Indicator suitable for actuator with standard rotation (CCW to OPEN, CW to CLOSE)



Indicator suitable for:  
**P+F** (directly fitted on actuator top drilling)  
**IFM PROXIMITY SWITCH** (Plate P.N. 250 is requested - see Table n°IPXPT-IFM)

Special S.S. Screw for contact



P.N. PT6519A-S

Indicator suitable for actuator with standard rotation (CCW to OPEN, CW to CLOSE)



Indicator for **MULTIPOINT VALVE** indication ( L type )



P.N. PT6519A-L

Indicator for **MULTIPOINT VALVE** indication ( T type )



P.N. PT6519A-T

Indicator for **MULTIPOINT VALVE** indication ( L type ) with **MECHANICAL SWITCH**. Plate P.N. 250 is requested (see Table n°ICPT-M)



P.N. PT6519A-ML

Indicator suitable for actuator with standard rotation (CCW to OPEN, CW to CLOSE)



Indicator for **MULTIPOINT VALVE** indication ( T type ) with **MECHANICAL SWITCH**. Plate P.N. 250 is requested (see Table n°ICPT-M)



P.N. PT6519A-MT

Indicator suitable for actuator with standard rotation (CCW to OPEN, CW to CLOSE)



**Other versions for different applications available.**