



Steam jacketed (PN 10) Ball Valves PN 16/40 Stainless Steel Construction

Index

JACKETED BODY AND CONNECTOR

WEAR-RESISTANT SEATS

COMPACT DESIGN

EASY TO INSULATE



Fig. 553 - IIS

EN 1983

Manufacturing program:

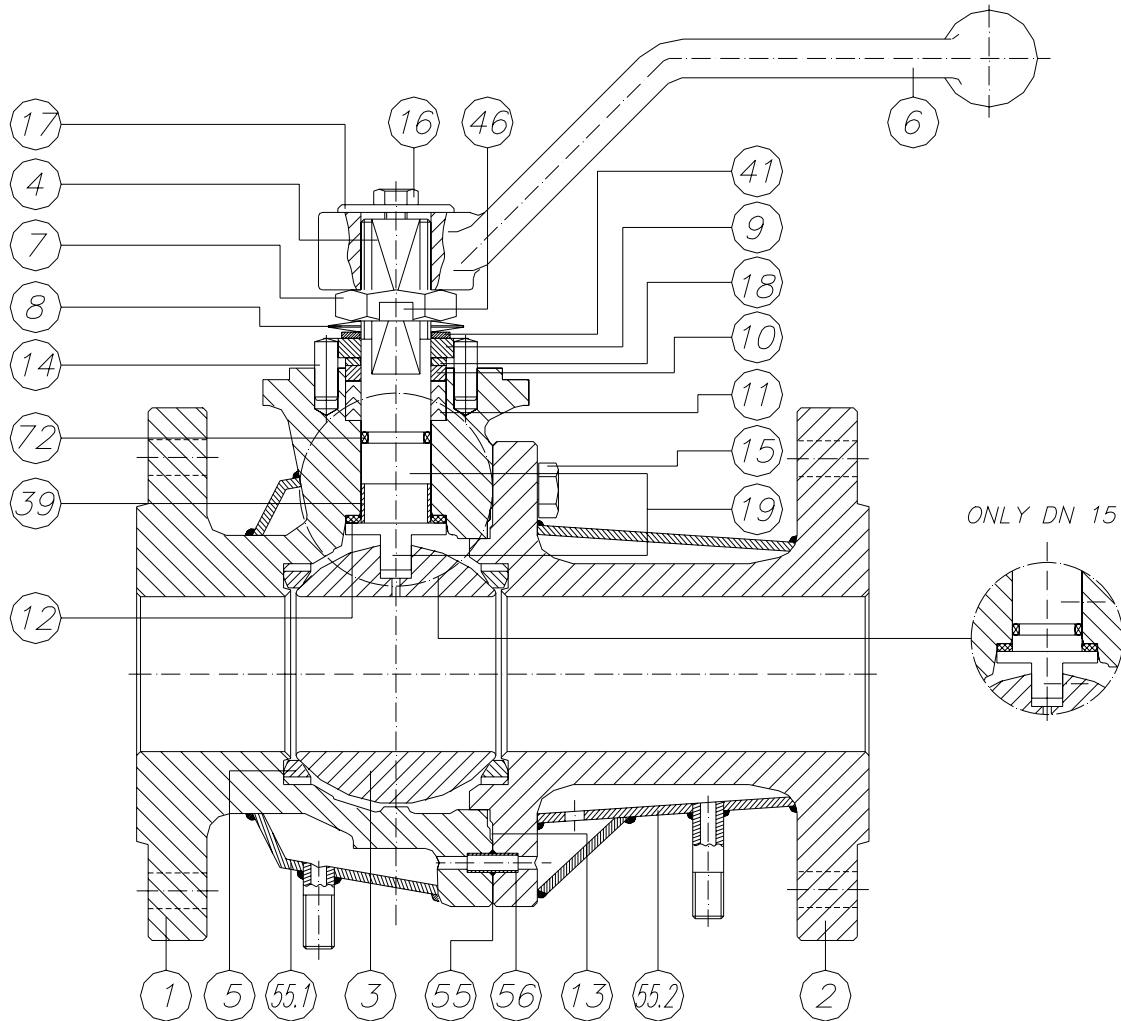


Quality & Environmental Management:





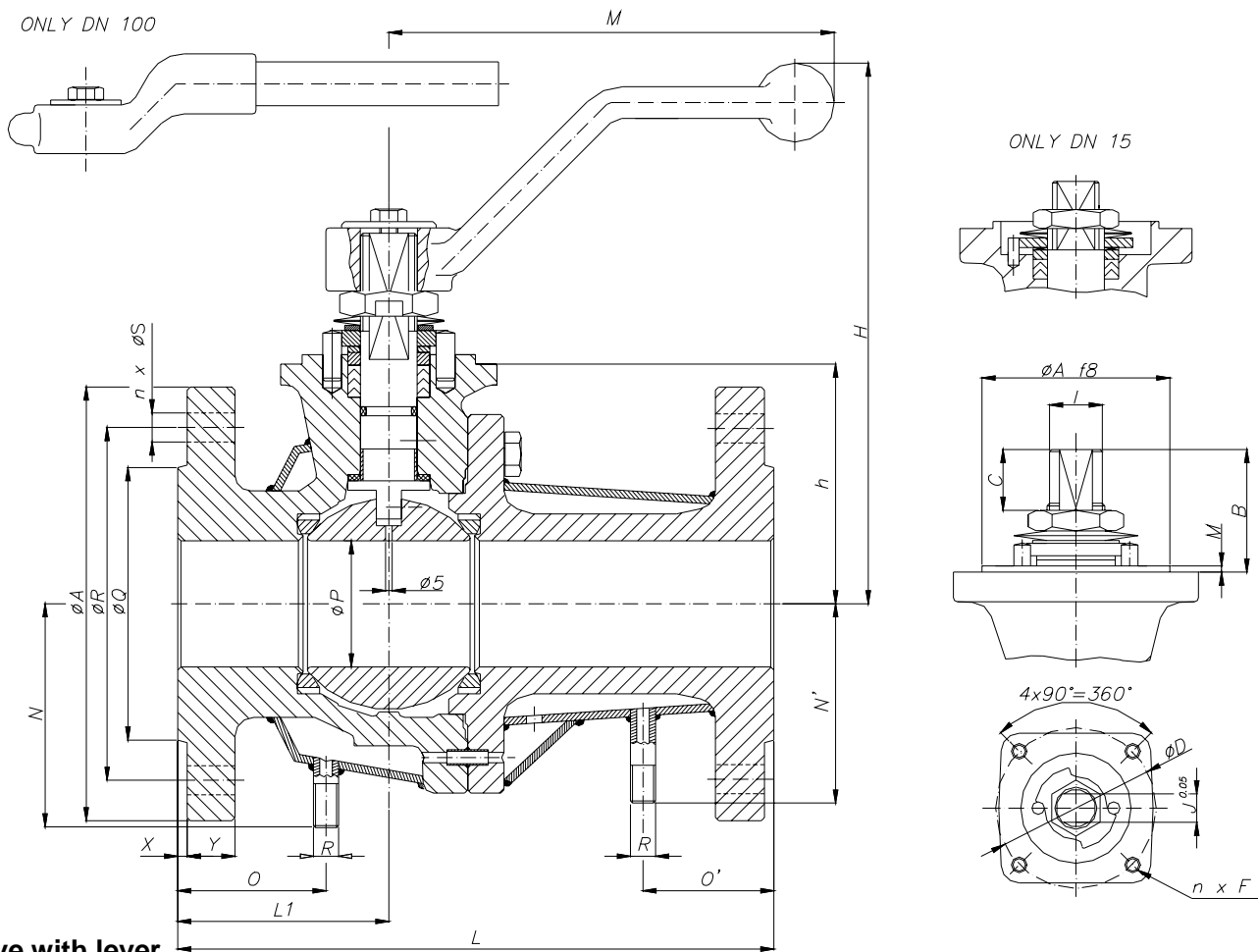
Steam jacketed (PN 10) Ball Valves PN 16/40 Floating Type Parts and materials



Item	Description	Material	Item	Description	Material
1	Body	1.4408	15	Bolt	DIN 912 A4-70
2	Body connector	1.4408	16	Bolt	DIN 933 A2
3	Ball	DN 15 - 25: A276/479 Tp.316 DN 40-100: A351 Gr. CF8M	17	Washer	AISI 304
4	Stem	A 276/479 Tp.316	18	Thrust washer	25% G.F. PTFE
5	Seat ring	STANSIT	19	Antistatic device	Stainless St.
6	Wrench	Nodular Iron	39	Stem bushing	25% G.F. PTFE
7	Gland nut	AISI 303	41	Spacer	Stainless St.
8	Disk spring	E.N.P. Carbon St.	46	Washer	AISI 304
9	Stop plate	AISI 304	55	Gasket	STANSIT
10	Gland	AISI 316	55.1	Jacket Body	AISI 316L
11	Gland packing	PTFE	55.2	Jacket Connector	AISI 316L
12	Stem thrust seal	STANSIT	56	Sleeve	AISI 316
13	Body connector seal	STANSIT	72	"O" Ring	FKM
14	Stop pin	Stainless St	89	Identification plate	Stainless St.



Steam jacketed (PN 10) Ball Valves PN 16/40 Floating Type Dimensions



Valve with lever

DN	ØP	L	L1	ØA	ØR	ØQ	n x ØS	X	Y	O/O'	N/N'	R	h	H	M	WEIGHT
15	15	130	53	95	65	45	4 x Ø14	2	14	39,3 / 33,3	45	1/4" DIN 2999	46	110	164	3,2
25	25	160	49	115	85	68	4 x Ø14	2	16	41,3 / 36,3	55	1/4" DIN 2999	58	129	164	5,4
40	40	200	55	150	110	88	4 x Ø18	3	15	48 / 38,3	85 / 75	1/4" DIN 2999	76	148	213	10
50	50	230	61	165	125	102	4 x Ø18	3	17	49 / 40,3	90	1/4" DIN 2999	83,5	155	213	13,5
80	80	310	82	200	160	138	8 x Ø18	3	17	64,5 / 50	105	1/4" DIN 2999	111	207	445	25
100	100	350	90	220	180	158	8 x Ø18	3	17	61 / 70	124	1/4" DIN 2999	133	231	495	38

Free stem dimensions

DN	ISO 5211	ØA	B	C	ØD	n x F	M	I	J
15	F05	35	11,2	5,7	50	4xM6	1.5	M12x1.5	9
25	F05	35	22,7	10,2	50	4xM6	1.5	M12x1.5	9
40	F07	55	41,5	19,2	70	4xM8	3	M18x1.5	13
50	F07	55	41,5	19,2	70	4xM8	3	M18x1.5	13
80	F10	70	44,5	19,7	102	4xM10	3	M25x1.5	18
100	F10	70	56,5	29,2	102	4xM10	3	M28x1.5	20



Steam jacketed (PN 10)

Ball Valves PN 16/40 Floating Type

General Characteristics, Torque&KV , P&T Rating

GENERAL CHARACTERISTICS	Fig.553 Series SFF	S plit Body	F loating Ball	F ull Bore
DESIGN STANDARDS				
Valves design	EN 1983	EN 1983		
Body design	EN 12516			
Shell thickness	EN ISO 17292			
Flanges	DIN 2501 / EN 1092	EN 1092		
Face to face dimensions	EN 558 Series 1	DIN 3202 F1		
Actuator mounting flange	ISO 5211	ISO 5211		
Shell finishing quality	MSS SP 55			
Marking	EN 19	EN 19	CE-PED	
TESTS AND CERTIFICATES				
Quality Assurance	ISO 9001	CE-PED		
Pressure testing	DIN 3230	EN 12266	EN 12266	EN 12266
Other	ISO 14001	A TEX		

Torque Values in Nm

VALVE SIZE	AT DIFFERENTIAL PRESSURE		VALVE SIZE	AT DIFFERENTIAL PRESSURE	
	16 bar	40 bar		16 bar	40 bar
DN 15	9,6	12	DN 50	40	60
DN 25	14	20	DN 80	120	---
DN 40	20	30	DN 100	180	---

Kv Values in m³/h

DN 15	DN 25	DN 40	DN 50	DN 80	DN 100
20	75	170	270	1000	1650

Pressure-Temperature

