

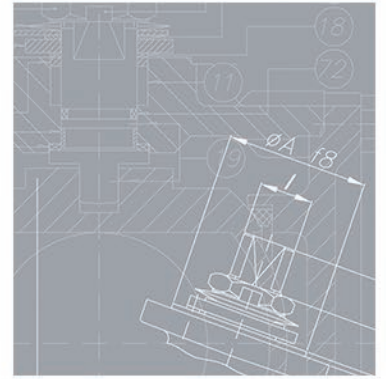
Technical Datasheet

ANSI Ball Valves

1515
1530

JC
VALVES

The quality option



sales@jc-valves.com

www.jc-valves.com

ANSI Ball Valves Semi-Trimunion



FUGITIVE EMISSIONS

EN-ISO 15848-1



- Valve design: Full Bore API 6D / EN ISO 17292
- Body design: ASME VIII Div.1
- Shell thickness: ASME 16.34
- Flanges: ASME B16.5 Raised Face
- Face to face dimensions: ASME B16.10 Long Pattern
- Marking: EN 19 / CE - PED / MSS SP25
- Fire Safe certification: ISO 10497
- Pressure testing: API 598 - API 6D
- Other: ATEX
- Shell finishing quality: MSS SP 55
- ISO 5211

Certifications

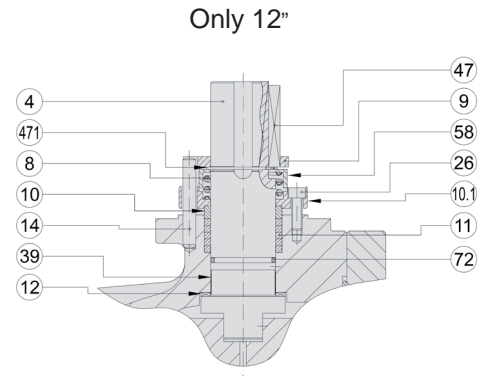
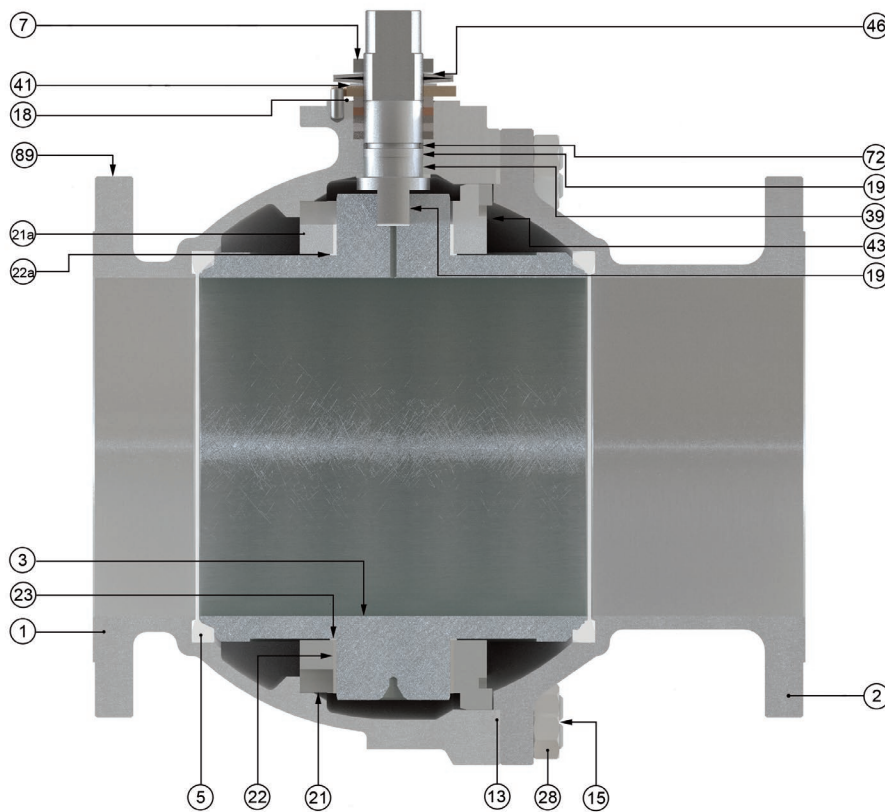
Company Certificates

- ISO9001 Quality Management System
- ISO14001 Environmental Management System
- AD2000-Merkblatt W0/A4
- API Monogram License 6D-0197, 600-0016

Product Certificates

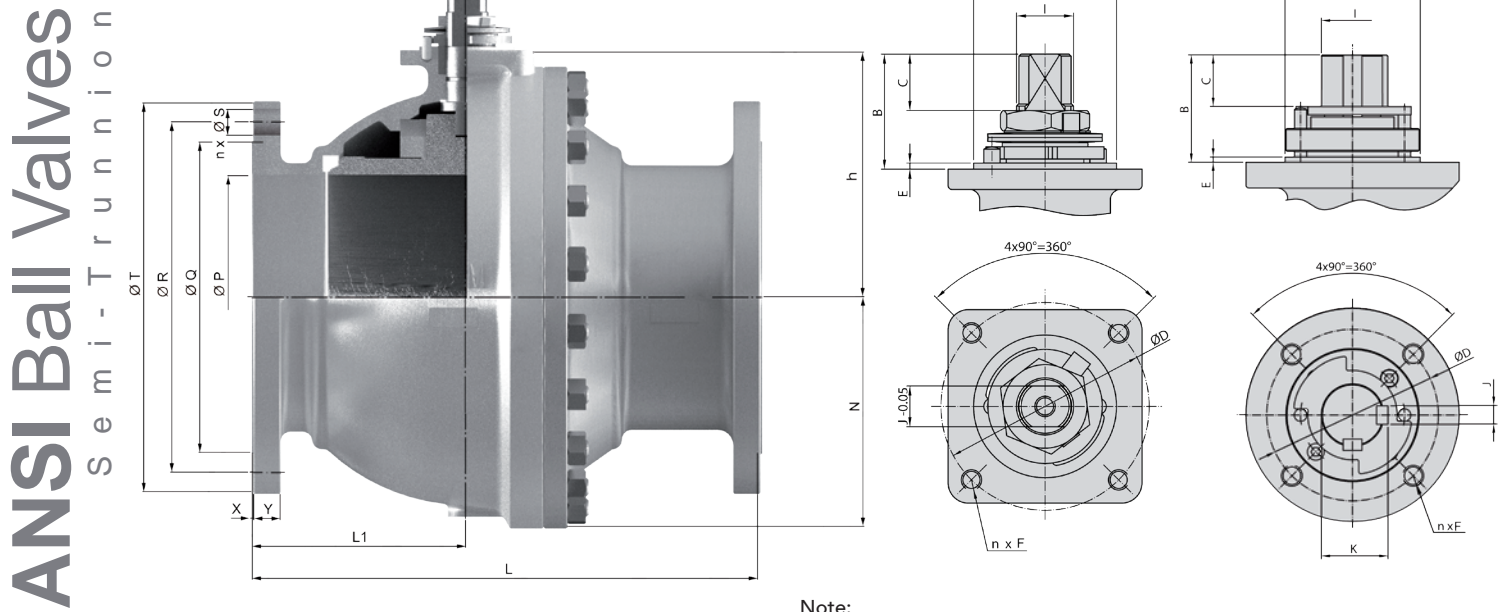
- Fire Safe API 607, ISO 10497, API 6FA
- PED 2014/68/EU - CE marking
- ATEX 2014/34/EU– (II2GD)
- Russian Federation Certificate TRCU 10, TRCU 12, TRCU 32
- Food processing and pharmaceutical industry FDA, USP CLASS VI COMPLIANCE (CE 1935/2004)
- Safety Integrity Level (SIL) LEVEL 3 IEC 61508
- CRN (Canadian Registration Number)
- Tanks for the transport of dangerous goods-Tank equipment for the transport of liquid chemicals and liquefied gases - Product discharge and air inlet valves EN 14432

ANSI Ball Valves Semi-Trunnion



Item	Description	Material		
		A.I.T	I.I.T	L.I.T.
1 / 2	Body/Body Connector	A 216 Gr. WCB (C ≤ 0,25%)	ASTM A 351 Gr. CF8M	ASTM A 352 LCC
3	Ball	ASTM A 351 Gr. CF8M		
4	Stem	ASTM A 479 Tp.316		
5	Seat ring	PTFE		
7	Gland nut	Zinc plated carbon steel	AISI 303	
8	Disk spring	Zinc plated carbon steel	A 666 Tp.301	
9	Stop plate	Carbon St.	AISI 304	
10	Gland	Carbon St.	AISI 304	
10.1	Gland	AISI 303	AISI 316	
11	Gland packing	Graphite		
12	Stem thrust seal	25% G.F. PTFE		
13	Body connector seal	SPW AISI 316L + Graphite		
14	Stop pin	Carbon St.	Stainless St.	
15	Stud	A 193 Gr. B7M Zinc Bichromated	A 193 Gr. B8M	A 320 Gr. L7M Zinc Bichromated
18	Thrust washer	25% G.F. PTFE		
19	Antistatic device	Stainless St.		
21 / 21a	Ball Trunnion	AISI 316		
22 / 22a	Trunnion Bearing	PTFE + 50% SS		
23	Bearing	PTFE		

Item	Description	Material		
		A.I.T	I.I.T	L.I.T.
26	Bolt	DIN 912 8.8 Zinc Bichromated	DIN 912 A4	
28	Nut	A 194 Gr. 2HM Zinc Bichromated	A 194 Gr.8M	A 194 Gr.7M Zinc Bichromated
39	Stem bushing	PTFE + 50% SS		
41	Spacer	Carbon St.	Stainless St.	
43	Key	AISI 316		
46	Locking washer	AISI 304		
47	Key	AISI 316		
58	Spring protection	Carbon St.	Stainless St.	
72	O-Ring	FKM		
89	Identification plate	Stainless St.		
471	Retainer	Carbon St.	Stainless St.	



Note:
Raised Face: Acc. MSS SP-6

Series 1515 (Class 150)

* Weight in Kg * Dimensions in mm

DN	ØP	L	L1	ØQ	ØR	n x ØS	ØT	X	Y	h	N	WEIGHT	Kv
250 (10")	254	533	225	323,8	362	12x25,4	405	2	28,6	256	239	237	15000
300 (12")	305	610	245	381	431,8	12x25,4	485	2	30,2	297	288	357	20800

Series 1530 (Class 300)

DN	ØP	L	L1	ØQ	ØR	n x ØS	ØT	X	Y	h	N	WEIGHT	Kv
200 (8")	203	502	239	269,9	330,2	12x25,4	380	2	39,7	233	208	189	9000
250 (10")	254	568	225	323,8	387,4	16x28,6	445	2	46,1	256	253	301	15000
300 (12")	305	648	315	381	450,8	16x31,8	520	2	49,3	310	300	520	20800

Actuator Connection

DN	CLASS	ISO 5211	ØA	B	C	ØD	n x F	E	I	J	K
200	300	F14	100	72	36,5	140	4xM16	4	M45x2	32	---
250	150 / 300	F14	100	72	36,5	140	4xM16	4	M45x2	32	---
300	150	F14	100	106	58	140	4xM16	3	Ø50	14	53,5
300	300	F16	130	103	49,4	165	4xM20	5	Ø60	18	64,2

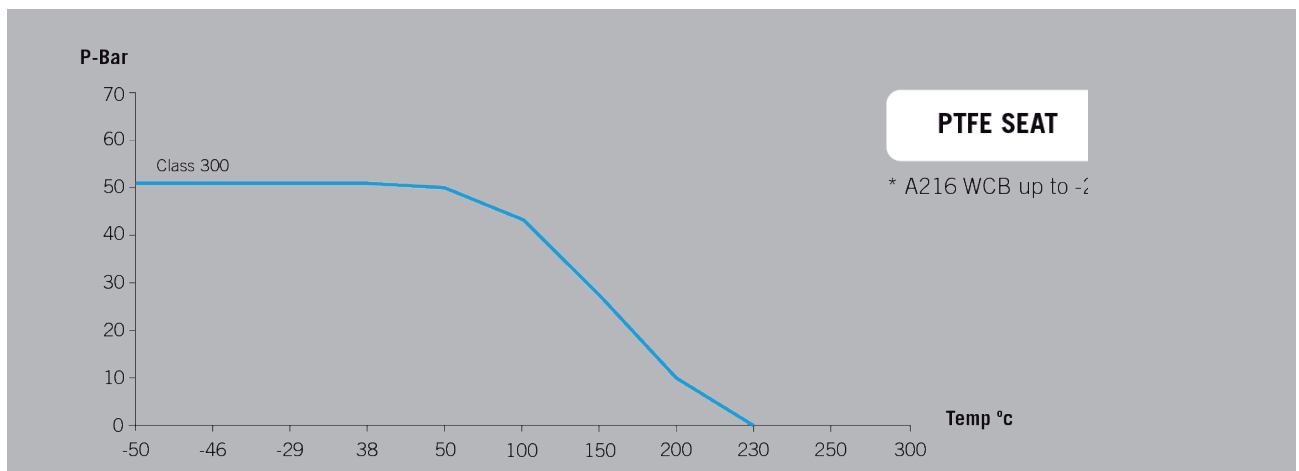
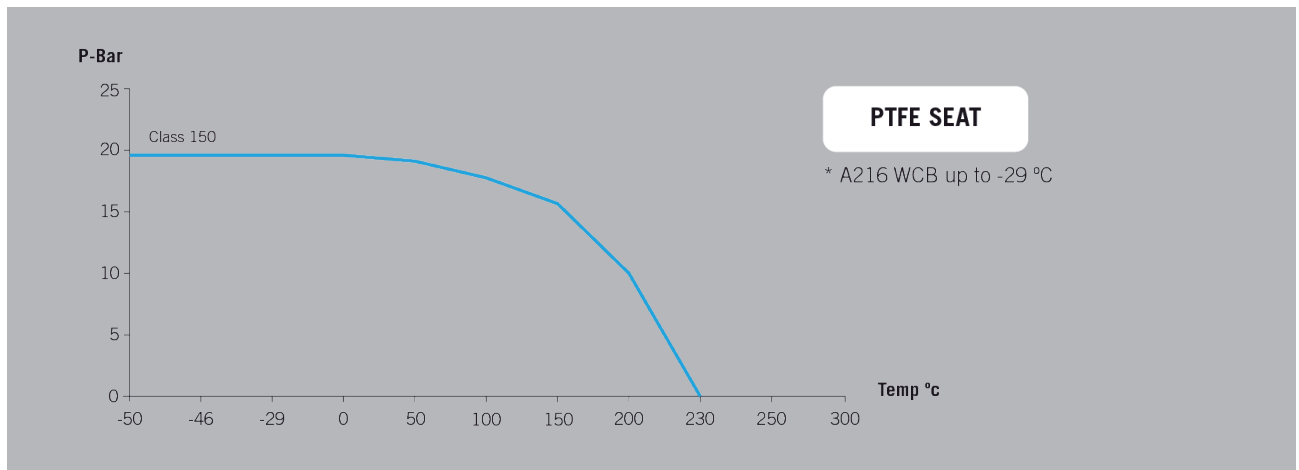
Differential Pressure 150 Lbs

DN	BTO	RTO	ETO	BTC	RTC	ETC	MAST
-	-	-	-	-	-	-	-
-	-	-	-	-	-	-	-
-	-	-	-	-	-	-	-
-	-	-	-	-	-	-	-
-	-	-	-	-	-	-	-
-	-	-	-	-	-	-	-
-	-	-	-	-	-	-	-
-	-	-	-	-	-	-	-
-	-	-	-	-	-	-	-
-	-	-	-	-	-	-	-
250	1.280	640	768	960	640	1.024	1.387
300	1.500	750	900	1.125	750	1.200	2.541

Differential Pressure 300 Lbs

DN	BTO	RTO	ETO	BTC	RTC	ETC	MAST
-	-	-	-	-	-	-	-
-	-	-	-	-	-	-	-
-	-	-	-	-	-	-	-
-	-	-	-	-	-	-	-
-	-	-	-	-	-	-	-
-	-	-	-	-	-	-	-
-	-	-	-	-	-	-	-
-	-	-	-	-	-	-	-
-	-	-	-	-	-	-	-
-	-	-	-	-	-	-	-
200	1.100	550	660	825	550	880	1.387
250	1.480	740	888	1.110	740	1.184	3.484
300	1.900	950	1.140	1.425	950	1.520	4.343

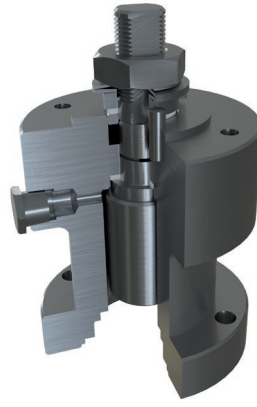
Pressure – Temperature Charts



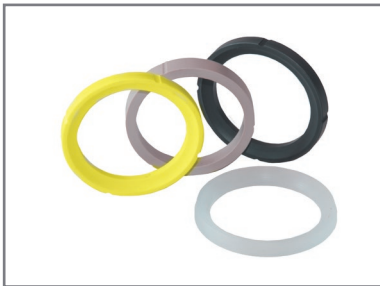
ANSI Ball Valves Semi-Trunnion



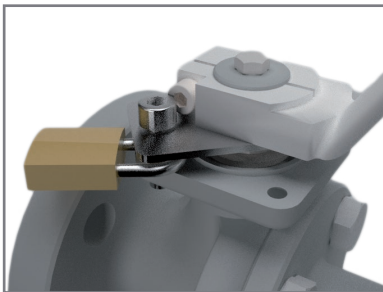
Stem Extension



Double Packing Stem Extension



Other Seat materials



Locking Device



Manual and Declutchable
Gears



Pneumatic or Hydraulic
Scotch Yoke Actuators



Valve Automation option
available on Request