



Ball Valves PN-250 (Class-1500) LICG & IICG Type DN 1/2" – 2"



SERIES 41500R FULL BORE & REDUCED BORE

NPT, SW & BW Ends
Face to face dimensions Manufacturer's Standard

Manufacturing program:



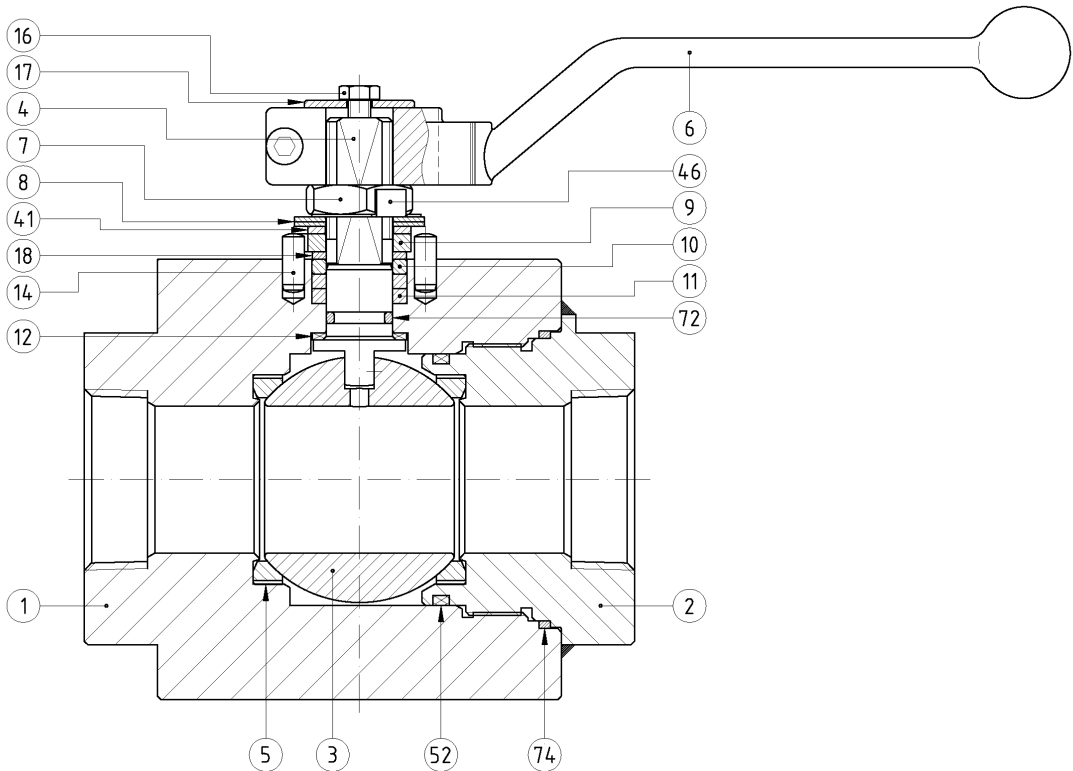
Quality & Environmental Management:





Ball Valves PN-250 (Class-1500) LICG & IICG Type

Parts & Materials

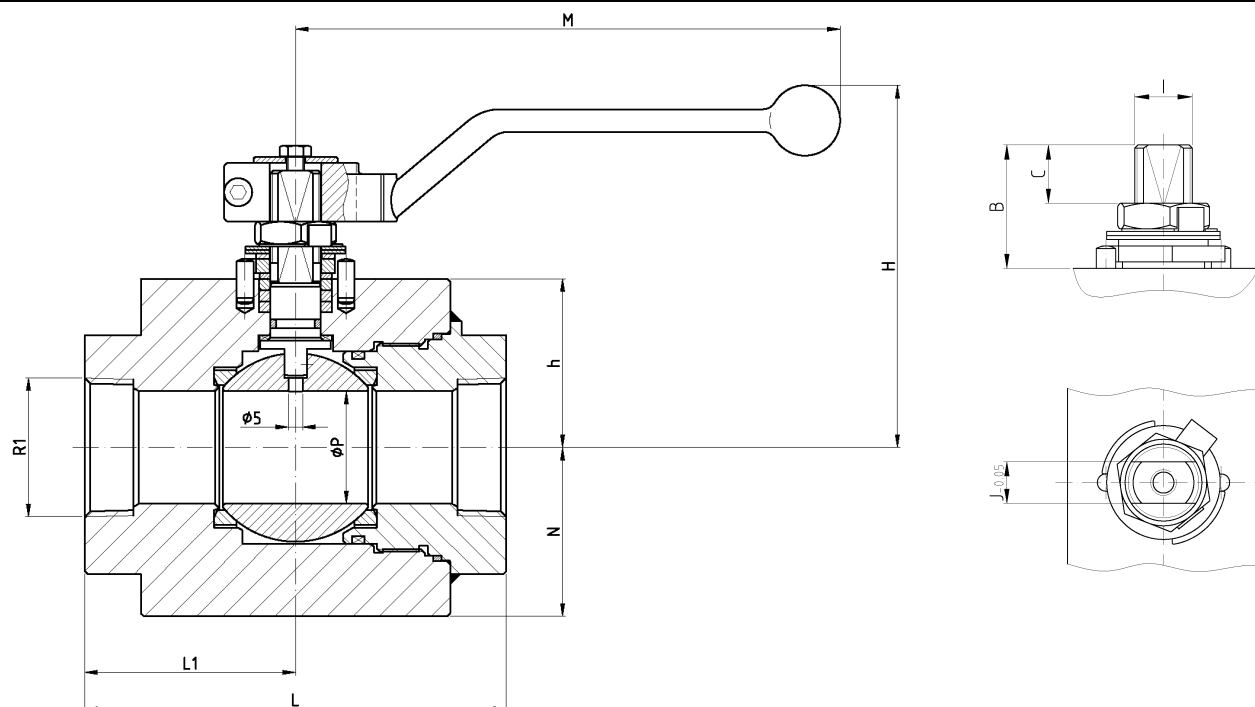


Item	Description	Material	
		L.I.CG.	I.I.CG.
1	Body	A 350 Gr. LF2 Class 1	A 479 Tp.316L
2	Body connector	A 350 Gr. LF2 Class 1	A 479 Tp.316L
3	Ball	A 351 Gr. CF8M	
4	Stem	AISI 410	17-4 PH H-900
5	Seat ring	Carbon graphite filled PTFE	
6	Wrench	Nodular iron	
7	Gland nut	AISI 303	
8	Disk spring	E.N.P. Carbon Steel	
9	Stop plate	AISI 304	
10	Gland	AISI 316	
11	Gland packing	Graphite	
12	Stem thrust seal	25% G.F. PTFE	
14	Stop pin	Stainless St.	
16	Bolt	DIN 933 A2	
17	Washer	AISI 304	
18	Thrust washer	25% G.F. PTFE	
19	Antistatic device	Stainless St.	
41	Spacer (DN-40 & 50)	AISI 304	
46	Washer	AISI 304	
52	O' Ring	FKM	
72	O' Ring	FKM	
74	Insert seal	Graphite	
89	Identification plate	Stainless St.	



Ball Valves PN-250 (Class-1500) LICG & IICG Type

Dimensions



OTHER CONSTRUCTIONS

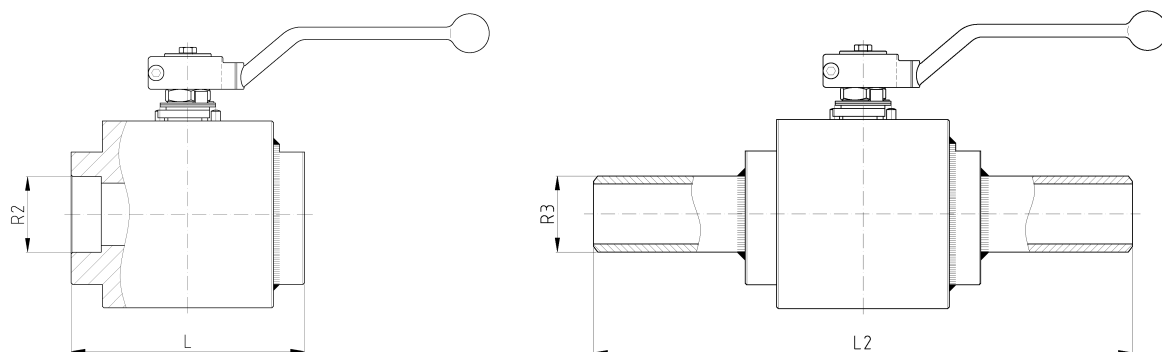


FIG.41500R PN-250 (Class-1500)

DN	L	L1	L2	ϕP	h	N	H	M	B	C	I	J	R1	R2	R3
3/8"	80	35	240	9,5	25	25	80,5	164	16	6	M10x1,5	7	3/8" NPT	3/8" SW	3/8" BW
1/2" x 3/8"	90	35	250	9,5	25	25	80,5	164	16	6	M10x1,5	7	1/2" NPT	1/2" SW	1/2" BW
1/2"	90	35	250	15	29	25	99	164	19,5	8	M12x1,5	9	1/2" NPT	1/2" SW	1/2" BW
3/4" x 1/2"	110	50	270	15	29	25	99	164	19,5	8	M12x1,5	9	3/4" NPT	3/4" SW	3/4" BW
3/4"	110	50	270	20	32	34	102	164	19,5	8	M12x1,5	9	3/4" NPT	3/4" SW	3/4" BW
1" x 3/4"	119	49	279	20	32	34	102	164	19,5	8	M12x1,5	9	1" NPT	1" SW	1" BW
1"	119	49	279	25	36	37,5	107	164	19,5	7,5	M12x1,5	9	1" NPT	1" SW	1" BW
1.1/2" x 1.1/4"	150	75	310	32	36	37,5	116	210	30,5	14	M16x1,5	12	1.1/2" NPT	1.1/2" SW	1.1/2" BW
1.1/2"	150	75	310	40	60	60	128	213	38,5	19	M18x1,5	13	1.1/2" NPT	1.1/2" SW	1.1/2" BW
2 x 1.1/2"	161	66	321	40	60	60	128	213	38,5	19	M18x1,5	13	2" NPT	2" SW	2" BW
2"	161	66	321	50	73	73	141	348	40,5	19	M22x1,5	16	2" NPT	2" SW	2" BW

(*) Dimensions in mm.



Ball Valves PN-250 (Class-1500) LICG & IICG Type

Options

Fig.41501R Full Bore
(NPTF / NPTF)

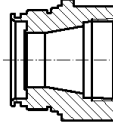
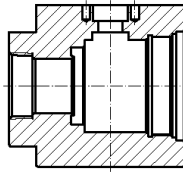


Fig.41511R Reduced Bore
(NPTF / NPTF)

Fig.41502R Full Bore
(SW / SW)

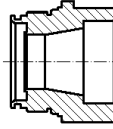
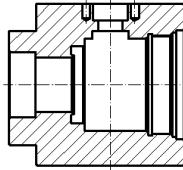


Fig.41512R Reduced Bore
(SW / SW)

Fig.41504R Full Bore
(BW / NPTM)

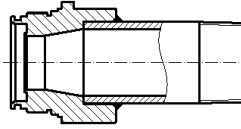
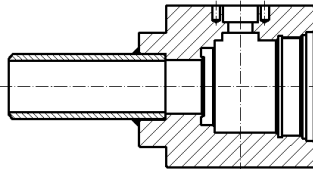


Fig.41514R Reduced Bore
(BW / NPTM)

Fig.41504HR Full Bore
(NPTF / BW)

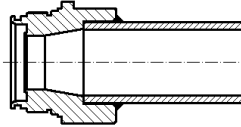
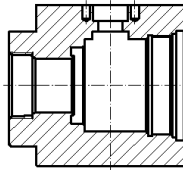


Fig.41514HR Reduced Bore
(NPTF / BW)

Fig.41505R Full Bore
(NPTF / SW)

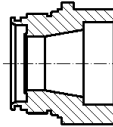
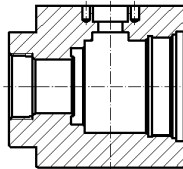


Fig.41515R Reduced Bore
(NPTF / SW)

Fig.41505TVR Full Bore
(NPTF / GASM)

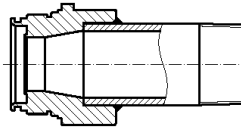
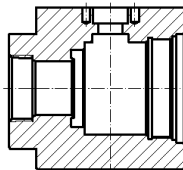


Fig.41515TVR Reduced Bore
(NPTF / GASM)

Fig.41506R Full Bore
(NPTM / NPTM)

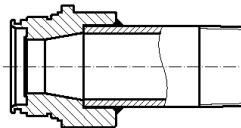
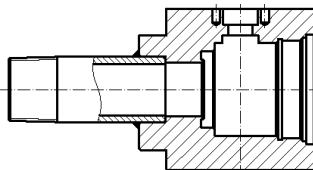


Fig.41516R Reduced Bore
(NPTM / NPTM)

Fig.41507R Full Bore
(BW / BW)

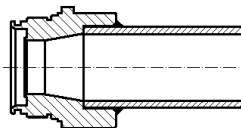
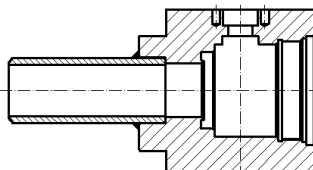


Fig.41517R Reduced Bore
(BW / BW)



Ball Valves PN-250 (Class-1500) LICG & IICG Type

General Characteristics, P&T Rating, Torque

GENERAL CHARACTERISTICS	Fig. 41500, Series TFF	" hreaded	Floating	Full
	Fig. 41510, Series TFR	" hreaded	Floating	Reduced
DESIGN STANDARDS				
Valves design	ASME B16.34	EN 1983		
Shell thickness		EN ISO 17292		
End to end dimensions	Manufacturer's standard			
Marking	EN 19	CE Marking > DN-25 (1")	A TEX	EN 1983
Wetted parts certificate	NACE MR0175	ISO 15156		
TESTS AND CERTIFICATES				
Quality Assurance	ISO 9001			
Fire safe Certification	ISO 10497	BS 6755 Part 2	API 6FA	
Pressure testing	API 598	EN 12266		

Torque Values in Nm

BALL BORE	AT DIFFERENTIAL PRESSURE
	250 bar
9.5 (3/8")	12
15 (1/2")	15
20 (3/4")	24
25 (1")	32
32 (1.1/4")	102
40 (1.1/2")	129
50 (2")	185

Pressure-Temperature

— A350 Gr. LF2 Class 1

— A479 - Type 316L