



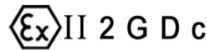
Ball Valve (Class 300)
AIT & IIT Construction
Carbon Steel & Stainless Steel



Fig. 1730

API 6D

Manufacturing program:



LICENSE NO. 6D-0197

Quality & Environmental Management:



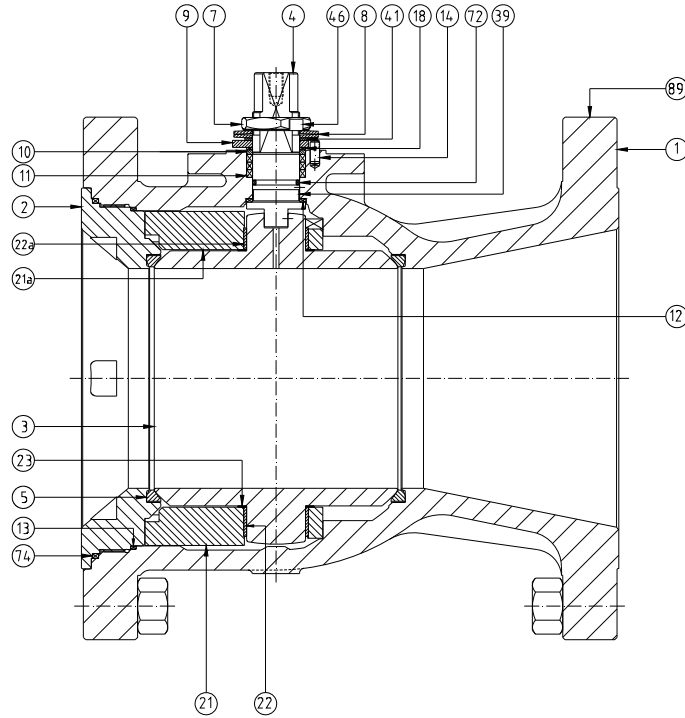


Ball Valve (Class 300)

AIT & IIT Construction

Carbon Steel & Stainless Steel

DN-10" Class-300#



Item	Description	Material	
		A.I.T.	I.I.T.
1	Body	A 216 Gr. WCB (C ≤ 0.25%)	A 351 Gr. CF8M
2	Body connector	A 350 Gr. LF2 Class 1	A 351 Gr. CF8M
3	Ball	A 351 Gr. CF8M	
4	Stem	A 479 Tp.316	
5	Seat ring	PTFE	
7	Gland nut	Zinc Plated Carbon Steel	AISI-303
8	Disk spring / Spring	Carbon St. *	E.N.P. Carbon St. *
9	Stop plate	Carbon St.	AISI-304
10	Gland ring	AISI-303	AISI-316
11	Gland packing	Graphite	
12	Stem thrust seal	25% G.F. PTFE	
13	Body connector seal	PTFE	
14	Stop pin	Carbon St.	Stainless St.
18	Thrust washer	25% G.F. PTFE	
19	Antistatic device	Stainless St.	
21 / 21a	Ball trunnion	A 351 Gr. CF8M	
22 / 22a	Trunnion bearing	AISI-316 + PTFE	
23	Bearing	PTFE	
39	Stem bushing	25% G.F. PTFE	
41	Spacer	Carbon St.	Stainless St.
46	Locking washer	AISI-304	
72	O' Ring	FKM -- Note 1 --	
74	Insert seal	Graphite	
89	Identification plate	Stainless St.	

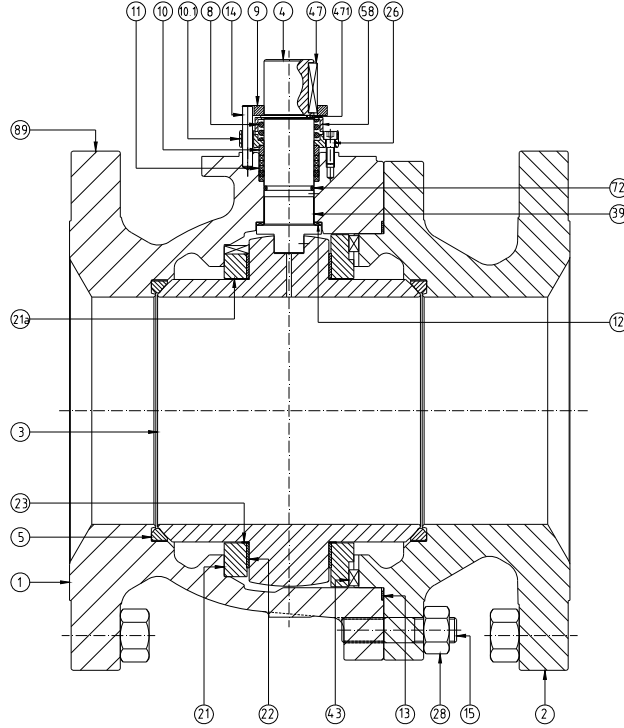


Ball Valve (Class 300)

AIT & IIT Construction

Carbon Steel & Stainless Steel

DN-12" Class-300#



Item	Description	Material	
		A.I.T.	I.I.T.
1	Body	A 216 Gr. WCB (C ≤ 0.25%)	A 351 Gr. CF8M
2	Body connector	A 216 Gr. WCB (C ≤ 0.25%)	A 351 Gr. CF8M
3	Ball	A 351 Gr. CF8M	
4	Stem	A 479 Tp.316	
5	Seat ring	PTFE	
8	Disk spring / Spring	Carbon St. *	E.N.P. Carbon St. *
9	Stop plate	Carbon St.	AISI-304
10	Gland ring	AISI-303	AISI-316
10.1	Gland	Carbon st.	AISI-316
11	Gland packing	Graphite	
12	Stem thrust seal	25% G.F. PTFE	
13	Body connector seal	AISI-316L + Graphite	
14	Stop pin	Carbon St.	Stainless St.
15	Stud	A 193 Gr. B7M	A 193 Gr. B8M **
19	Antistatic device	Stainless St.	
21 / 21a	Ball trunnion	Carbon st. + E.N.P.	
22	Trunnion bearing	AISI-316 + PTFE	
23	Bearing	PTFE	
26	Bolt	DIN 912 8.8 Zinc Plated	DIN 912 A2
28	Nut	A 194 Gr. 2HM	A 194 Gr. 8M **
39	Stem bushing	25% G.F. PTFE	
43	Key	AISI-316	
47	Key	AISI 316	
58	Spring protection	Carbon St.	Stainless St.
72	O' Ring	FKM -- Note 1 --	
89	Identification plate	Stainless St.	
471	Retainer	Carbon St.	Stainless St.

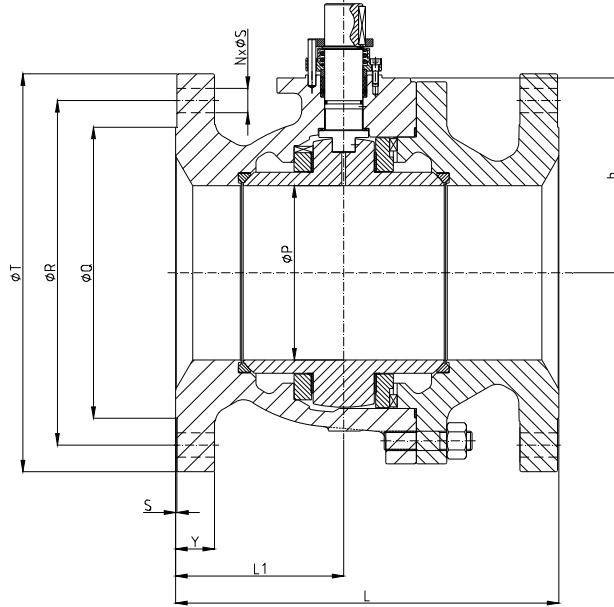


Ball Valve (Class 300)

AIT & IIT Construction

Carbon Steel & Stainless Steel

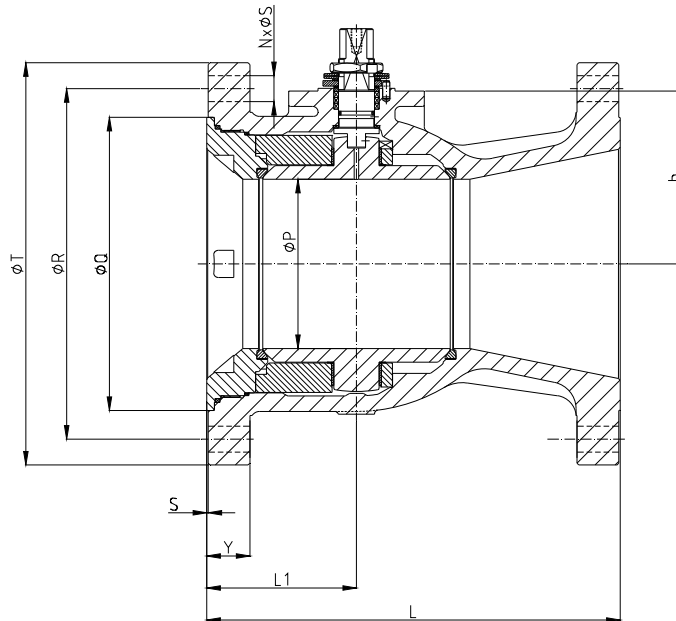
DN- 12" Class- 300#



DN	ØP	L	L1	ØQ	ØR	n x ØS	ØT	X	Y	h	Weight (Kg)
12"	228	502	220	381	450,8	16x31,8	520	1.6	51	255	480

(*) Dimensions in mm.

DN- 10" Class- 300#



DN	ØP	L	L1	ØQ	ØR	n x ØS	ØT	X	Y	h	Weight (Kg)
10"	187	457,2	158,7	324	387,4	16x28,5	445	1.6	47,8	191	263

(*) Dimensions in mm.

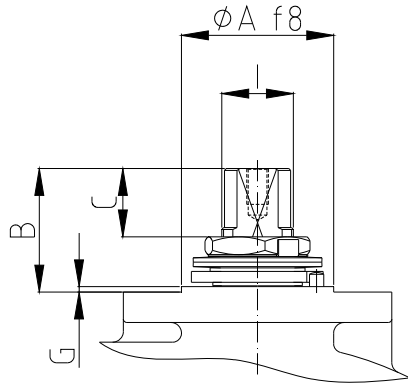


Ball Valve (Class 300)

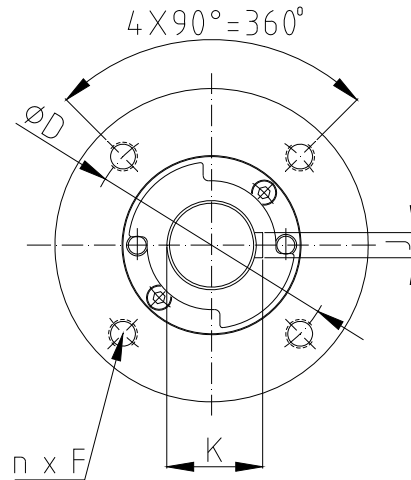
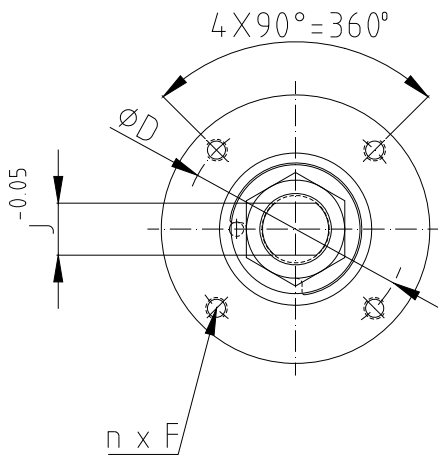
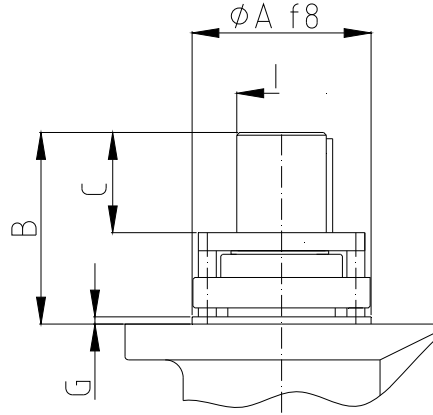
AIT & IIT Construction

Carbon Steel & Stainless Steel

DN- 10" Class- 300#



DN- 12" Class- 300#



DN	ISO 5211	ϕA	B	C	ϕD	n x F	G	I	J	K
10" Class- 300#	F12	85	69	38	125	4 x M12	3	M40x2	29	---
12" Class-300#	F14	100	107	56	140	4 x M16	4	50	14	53,5

(*) Dimensions in mm.



Ball Valve (Class 300)

AIT & IIT Construction

Carbon Steel & Stainless Steel

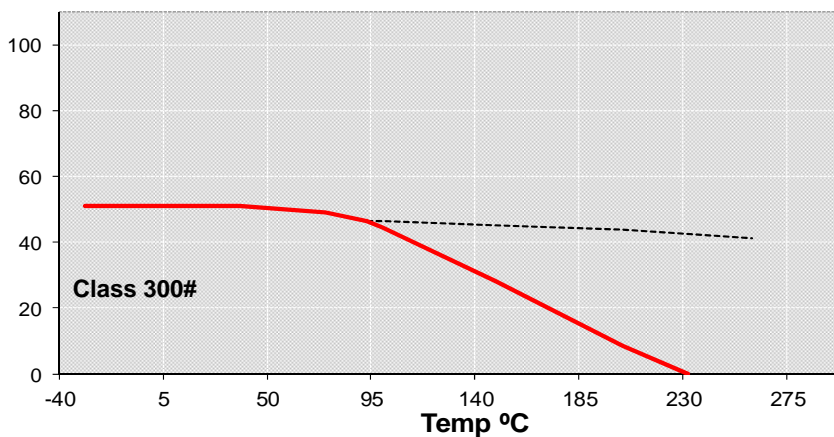
GENERAL CHARACTERISTICS	Fig.1730 DN 10" Series EBR Fig.1730 DN 12" Series SBR	E nd Entry S plit Body	Trunnion B all Trunnion B all	R educed Bore R educed Bore
DESIGN STANDARDS				
Valves design	API 6D	ASME B16.34	EN ISO 17292	
Body design	ASME VIII Div.1			
Shell thickness	ASME B16.34			
Flanges	ASME B16.5 Raised face			
Face to face dimensions	ASME B16.10	API 6D		
Actuator mounting flange	ISO 5211			
Wetted parts materials and bolting	NACE MR.01.75			
Shell finishing quality	MSS SP 55			
Marking	API 6D	EN ISO 17292	EN 19	CE - PED
TESTS AND CERTIFICATES				
Quality Assurance	ISO 9001	API Q1	CE - PED	
Fire Safe certification				
Pressure testing	API 598	EN 12266		
Other	ISO 14001	ATEX		

Torque Values in Nm

VALVE SIZE (mm)	AT DIFFERENTIAL PRESSURE	
	Class 300	
	55 bar	
DN-10"	1.050	
DN-12"	2.000	

Pressure-Temperature

For A 216 Gr. WCB. For other materials consult ASME B16.34

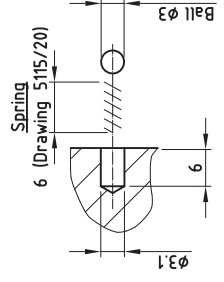


PTFE SEATS
DN10" & DN16"

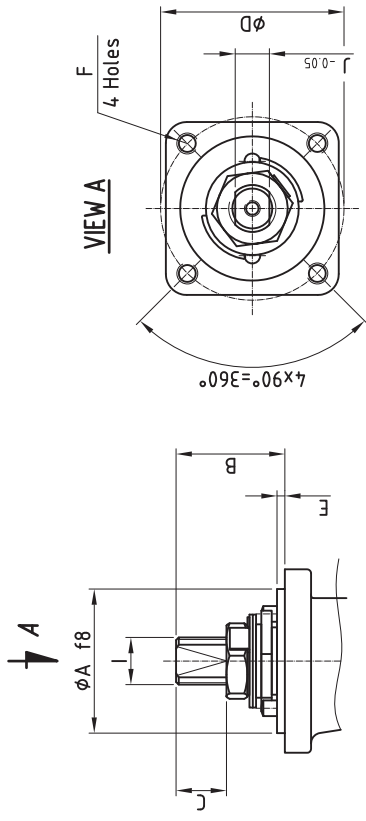
11964

DN	L	φD	φP	φJ	A	h	H
10"	457	445	187	254	165.5	191	260

Antistatic Detail

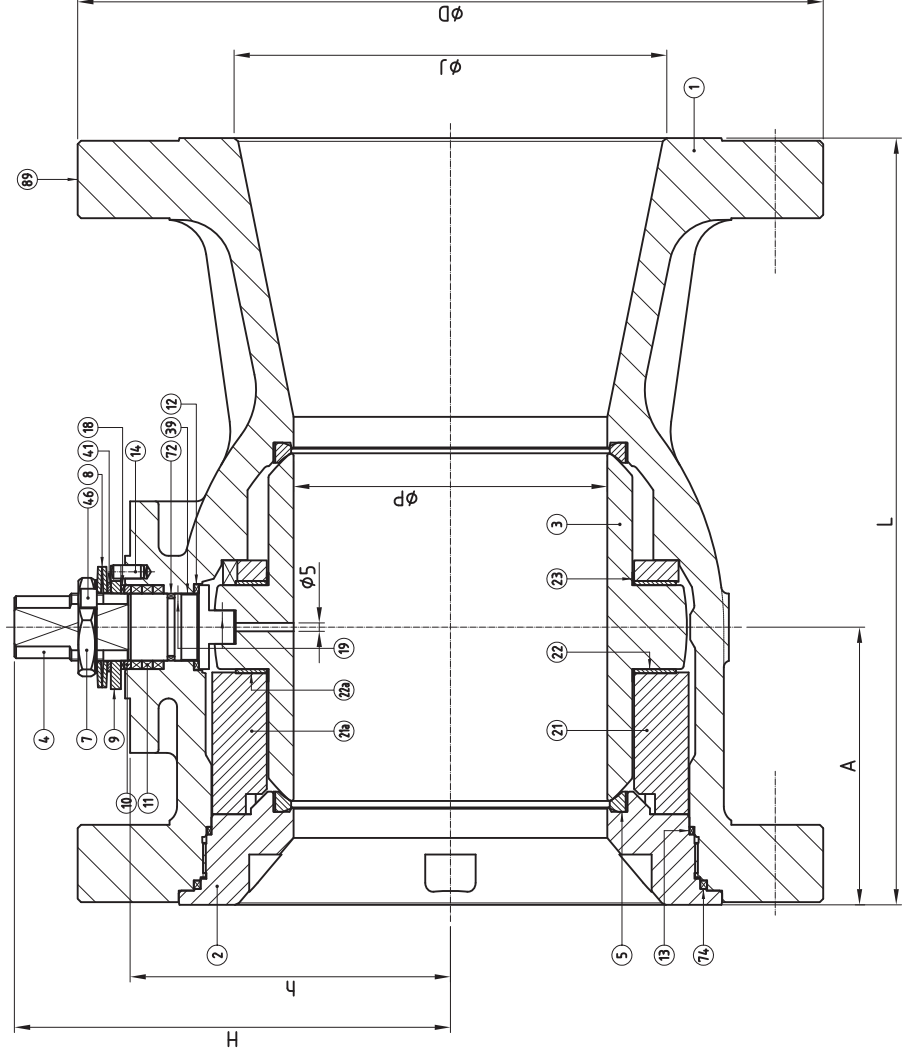


DN	BALL VALVES STEM DIMENSIONS						WEIGHT (Kg.)	QUANTITY	ITEM
	φA	B	C	φD	E	F			
10"	85	69	38.2	125	3	M12 Ø40	263	--	--



(*) RECOMMENDED SPARE PARTS

POS.	QUAN.	DENOMINATION	MATERIAL
2		PLASTIC CAP	PLASTIC
89	1	IDENTIFICATION PLATE	A 276 Ip.304
74	1	INSERT SEAL	GRAPHITE
72	1	"O" RING	FKM
46	1	LOCKING WASHER	A 479 Ip.304
41	1	SPACER	CARBON ST.
39	1	STEM BUSHING	25% G.F. + TFM
23	2	BEARING	PTFE
22a	1	TRUNNION BEARING	PTFE + 50% S.S.
22	1	TRUNNION BEARING	PTFE + 50% S.S.
21a	1	BALL TRUNNION	CARBON ST. + E.N.P.
21	1	BALL TRUNNION	CARBON ST. + E.N.P.
19	2	ANTISTATIC DEVICE	ST. STEEL
18	1	THRUST WASHER	25% G.F. + PTFE
14	1	STOP PIN	CARBON ST.
13	1	BODY CONNECTOR SEAL	PTFE
12	1	STEM THRUST SEAL	25% G.F. + PTFE
11	3	GLAND PACKING	GRAPHITE
10	1	GLAND RING	A 479 Ip.303
9	1	STOP PLATE	CARBON ST.
8	2	DISK SPRING	CARBON ST.
7	1	GLAND NUT	CARBON ST. + ZINC PLATED
5	2	SEAT RING	PTFE
4	1	STEM	A 479 Ip.316
3	1	BALL	A 351 Gr. CF8M
2	1	INSERT	A 350 Gr. LF2 Class-1
1	1	BODY	A 216 Gr. WCB



Rev.	Modification	Drawn	L.D.	Date	Nam.	Approv.
0	First issue			08/2017	L.D.	
	Dimensions	Checked	J. Rubio			
	Weight:	Appr. Eng.				
	Substitutes:	Scale:				
	Substitutes by:					

JC Valves
 JC
 Fábrika de válvulas, s.a.
 08830 Sant Bot de Llobregat (Spain)
 Tel. + (34) 938 54 86 94 // Fax + (34) 938 54 86 95
 e.mail: technical@jc-valves.com

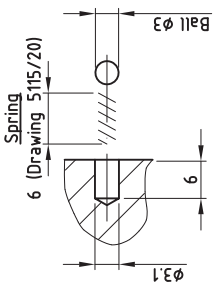
GENERAL DIMENSIONS
Fig.1730 DN-10" A.I.T. Class-300 RF RB
 FREE STEM

Ref: ---
 Drawing nº: 11964

This drawing is our property. It is strictly forbidden to use the drawing, to give it to third parties or to reproduce it totally or partially without our permission.

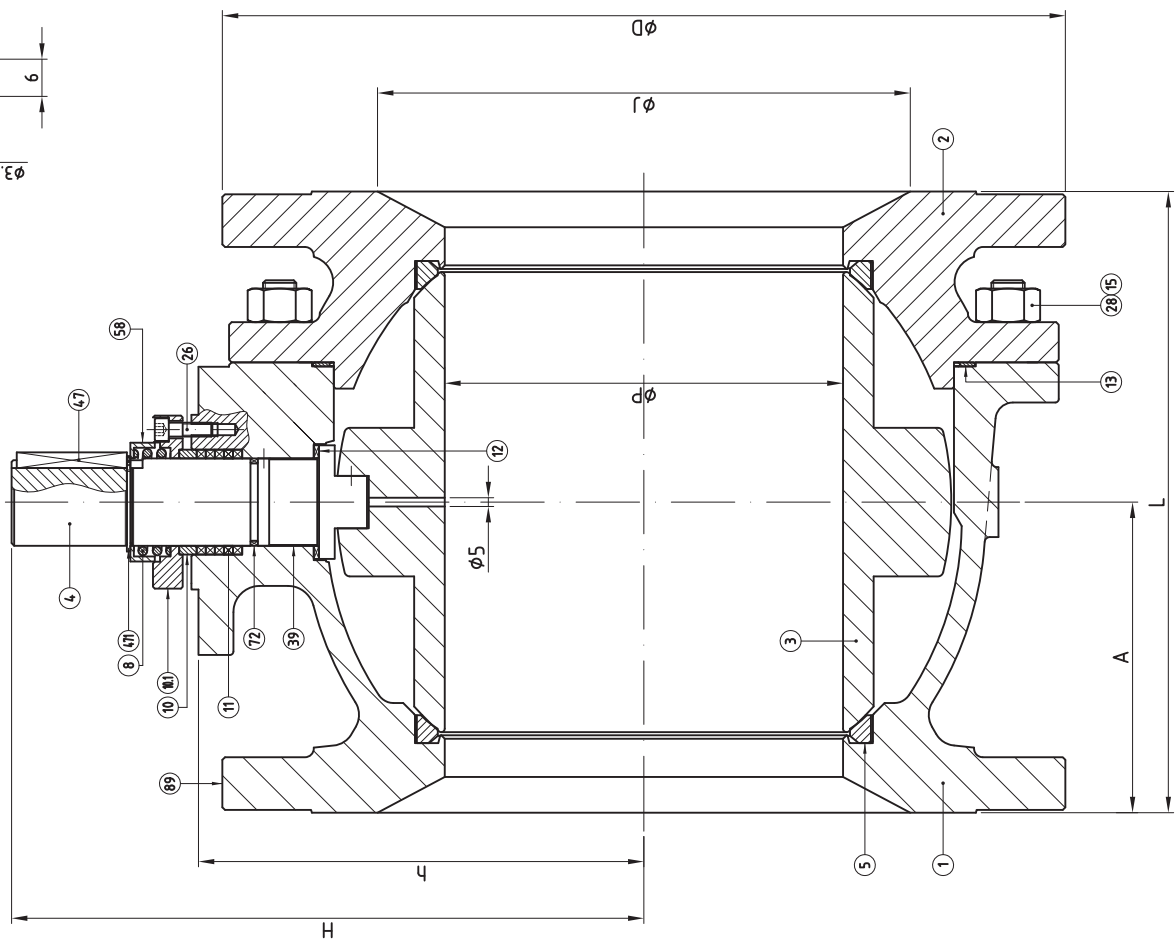
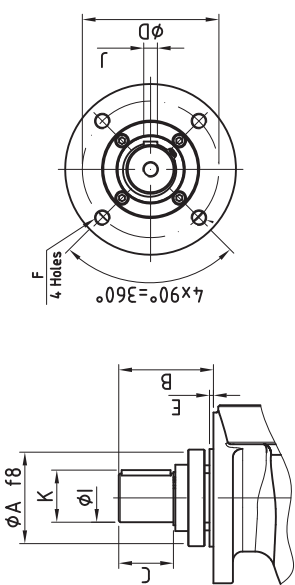
DN	L	φD	φP	φJ	A	h	H
12"	356	485	228	305	178	255	352

Antistatic Detail



BALL VALVES - STEM DIMENSIONS								WEIGHT (Kg.)	QUANTITY	ITEM		
DN	φA	B	C	φD	E	F	I	J	K			
12"	100	97	56	140	4	M16	Ø49	14	53.5	230	--	--

Top mounting detail



(*) RECOMMENDED SPARE PARTS

POS.	QUAN.	DENOMINATION	MATERIAL
2		PLASTIC CAP	PLASTIC
471	1	RETAINER	
89	1	IDENTIFICATION PLATE	A 276 Tp.304
72	1	"O" RING	FKM
58	1	SPRING PROTECTION	CARBON ST.
47	1	KEY	A 276 Tp.316
39	1	STEM BUSHING	25% G.F. + IFM
28	12	NUT	A 194 Gr. 2HM ZINC. + DICROMATED
26	4	BOLT	8.8 ZINC PLATED
15	12	STUD	A 193 Gr. B7M ZINC. + DICROMATED
13	1	BODY CONNECTOR SEAL	AISI 316L + GRAPHITE
12	1	STEM THRUST SEAL	25% G.F. + PIPE
11	5	GLAND PACKING	GRAPHITE
10.1	1	GLAND	CARBON ST.
10	1	GLAND	A 479 Tp.303
8	1	SPRING	CARBON ST.
5	2	SEAT RING	PTFE
4	1	STEM	A 479 Tp.316
3	1	BALL	A 351 Gr. CF8M
2	1	BODY CONNECTOR	A 216 Gr. WCB
1	1	BODY	A 216 Gr. WCB
POS. QUAN.		DENOMINATION	MATERIAL
			DRAWING N°.

0	First issue									
Rev.	Modification	Date	Nam.	Approv.						
		02.08.2017	L.D.							
	Drawn	02.08.2017	J. Rubio							
	Checked	02.08.2017	J. Rubio							
	Appr. Eng.									
	Scale:									
	Substitutes by:									

JC Valves
 Fábrcica de vlvulas, s.a.
 08830 Sant Bol de Llobregat (Spain)
 Tel. + (34) 936 54 86 94 / Fax + (34) 936 54 86 95
 e.mail: technical@jc-valves.com

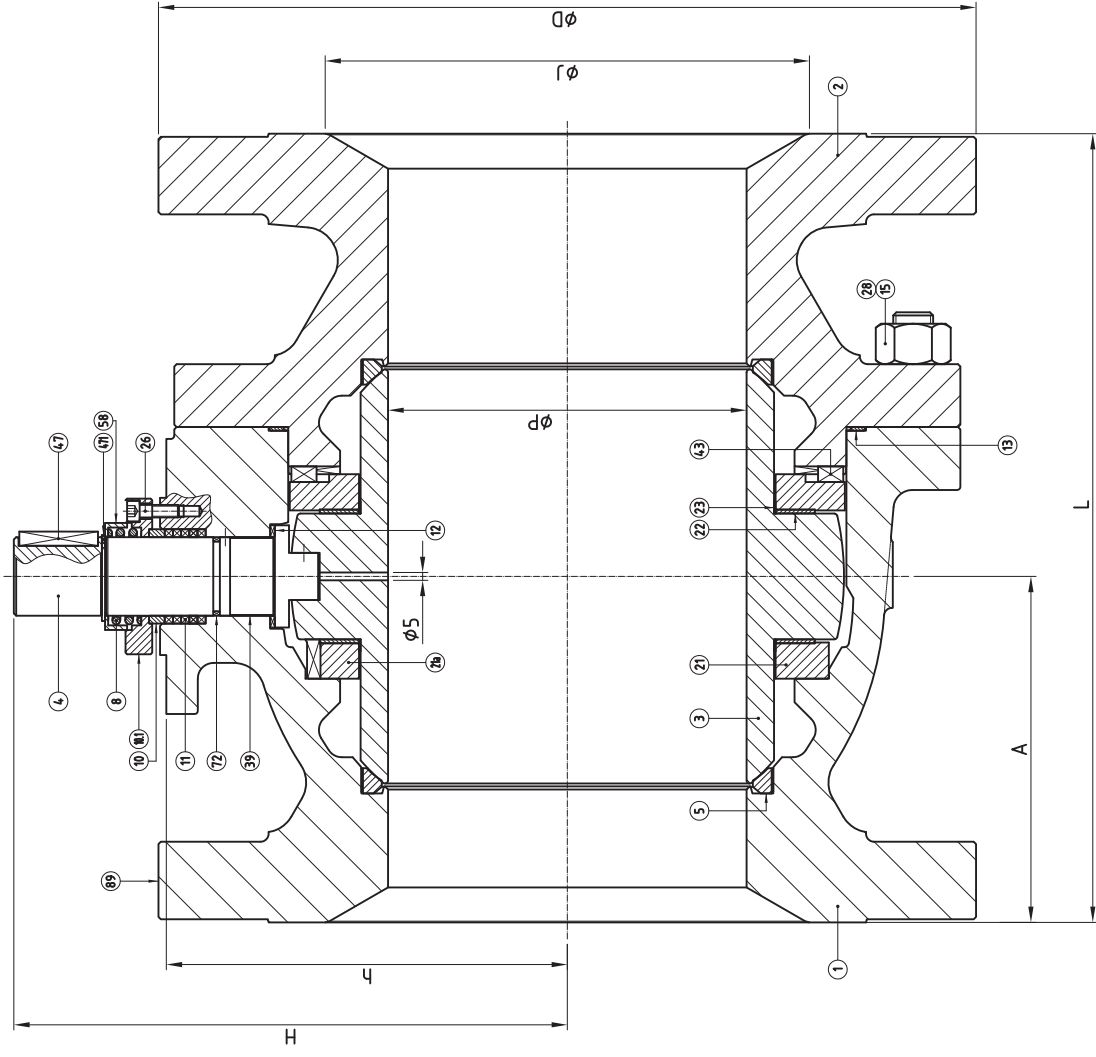
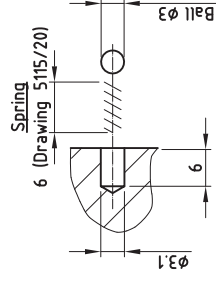
Fig.715 DN-12" A.I.T. Class-150 RF RB
 GENERAL DIMENSIONS
 FREE STEM

Ref: ---
 Drawing n°: 11962

This drawing is our property. It is strictly forbidden to use the drawing, to give it to third parties or to reproduce it totally or partially without our permission.

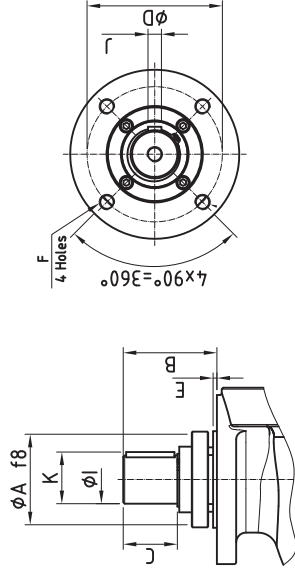
DN	L	φD	φP	φJ	A	h	H
12"	502	520	228	305	220	255	352

Antistatic Detail



BALL VALVES STEM DIMENSIONS							
DN	φA	B	C	φD	E	F	K
12"	100	97	56	140	4	M16 Ø50	14
							53.5
							4.80

Top mounting detail



(*) RECOMMENDED SPARE PARTS

POS.	QUAN.	DENOMINATION	MATERIAL	DRAWING N°.
2		PLASTIC CAP	PLASTIC	
471	1	RETAINER	A 276 Tp.304	
89	1	IDENTIFICATION PLATE	FKM	*
72	1	"O" RING	CARBON ST.	
58	1	SPRING PROJECTION	A 276 Tp.316	
47	2	KEY	A 276 Tp.316	
43	2	KEY	25% G.F. + TFM	
39	1	STEM BUSHING	A 194 Gr. 2HM. ZINC. + DICHROMATED	
28	16	NUT	8.8 ZINC PLATED	*
26	4	BOLT	PTFE	*
23	2	BEARING	PTFE + 50% S.S.	*
22	2	TRUNNION BEARING	CARBON ST. + E.N.P.	
21a	1	BALL TRUNNION	CARBON ST. + E.N.P.	
21	1	BALL TRUNNION	A 193 Gr. B7M. ZINC. + DICHROMATED	
15	16	STUD	AI51 316I + GRAPHITE	*
13	1	BODY CONNECTOR SEAL	25% G.F. + PTFE	*
12	1	STEM THRUST SEAL	GRAPHITE	*
11	5	GLAND PACKING	CARBON ST.	
10.1	1	GLAND	A 479 Tp.303	
10	1	GLAND	CARBON ST.	
8	1	SPRING	PTFE	*
5	2	SEAT RING	A 479 Tp.316	
4	1	STEM	A 351 Gr. CF8M	
3	1	BALL	A 216 Gr. WCB	
2	1	BODY CONNECTOR	A 216 Gr. WCB	
1	1	BODY		

0	First issue								
Rev. Modification		Drawn	02.08.2017	L.D.					
Dimensions		Checked	02.08.2017	J. Rubio					
Weight:		Appr. Eng.							
Substitutes:		Scale:							
Substitutes by:									
		Date	08/2017	L.D.					
		Nam.							
		Approv.							

JC Valves
 FÁBRICA DE VÁLVULAS, S.A.
 08830 Sant Bot de Llobregat (Spain)
 Tel. + (34) 936 54 86 // Fax + (34) 936 54 86 95
 e.mail: technical@jc-valves.com

Ref.:
Fig.1730 DN-12" A.I.T. Class-300 RF RB
 GENERAL DIMENSIONS
 FREE STEM

Drawing n°:
11963

This drawing is our property. It is strictly forbidden to use the drawing, to give it to third parties or to reproduce it totally or partially without our permission.