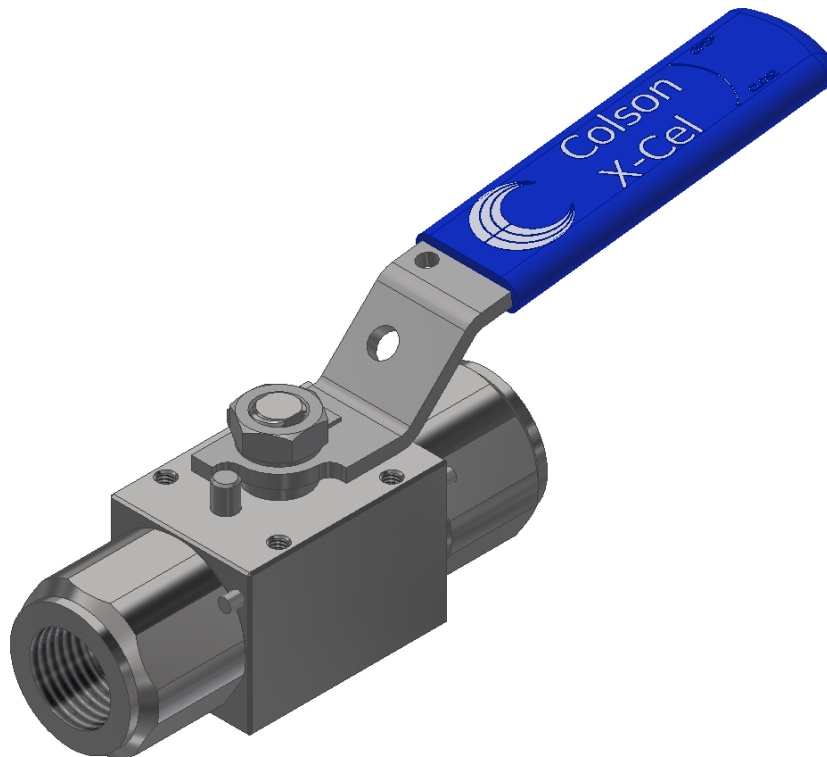


# BHSX Series High Pressure Ball Valves



Colson X-Cel Ltd have extensive knowledge and experience in small bore ball valve technology. The “BH” range has an incredible reference list in a multitude of applications and has successfully served in the oil and gas industry for over 25 years. Colson X-Cel Ltd design, machine, assemble, test and quality assure all products in-house at the Advanced Manufacturing Park in the UK.

The “BHSX” series is a quality engineered, soft seated, three piece, precision, high pressure ball valve rated up to 10,000 psi. The range is manufactured in bar stock materials and certified to NACE with an internally loaded, anti-blow out stem. Available in sizes from 1/4” to 1” with a screwed NPT thread\* and panel mount holes as standard, the “BHSX” series is a floating ball design with a smooth 90 Degree operation and ultra-light torque.

#### TECHNICAL DATA

##### Materials:

316 Stainless Steel — A479 UNS S31600

##### Inlet Connection:

1/2” NPT Female

##### Outlet Connection:

1/2” NPT Female

##### Pressure Rating:

Up to 10,000psi

##### Operating Temperature Range:

-46°C to 200°C (-51°F to 392°F)

##### Bore Sizes:

10mm, 13mm & 19mm

#### DESIGN FEATURES

High Pressure design rated up to 10,000psi

Designed to MSS-SP-99

Tested to API 598 — Leakage Rate A

Full material traceability

Panel Mount

Female NPT connections (1/4” - 1”)

Low operating torque

Internally loaded blowout proof stem

Lockable & Actuator options available\*

Other connection types available\*

Exotic materials available\*

\*Contact Sales Department

Colson X-Cel Ltd  
R-evolution @ the AMP  
Unit 3 Brindley Way  
Rotherham  
S60 5FS

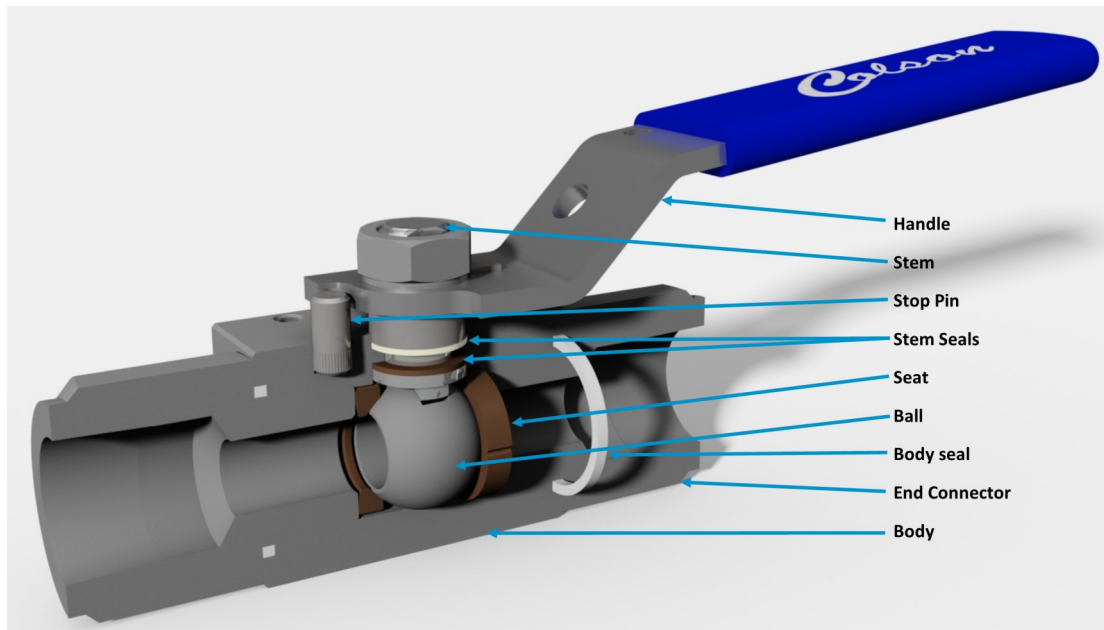
Phone: +44 (0) 114 243 2898

\*E-mail: [sales@colson.co.uk](mailto:sales@colson.co.uk)

# BHSX Series High Pressure Ball Valves

## BHSX 10mm, 13mm & 19mm Quarter Turn Ball Valve

The 10mm & 13mm bore versions of the BHSX series valves are supplied with a straight through, fully roddable bore. A low operating torque is achieved using a super finished (made in-house) ball and fully supported, cantilever PEEK seats. The body seal is PTFE to provide leak tight sealing capability across a wide range of pressures, temperatures and process media.



### Ball Valve Components Body & Trim Materials

Item	Description	Material
1	Body	A479 - UNS S31600
2	Handle	UNS S31600
3	Stop pin	UNS S31600
4	Stem Seal	PTFE/PEEK
5	Handle Sleeve	PVC
6	Spacer	UNS S31600
7	Nut	A4 St/Steel
8	Tab Washer	UNS S31600
9	Seat	PEEK - 450G
10	Ball	A479 - UNS S31600
11	Spindle	A479 - UNS S31600
12	End Connector	A479 - UNS S31600
13	Bonnet	A479 - UNS S31600
14	Thrust Washer	PEEK - 450G
15	Body Seal	PTFE

#### APPLICATIONS

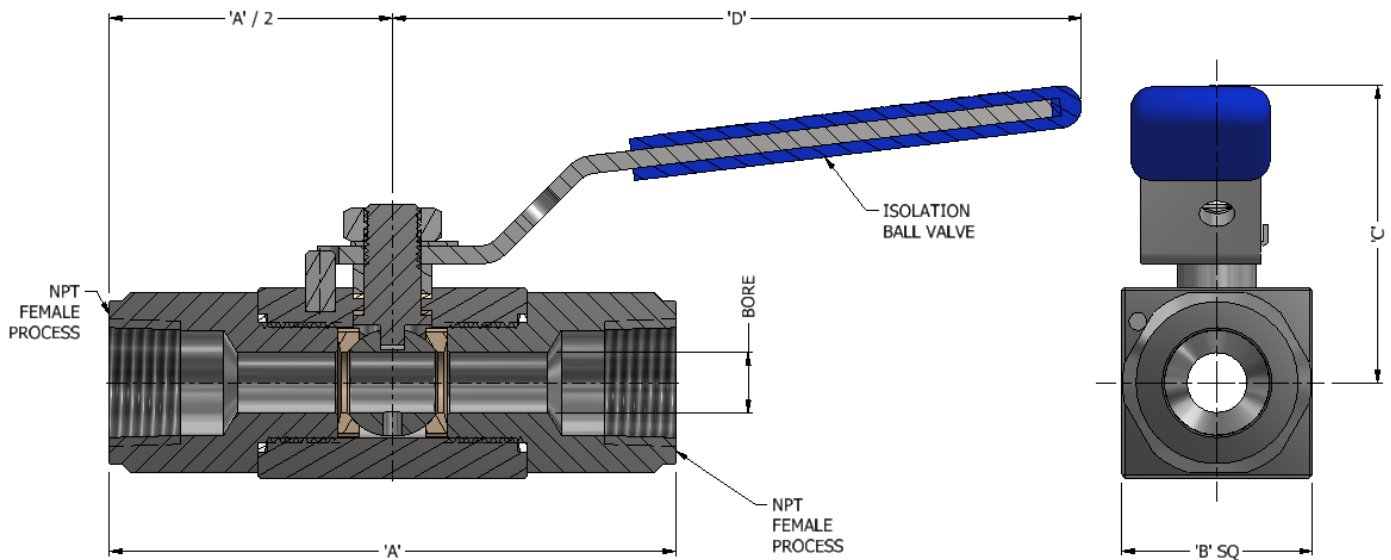
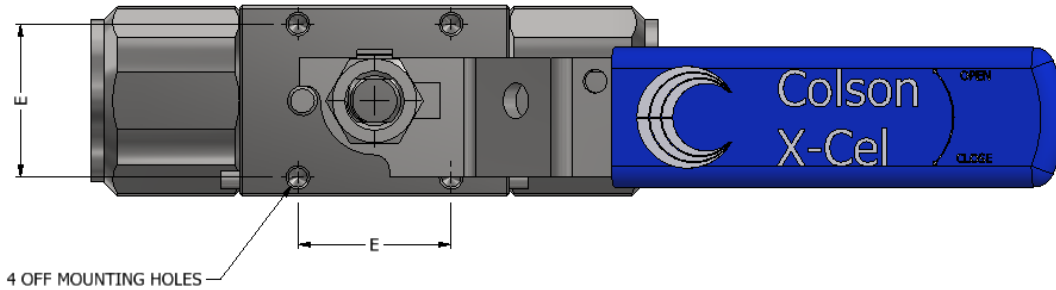
- Wellhead Control Panels
- Gauge Isolation
- Chemical Injection Skids
- Lube Oil Systems
- Methanol Injection Packages
- Chemical Distribution Panels
- Waste Water Treatment Systems
- Oil, Water and Sand Separation Systems
- Produced Water Treatment Packages
- Pump Packages

Colson X-Cel Ltd  
R-evolution @ the AMP  
Unit 3 Brindley Way  
Rotherham  
S60 5FS

Phone: +44 (0) 114 243 2898  
E-mail: sales@colson.co.uk

# BHSX Series High Pressure Ball Valves

## BHSX Weights and Dimensions



### BHSX

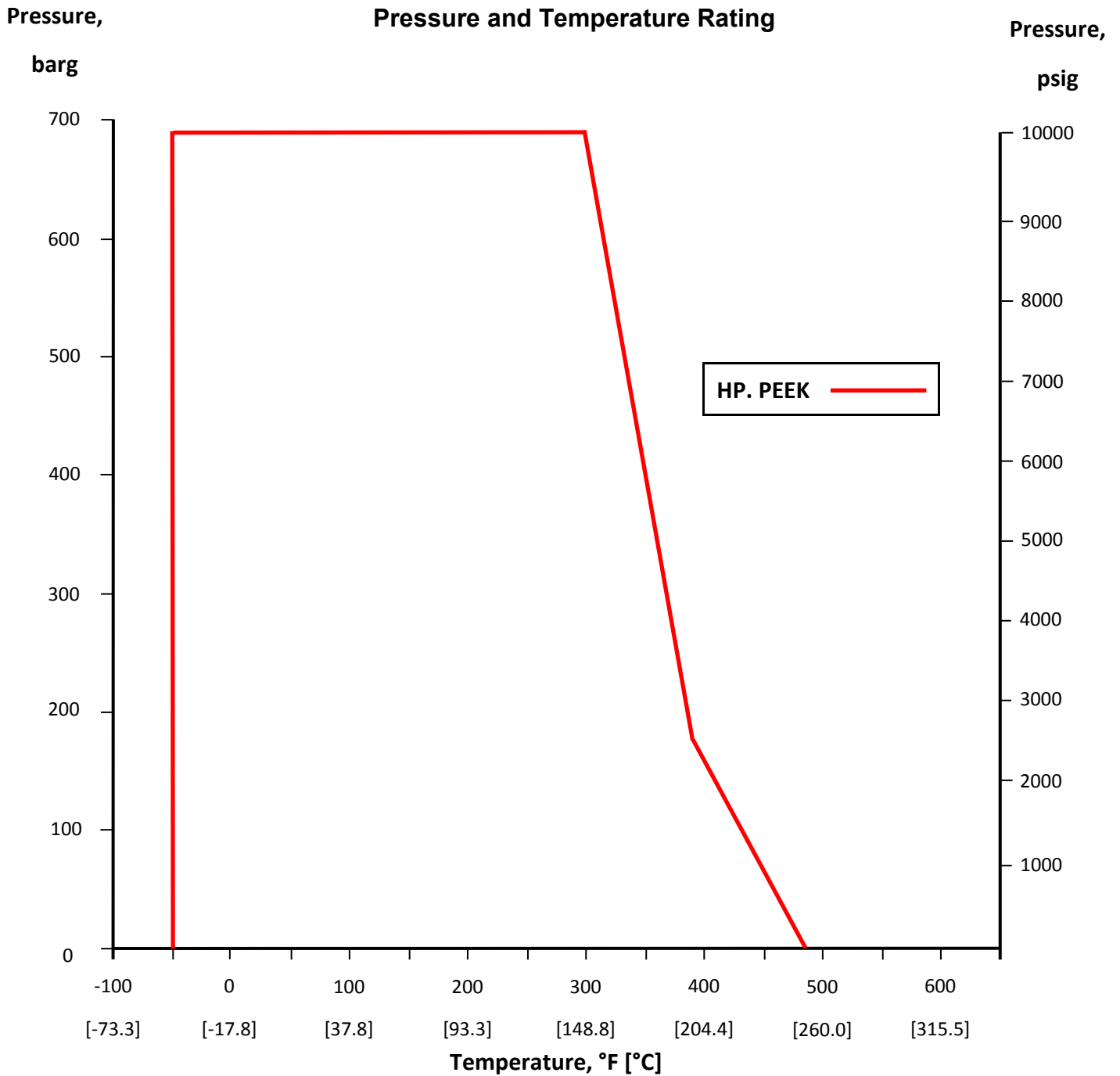
Part Number	Connection Size	Bore	Face to Face (A)	Body Size (B)	Handle Height (C)	Handle Length (D)	Mounting Hole Size	Mounting Centres (E)	Weight	Pressure
BHSX1008NFS-PM	1/4"	10mm	80mm	31.8mm	50mm	116mm	4 x M4x0.7	25.5mm	0.5kg	10,000psi
BHSX1010NFS-PM	3/8"	10mm	86mm	31.8mm	50mm	116mm	4 x M4x0.7	25.5mm	0.5kg	10,000psi
BHSX1015NFS-PM	1/2"	10mm	94mm	31.8mm	50mm	116mm	4 x M4x0.7	25.5mm	0.6kg	10,000psi
BHSP1320NFS-PM	3/4"	13mm	99mm	38.1mm	52mm	116mm	4 x M5x0.8	25.5mm	0.8kg	6,000psi <sup>^</sup>
BHSP1925NFS-PM	1"	19mm	121mm	50.8mm	70mm	195mm	4 x M6x1	35.4mm	1.9kg	6,000psi <sup>^</sup>

Colson X-Cel Ltd  
R-evolution @ the AMP  
Unit 3 Brindley Way  
Rotherham  
S60 5FS

Phone: +44 (0) 114 243 2898  
E-mail: sales@colson.co.uk

<sup>^</sup>Pressure down-rated due to connection threads

# BHSX Series High Pressure Ball Valves



Colson X-Cel Ltd  
 R-evolution @ the AMP  
 Unit 3 Brindley Way  
 Rotherham  
 S60 5FS

Phone: +44 (0) 114 243 2898  
 E-mail: [sales@colson.co.uk](mailto:sales@colson.co.uk)

Note:  
 ASME Class ratings based on ASME B16.5 Table A-2 - Rated Ceiling Pressure (psi)  
 For material specific pressure rating - see relevant tables in ASME B16.5