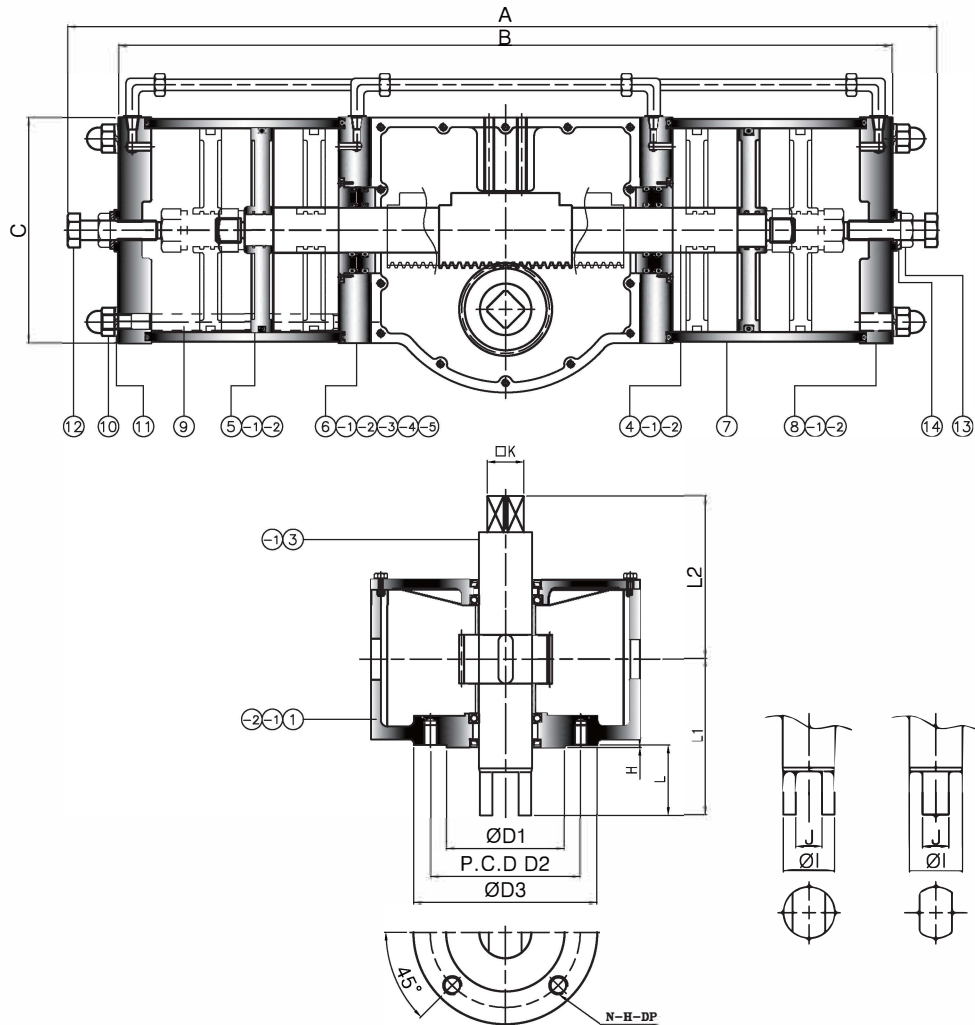


# AIR CYLINDER 135°

## Rack-Pinion Type



### Dimension

UNIT : mm

DIM MODEL	BASE PART						EXTERNAL PART								
	FLANGE	ØD1	P.C.D		ØD3	H	A	B	C	Ø1	J	□K	L	L1	L2
			ØD2	N-H-DP											
SB-50AIR	F-10	70	102	4-M10-17	125	3	385	324	68	20	12	15	35	66	129
SB-80AIR	F-12	85	125	4-M12-20	150		560	476	107	34	16	21	50	118	186
SB-120AIR							655	563	155	39	16	25	65	163	202
SB-160AIR	F-14	100	140	4-M16-25	175		580	606	175	39	16	25	80	170	212
SB-200AIR	F-16	130	165	4-M20-30	210		820	704	216	39	16	25	95	205	218
SB-250AIR	F-25	200	254	8-M16-32	300		1170	1050	277	49	20	33	105	212	221

# AIR CYLINDER 135°

## Part List



MATERIAL ACCORDING TO ASTM			
NO	PART NAME	MATERIAL	REMARK
1	Body	AC4C	
-1	O-Ring	NBR	
-2	Du-Bush	BSC2	
2	Body-Cover	AC4C	
-1	O-Ring	NBR	
-2	O-Ring	NBR	
-3	Du-Bush	BSC2	
-4	HEX. Bolt	SUS304	
-5	Spring Washer	SUS304	
3	STEM	A576-1045	
-1	Key	A576-1045	
4	Rack	A576-1045	
-1	HEX. Nut	SUS304	
-2	Spring Washer	SUS304	
5	Piston	AC4C	
-1	O-Ring	NBR	
-2	O-Ring	NBR	
6	Pipe Cap	AC4C	
-1	O-Ring	NBR	
-2	O-Ring	NBR	
-3	O-Ring	NBR	
-4	O-Ring	NBR	
-5	Du-Bush	BSC2	
7	Cylinder Tube	A120	
8	Pipe Cover	AC4C	
-1	O-Ring	NBR	
-2	O-Ring	NBR	
9	Rod Bolt	A576-1045	
10	Cap Nut	A576-1045	
11	Spring Washer	A576-1045	
12	HEX. Bolt	SUS304	
13	HEX. Nut	SUS304	
14	Plane Washer	SUS304	

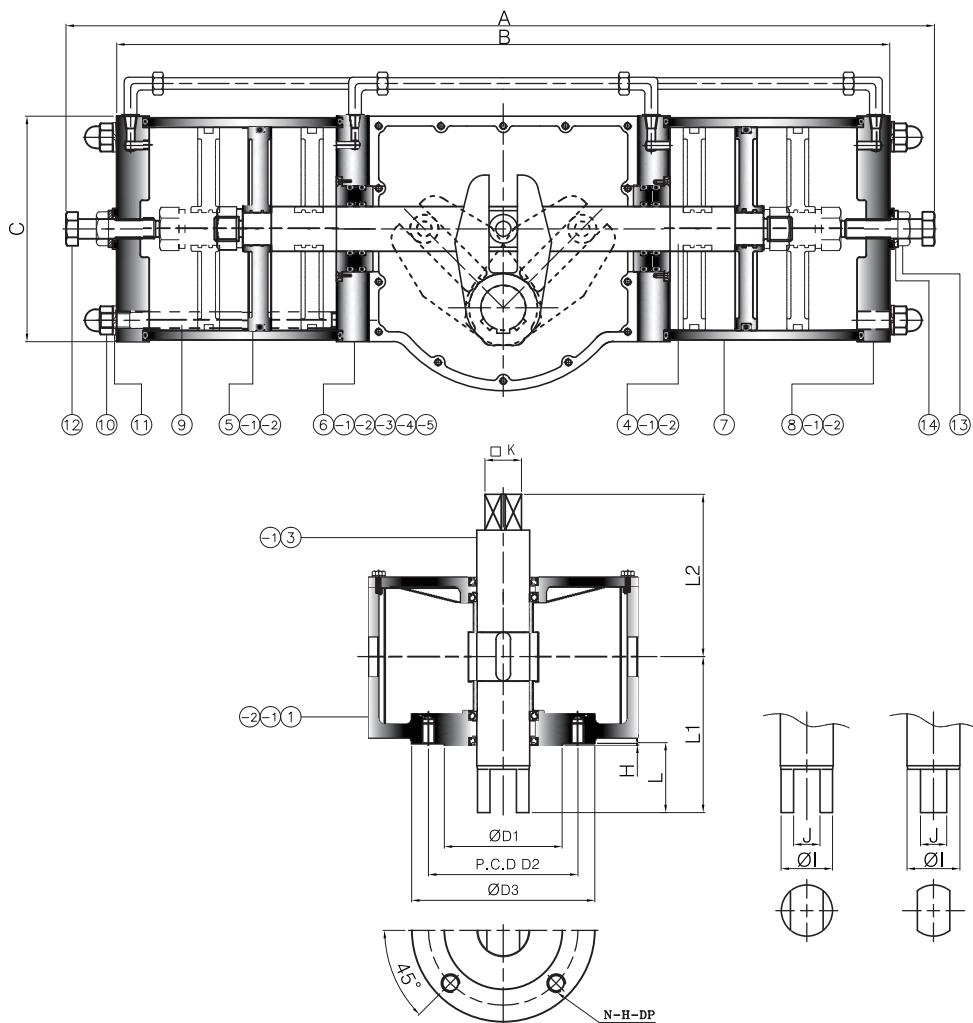
## Selection Chart

MODEL	Double Acting 1/4 Turn Actuators									
	Diameter of Cylinder (mm)	Torque Capacity (N · m)								
		2bar	3bar	4bar	5bar	6bar	7bar	8bar	9bar	10bar
SB-50AIR	50	10	14	19	24	29	34	38	43	48
SB-80AIR	80	39	59	79	98	118	138	158	177	197
SB-120AIR	125	108	162	216	270	325	379	433	487	541
SB-160AIR	160	201	301	402	502	603	703	804	904	1,004
SB-200AIR	200	369	554	739	923	1,108	1,292	1,477	1,662	1,846
SB-250AIR	250	933	1,399	1,866	2,332	2,798	3,265	3,731	4,197	4,664

Size and component specification in this catalogue are subject to change without prior notice for quality improvement.

# AIR CYLINDER 90°

## Scotch-Yoke Type



### Dimension

UNIT : mm

MODEL	DIM	BASE PART					EXTERNAL PART									
		FLANGE	ØD1	P.C.D		ØD3	H	A	B	C	ØI	J	□K	L	L1	L2
				ØD2	N-H-DP											
SB-50AIR	F-10	70	102	4-M10-17	125	3	385	324	68	20	12	15	35	66	129	
SB-80AIR	F-12	85	125	4-M12-20	150		560	476	107	34	16	21	50	118	186	
SB-125AIR							655	563	155	39	16	25	65	163	202	
SB-160AIR	F-14	100	140	4-M16-25	175		580	606	175	39	16	25	80	170	212	
SB-200AIR	F-16	130	165	4-M20-30	210		820	704	216	39	16	25	95	205	218	
SB-250AIR	F-25	200	254	8-M16-32	300		1170	1050	277	49	20	33	105	212	221	

# AIR CYLINDER 90°

## Part List



MATERIAL ACCORDING TO ASTM			
NO	PART NAME	MATERIAL	REMARK
1	Body	AC4C	
-1	O-Ring	NBR	
-2	Du-Bush	BSC2	
2	Body-Cover	AC4C	
-1	O-Ring	NBR	
-2	O-Ring	NBR	
-3	Du-Bush	BSC2	
-4	HEX. Bolt	SUS304	
-5	Spring Washer	SUS304	
3	STEM	A576-1045	
-1	Key	A576-1045	
4	Rack	A576-1045	
-1	HEX. Nut	SUS304	
-2	Spring Washer	SUS304	
5	Piston	AC4C	
-1	O-Ring	NBR	
-2	O-Ring	NBR	
6	Pipe Cap	AC4C	
-1	O-Ring	NBR	
-2	O-Ring	NBR	
-3	O-Ring	NBR	
-4	O-Ring	NBR	
-5	Du-Bush	BSC2	
7	Cylinder Tube	A120	
8	Pipe Cover	AC4C	
-1	O-Ring	NBR	
-2	O-Ring	NBR	
9	Rod Bolt	A576-1045	
10	Cap Nut	A576-1045	
11	Spring Washer	A576-1045	
12	HEX. Bolt	SUS304	
13	HEX. Nut	SUS304	
14	Plane Washer	SUS304	

## Selection Chart

MODEL	Double Acting 1/4 Turn Actuators									
	Diameter of Cylinder (mm)	Torque Capacity (N · m)								
		2bar	3bar	4bar	5bar	6bar	7bar	8bar	9bar	10bar
SB-50AIR	50	10	14	19	24	29	34	38	43	48
SB-80AIR	80	39	59	79	98	118	138	158	177	197
SB-120AIR	125	108	162	216	270	325	379	433	487	541
SB-160AIR	160	201	301	402	502	603	703	804	904	1,004
SB-200AIR	200	369	554	739	923	1,108	1,292	1,477	1,662	1,846
SB-250AIR	250	933	1,399	1,866	2,332	2,798	3,265	3,731	4,197	4,664

Size and component specification in this catalogue are subject to change without prior notice for quality improvement.