

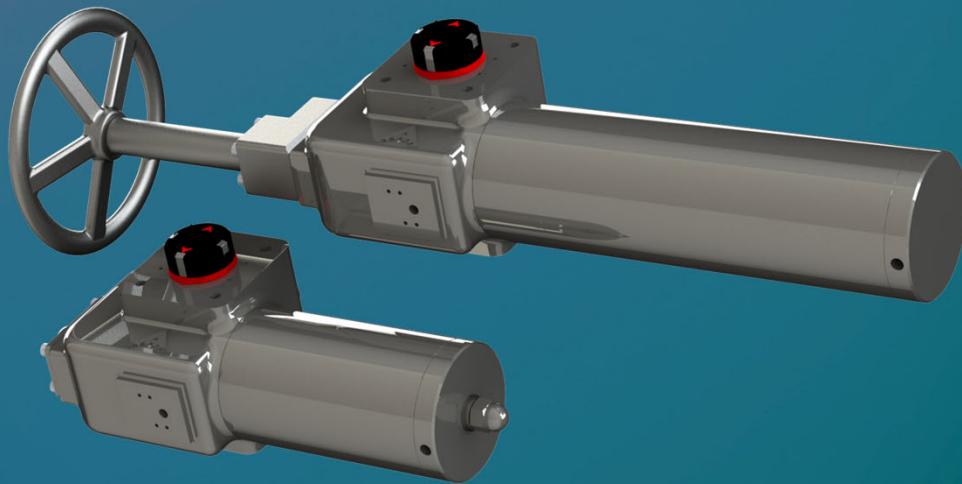


COMPACT ACTUATORS

Stainless Steel 316

SY01IK SERIES

TECHNICAL FEATURES



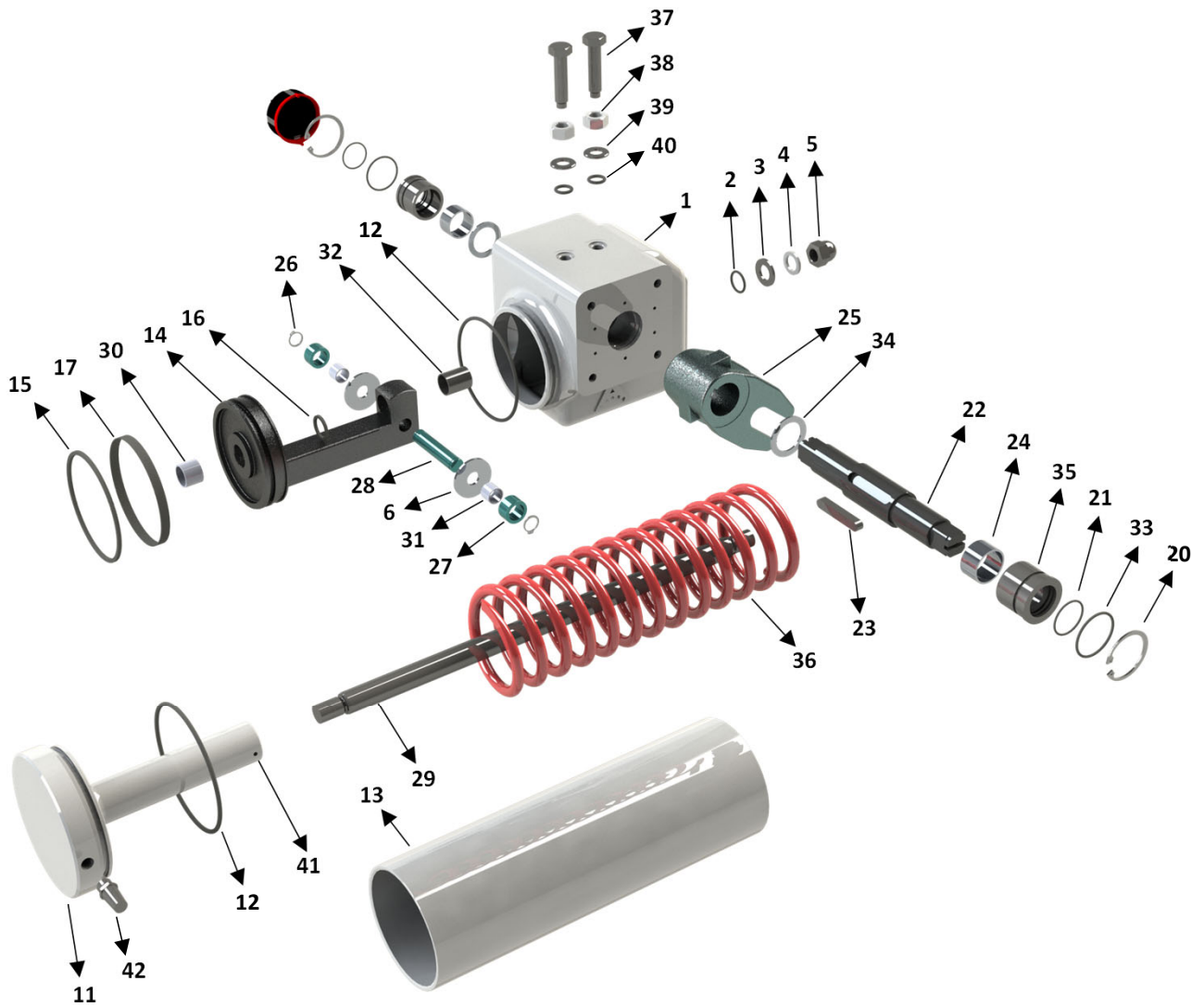
Global Supply Line is Australian agent and stockist for Actreg.
Full stock list at our website www.globalsupplyline.com.au
Contact email: sales@globalsupplyline.com.au

Manufacturing program:



Quality Management:





PARTS & MATERIALS

Item	Description	Material	Item	Description	Material
1	Body	CF8M	25	YOKE	LCC
2	O-Ring	Nitrile	26	Retaining Ring DIN – 471	F141 + Nickel Plated
3	Washer DIN - 125	AISI – 316	27	Bearing	AISI – 304
4	Washer Nord - Lock	INOX	28	Piston Shift	AISI – 431
5	Cap Nut DIN – 1587	A4-70	29	Tension Bar	C-45 (F-1140) – Cr
6	Soft Pinion Washer	PP 6.6	30	Lubricated Bearing	S/F
11	End Cap	CF8M	31	Lubricated Bearing	S/F
12	O-Ring	Nitrile	32	Lubricated Bearing	S/F
13	Cylinder	AISI-316	33	O-Ring	Nitrile
14	Piston	LCC	34	Soft Pinion Washer	PP 6.6
15	Quad – Ring Seal	NBR	35	Shaft Bearing	AISI – 316
16	Quad – Ring Seal	NBR	36	Spring	DIN 17223 – C-13
17	SLYD Ring	PTFE – Br	37	Set Screw	A4 – 70
20	Retaining Ring DIN - 472	AISI-316	38	Nut DIN – 934	A4 – 70
21	O-Ring	Nitrile	39	Washer DIN – 125	AISI – 316
22	Shaft	XM-19 / 17-4PH*	40	O-Ring	Nitrile
23	Key DIN-6885-A	F-1140	41	Spring PIN DIN -14812	A4-70
24	Lubricated Bearing	S/F	42	Porous Bronze Silencer G ¼ BSP	AISI-304

* 17-4PH only for model SK07



SK (SY01K) Series Torques DA & SR

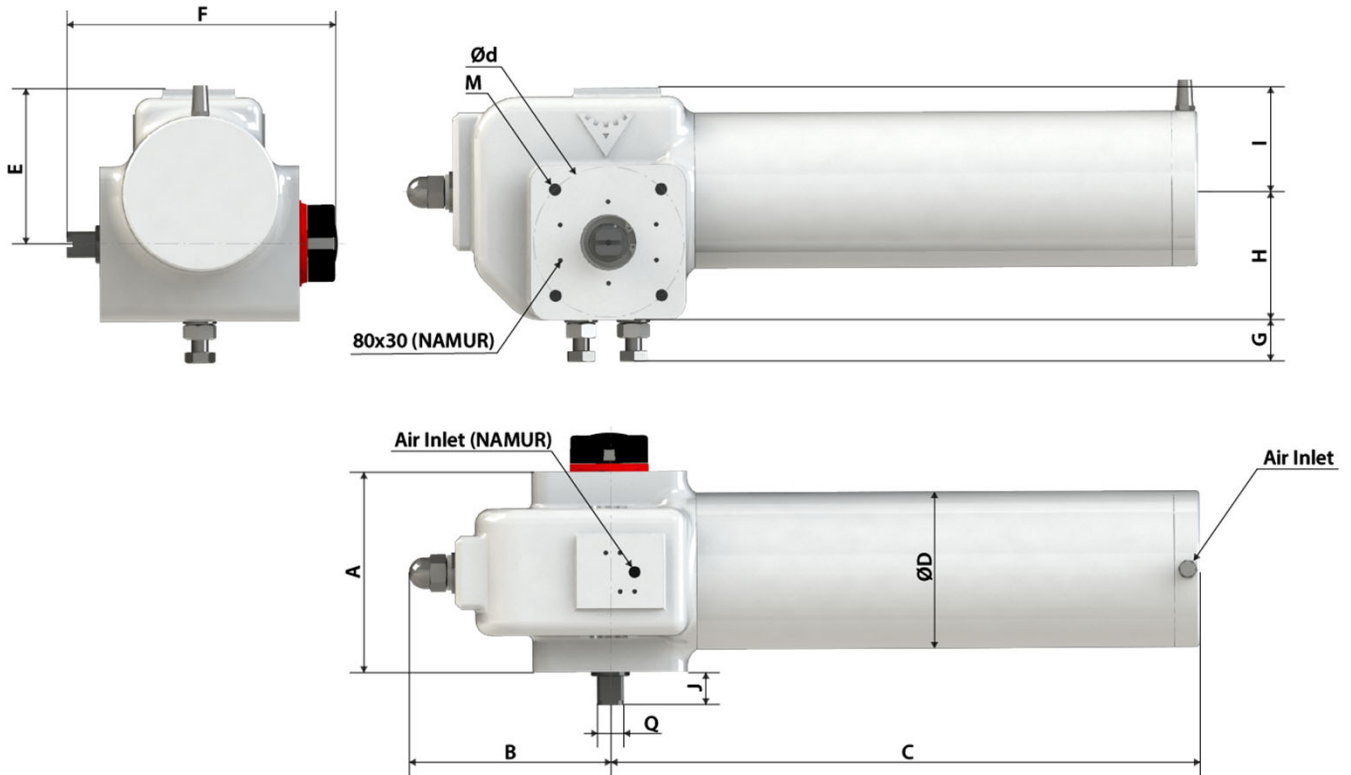
Rev.4	TORQUE ACTUATORS in Nm																							ISO 5211	ISO 5211 MAX	
TYPE	DOUBLE ACTING																								ISO 5211	ISO 5211 MAX
	3 Bar			4 Bar			4.5 Bar			5 Bar			5.5 Bar			6 Bar			7 Bar			8 Bar				
	Start	Running	End	Start	Running	End	Start	Running	End	Start	Running	End	Start	Running	End	Start	Running	End	Start	Running	End	Start	Running	End		
SY01K07DA	85	54	86	113	73	116	127	82	131	141	91	145	155	100	159	169	109	174	198	127	203	226	145	231	F07	250
SY01K10DA	168	106	167	224	141	222	252	159	250	281	177	277	309	195	305	337	212	333	392	247	389	449	283	444	F10	500
SY01K12DA	341	213	338	455	284	451	511	320	507	568	355	563	625	391	620	682	426	677	796	497	789	909	568	902	F12	1000
* SY01K14DA	640	407	659	853	542	878	960	610	988	1067	678	1098	1173	746	1207	1280	814	1317	1493	949	1536	1706	1085	1756	F14	2000

TYPE	SINGLE ACTING (4 Bar)																								SPRING RETURN (4 Bar)		
	4 Bar			4.5 Bar			5 Bar			5.5 Bar			6 Bar			7 Bar			8 Bar			End Closing	Running	Start Closing			
	Start	Running	End	Start	Running	End	Start	Running	End	Start	Running	End	Start	Running	End	Start	Running	End	Start	Running	End	Start	Running	End			
SY01K07SR4	78	34	43	93	43	58	107	51	73	123	60	88	138	68	104	167	86	134	198	104	164	198	104	164	42	34	80
SY01K10SR4	166	69	75	196	86	105	226	103	134	256	119	163	285	136	193	344	170	251	404	203	310	404	203	310	70	65	159
* SY01K12SR4	343	136	137	403	170	196	463	203	256	523	237	315	583	271	375	703	338	494	823	406	613	823	406	613	137	134	339
SY01K14SR4	623	253	279	736	317	395	848	382	511	961	447	627	1074	511	743	1299	639	975	1524	769	1207	1524	769	1207	277	262	647

TYPE	SINGLE ACTING (6 Bar)																								SPRING RETURN (6 Bar)		
	4.5 Bar			5 Bar			5.5 Bar			6 Bar			7 Bar			8 Bar			End Closing	Running	Start Closing						
	Start	Running	End	Start	Running	End	Start	Running	End	Start	Running	End	Start	Running	End	Start	Running	End	Start	Running	End	Start	Running	End			
SY01K07SR6	60	26	32	75	35	48	90	44	63	105	52	78	135	69	108	164	86	139	164	86	139	164	86	139	74	51	105
SY01K10SR6	138	53	42	168	69	75	198	86	108	227	103	142	287	137	192	346	170	251	346	170	251	346	170	251	128	98	218
SY01K12SR6	286	105	84	346	139	143	406	172	203	466	206	263	586	274	382	706	341	501	706	341	501	706	341	501	254	199	451
* SY01K14SR6	549	193	143	662	257	258	775	322	374	887	387	490	1112	516	722	1338	644	954	1338	644	954	1338	644	954	463	386	900

* Was SY01K15 (F12), replaced by SY01K14. Identical except F14

NOTES:
- SR5 not made



DIMENSIONS

	A	B'	C	ØD	E	F	G	H	I	Ød	M	Q	J	AIR INLET
SY01K07 DA	96	102	201	90	85	155	25	68	62,5	70	M8	12	30	G1/4"
SY01K07 SR			302											
SY01K10 DA	120	135	250	115	107	179	33	78,5	77,5	102	M10	14	30	G1/4"
SY01K10 SR			305											
SY01K12 DA	160	164	346	130	128,25	220	33	107	86	125	M12	22	30	G1/4"
SY01K12 SR			492											
SY01K15 DA	176	191	395	165	161	235,5	45	141	109	140	M16	27	30	G1/4"
SY01K15 SR			561											

GENERAL CHARACTERISTICS

DESIGN STANDARDS	Serie ADA Serie ASR	Actuator Actuator
Mounting of solenoid valves	NAMUR Std.	
Mounting of devices	NAMUR VDI	NAMUR VDE 3845 Std.
Coupling according	ISO 5211	DIN 3337
Marking	Ex II 2 G D c	According to EN 15714-3

TESTS AND CERTIFICATES

Quality assurance	ISO 9001	SIL3 Capable (In 1oo2 Configuration)
-------------------	----------	--------------------------------------

Max. Pressure	Max. Pressure	Rotation	Screw stroke Adjustment	Operating Temperature (°C)			
				STD (standard)	HT (high temp.)	LT (low temp.)	EL (ex. low temp)
SY01K07	8 bar	90° ±5°	For 1° Need ¼ Turn	NBR "O" Ring	FPM "O" Ring	Silicone "O" Ring	Silicone "O" Ring
SY01K10				-30° to +100°	-15° to +150°	-40° to +80°	-60° to 80°
SY01K12							
SY01K15							



For further information visit our website

www.actreg.com



Global Supply Line is Australian agent and stockist for Actreg.
Full stock list at our website www.globalsupplyline.com.au
Contact email: sales@globalsupplyline.com.au



ACTREG, S.A.U. (Headquarters)

Carrer de l'Energia, 15-25, naves 1-2
Pol. Ind. Barnasud
08850 Gavá
Barcelona (Spain)
Phone +34 936 614 410
actreg@actreg.com

ACTREG do Brasil, Sorocaba (SP)

Avenida Liberdade, 4565
Bairro Iporanga - Sorocaba - SP
CEP 18.087-170
Sao Paulo, Brasil
Phone: 0055 15 3228 1010
actreg@actregdobrasil.com.br

ACTREG UK, LTD

Units 2 & 3 Henson Close
Telford Way Industrial Estate
Kettering Northants NN 16 8PZ
United Kingdom
Phone: 0044 1536412525
sales@actreg.co.uk

ACTREG Shanghai Actuator Co. Ltd.

No. 125, Ji Ye Road
SheShan Industrial Zone
Songjiang District, Shanghai, China
P.R.C. 201602
Phone: +86 21 57796818
sale@actreg.net.cn

ACTREG North America

20675 Boul. Industriel
Ste. Anne-de-Bellevue, Québec
H9X 4B2 Canada
Toll Free: 1 800 667 4819
Phone: 001 514 457 5777
trueline.sales@trueline.ca