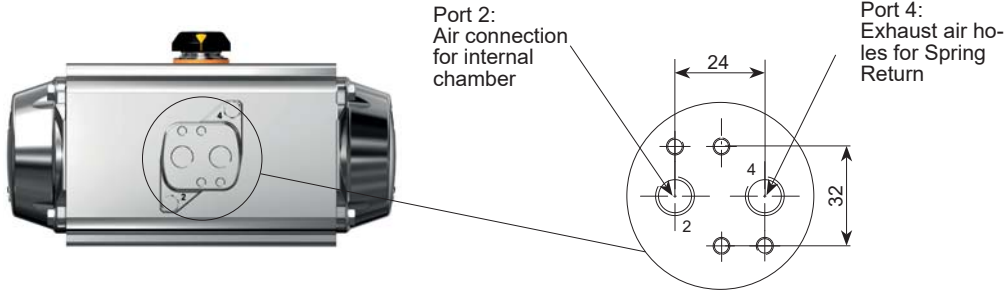


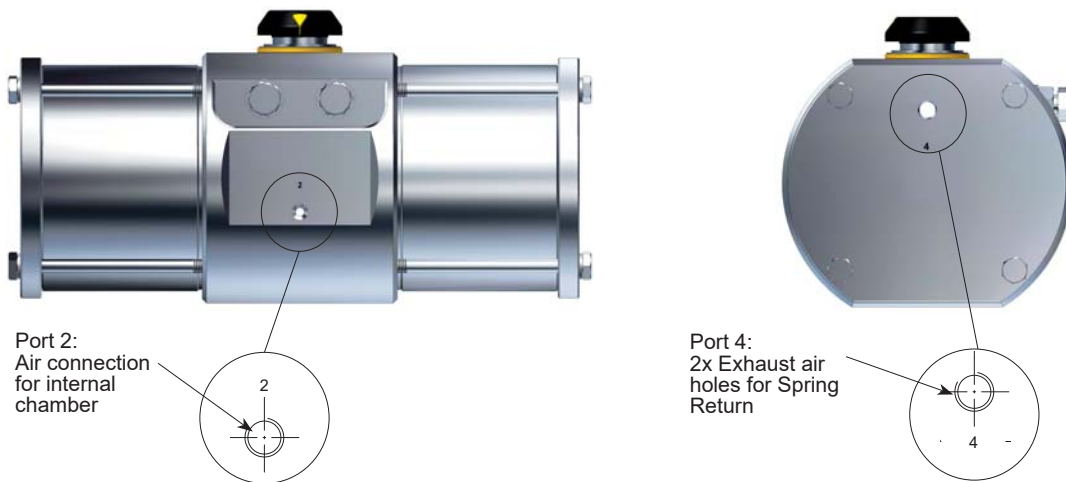


## Spring Return Fast Acting Actuators Stainelss Steel "S" Series Construction and Technical data for models FA SS AT204 => FA SS AT654

MODELS FA SS AT204 =>FA SS AT404



MODELS FA SS AT454 =>FA SS AT654



DIMENSIONS IN MM

The air connections for exhaust air shall be protected by proper filters in order to prevent the inside of actuator from the external dirt or/and aggressive substances.

### TECHNICAL DATA AND OPERATING TIMES:

ACTUATOR MODEL	* AIR CONN. SIZE PORT 2	* AIR CONN. SIZE PORT 4	AIR BORE (mm)		SUPPLY SYSTEM MINIMUM CV	** MINIMUM OPERATING TIME (sec.)	
			PORT 2	PORT 4		Spring Return	
						Opening	Closing
FA SS AT204 S	G 1/4"-ISO228	G 1/4"-ISO228	ø5,5	ø3,7	0.7	0,22	0,18
FA SS AT254 S	G 1/4"-ISO228	G 1/4"-ISO228	ø6	ø4	0.7	0,3	0,25
FA SS AT304 S	G 1/4"-ISO228	G 1/4"-ISO228	ø7	ø4,5	0.7	0,4	0,35
FA SS AT404 S	G 1/4"-ISO228	G1/4"-ISO228	ø9	ø5,5	0.7	0,8	0,45
FA SS AT454 S	G 1/4"-ISO228	G1/4"-ISO228	ø10	ø11	1.2	0,9	0,6
FA SS AT554 S	G 3/8"-ISO228	G1/4"-ISO228	ø12	ø11	1.2	1,3	0,8
FA SS AT654 S	G 1/2"-ISO228	G 3/8"-ISO228	ø15	ø18,5	1.5	2,1	1,4

\* also available with NPT threads

### TEST CONDITIONS:

\*\* The **MINIMUM** Operating time indicated is obtained in the following test conditions:

(1) Room Temperature, (2) Spring Return configuration S12 / Stroke: 90°, (3) Air supply system with CV higher than actuators ports, (4) Medium: clean air, (5) Air supply pressure: 6bar (87 Psi), (6) Actuator without external resistance load.

**Cautions:** The indicated operating times are strictly related to the above test conditions. The operating times on the field applications can be different depending to the working conditions.

### NOTES:

- For other dimensions see catalogue n° SS-E-06 or technical data sheet n° 2.1.4.1.
- For maintenance and installation see manual instruction EB AT-RP-SS EN .
- Fast Acting actuator cycle life may result lower than standard actuators in relation to field working conditions.